

E46 M3 FASTENERS TORQUE SPECIFICATIONS

Updated April 10th, 2016

Always check latest version before using the document

GENERAL TORQUE SPECS PER BOLT SIZE

| Thread size | Nm | Lb-ft | Lb-in | Thread size | Nm | Lb-ft | Lb-in |
|-------------|------|-------|-------|--------------|-----|-------|-------|
| M4 8.8 | 2,9 | 2,1 | 26 | M12 8.8 | 82 | 60,5 | 726 |
| M4 10.9 | 4,1 | 3,0 | 36 | M12 10.9 | 115 | 84,8 | 1 018 |
| M4 12.9 | 4,9 | 3,6 | 43 | M12 12.9 | 140 | 103,3 | 1 239 |
| M5 8.8 | 5,9 | 4,4 | 52 | M12x1.5 8.8 | 87 | 64,2 | 770 |
| M5 10.9 | 8,3 | 6,1 | 73 | M12x1.5 10.9 | 123 | 90,7 | 1 089 |
| M5 12.9 | 10 | 7,4 | 89 | M12x1.5 12.9 | 147 | 108,4 | 1 301 |
| M6 8.8 | 9,9 | 7,3 | 88 | M14 8.8 | 130 | 95,9 | 1 151 |
| M6 10.9 | 14 | 10,3 | 124 | M14 10.9 | 180 | 132,8 | 1 593 |
| M6 12.9 | 16,5 | 12,2 | 146 | M14 12.9 | 220 | 162,3 | 1 947 |
| M7 8.8 | 14,8 | 10,9 | 131 | M14x1.5 8.8 | 143 | 105,5 | 1 266 |
| M7 10.9 | 21,3 | 15,7 | 189 | M14x1.5 10.9 | 200 | 147,5 | 1 770 |
| M7 12.9 | 25,5 | 18,8 | 226 | M14x1.5 12.9 | 240 | 177,0 | 2 124 |
| M8 8.8 | 24 | 17,7 | 212 | M16 8.8 | 200 | 147,5 | 1 770 |
| M8 10.9 | 34 | 25,1 | 301 | M16 10.9 | 280 | 206,5 | 2 478 |
| M8 12.9 | 40 | 29,5 | 354 | M16 12.9 | 340 | 250,8 | 3 009 |
| M8x1 8.8 | 26 | 19,2 | 230 | M16x1.5 8.8 | 216 | 159,3 | 1 912 |
| M8x1 10.9 | 36 | 26,6 | 319 | M16x1.5 10.9 | 303 | 223,5 | 2 682 |
| M8x1 12.9 | 44 | 32,5 | 389 | M16x1.5 12.9 | 364 | 268,5 | 3 222 |
| M10 8.8 | 47 | 34,7 | 416 | M18 8.8 | 280 | 206,5 | 2 478 |
| M10 10.9 | 66 | 48,7 | 584 | M18 10.9 | 390 | 287,6 | 3 452 |
| M10 12.9 | 79 | 58,3 | 699 | M18 12.9 | 470 | 346,7 | 4 160 |
| M10x1 8.8 | 54 | 39,8 | 478 | M18x1.5 8.8 | 313 | 230,9 | 2 770 |
| M10x1 10.9 | 75 | 55,3 | 664 | M18x1.5 10.9 | 440 | 324,5 | 3 894 |
| M10x1 12.9 | 91 | 67,1 | 805 | M18x1.5 12.9 | 527 | 388,7 | 4 664 |

WARNING

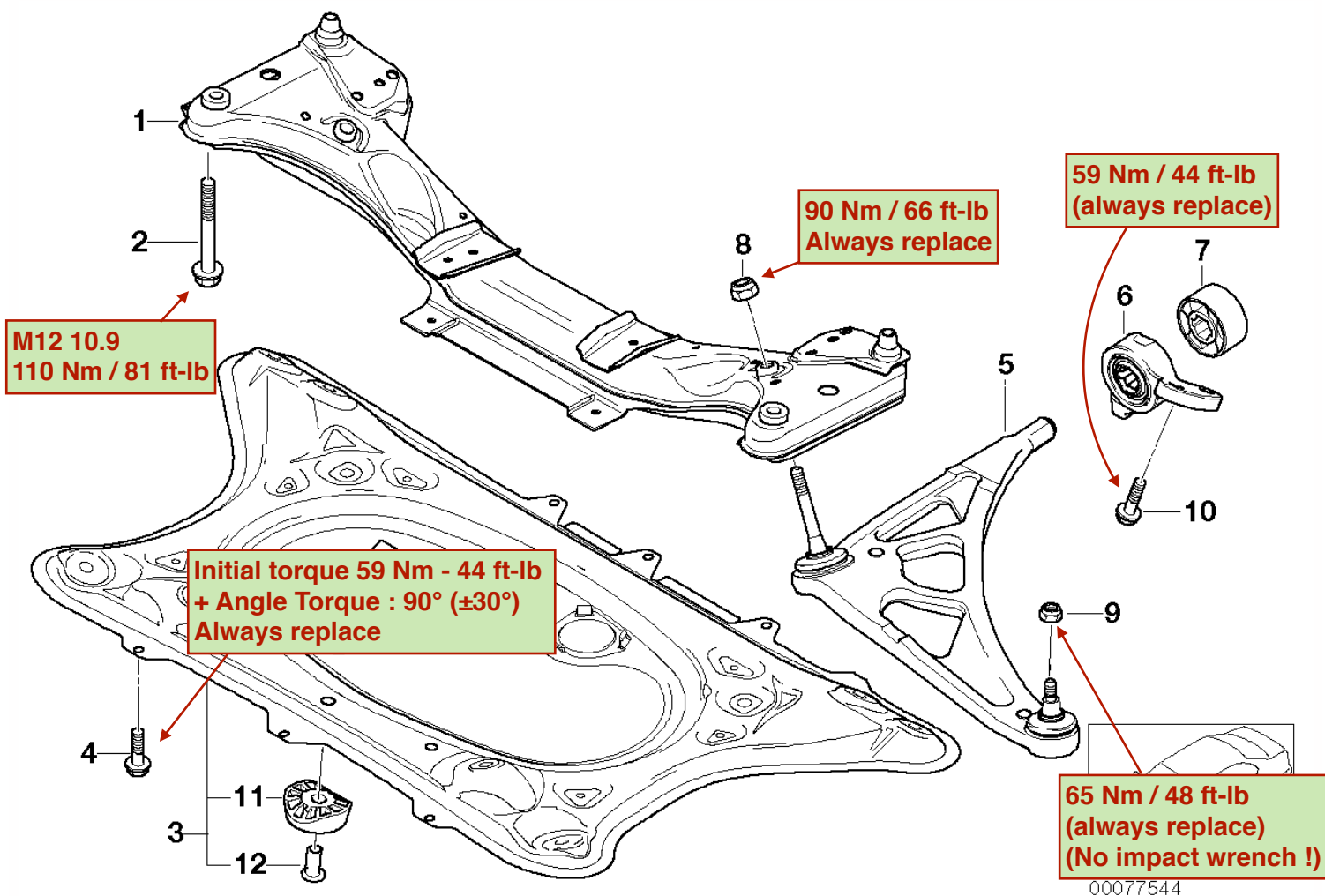
All torques are given for clean dry threads.
Lubed threads are very easy to over-torque.
Check what torque to apply if you use anti-seize !!

WARNING

When torquing down suspension bushings, car must be in "loaded" position, in order to avoid bushing pre-load.

3' E46 M3 FRONT AXLE SUPPORT/WISHBONE

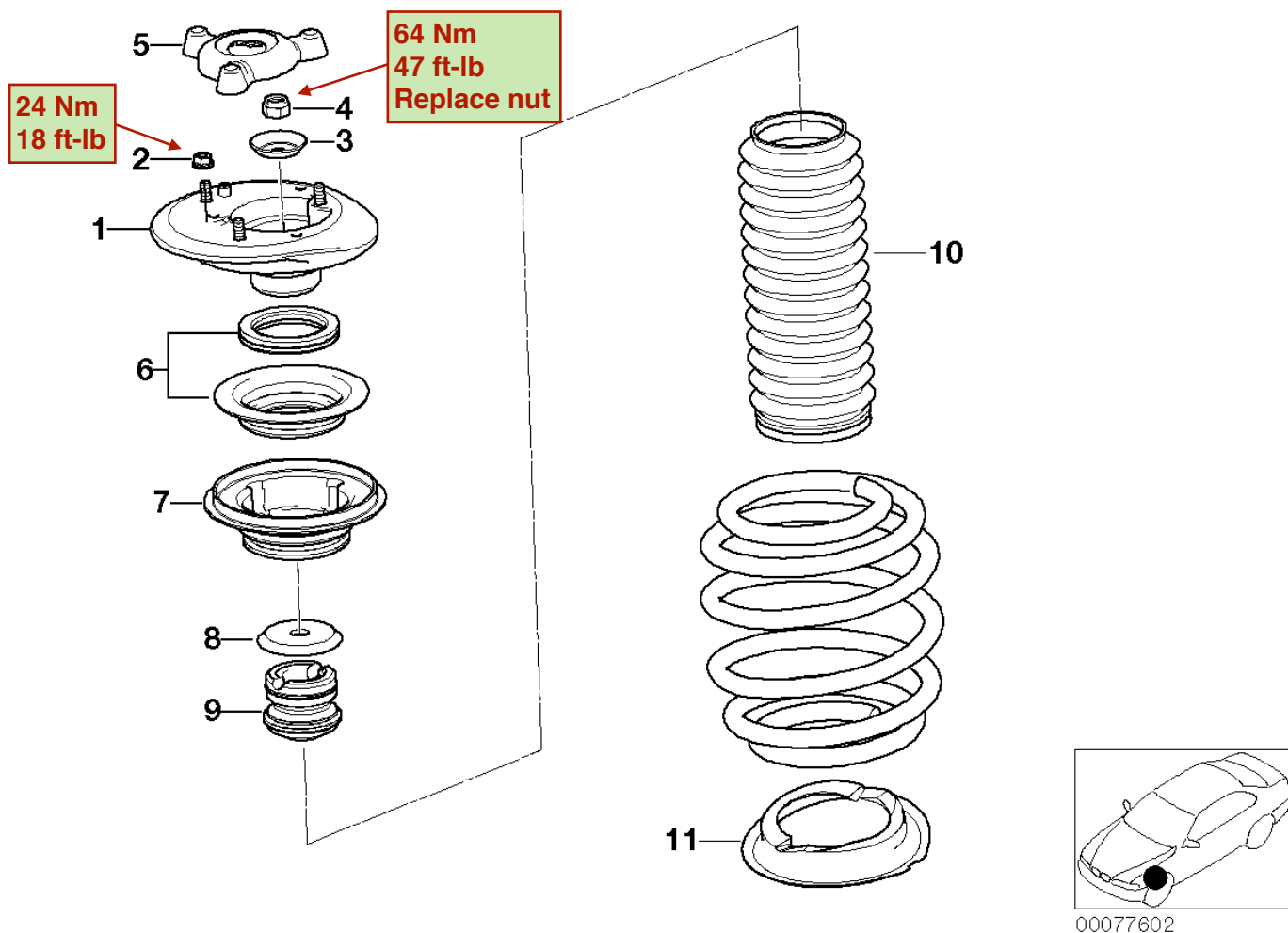
[Front Axle](#) > [Front axle suspension](#)



| No. | Description | Supp. | Qty | From | Up To | Part Number | Price | Notes |
|-----|--|-----------------|-----|------|-------|-----------------------------|----------|-------|
| 01 | Front axle support only in conjunction with | | 1 | | | 31111096902 | \$569.48 | |
| -- | Reinforcement plate | | 1 | | | 51717893609 | \$192.85 | |
| 02 | Hex screw with collar | M12X1,5X100 | 4 | | | 31116781023 | \$3.60 | |
| 03 | Reinforcement plate | | 1 | | | 51717893609 | \$192.85 | |
| 04 | Hexagon screw with flange | M10X35-10.9ZNS3 | 12 | | | 31106772199 | \$1.61 | |
| 05 | Wishbone, left Required for repair | | 1 | | | 31122229453 | \$422.85 | |
| 05 | Wishbone, right Required for repair | | 1 | | | 31122229454 | \$422.85 | |
| -- | Hex bolt with washer | M10X35-Z1-10.9 | 2 | | | 33306760652 | \$0.88 | |
| -- | SELF-LOCKING HEX NUT | M14X1,5-05 ZNS3 | 1 | | | 31106774714 | \$1.12 | |
| -- | Self-locking collar nut | M12X1,5 ZNS3 | 1 | | | 31106777806 | \$1.19 | |
| 06 | Wishbone bracket with rubber mount left | | 1 | | | 31122229623 | \$73.12 | |
| 06 | Wishbone bracket with rubber mount right | | 1 | | | 31122229624 | \$73.12 | |

3' E46 M3 GUIDE SUPPORT/SPRING PAD/ATTACHING PARTS

[Front Axle](#) > [Front axle suspension](#)

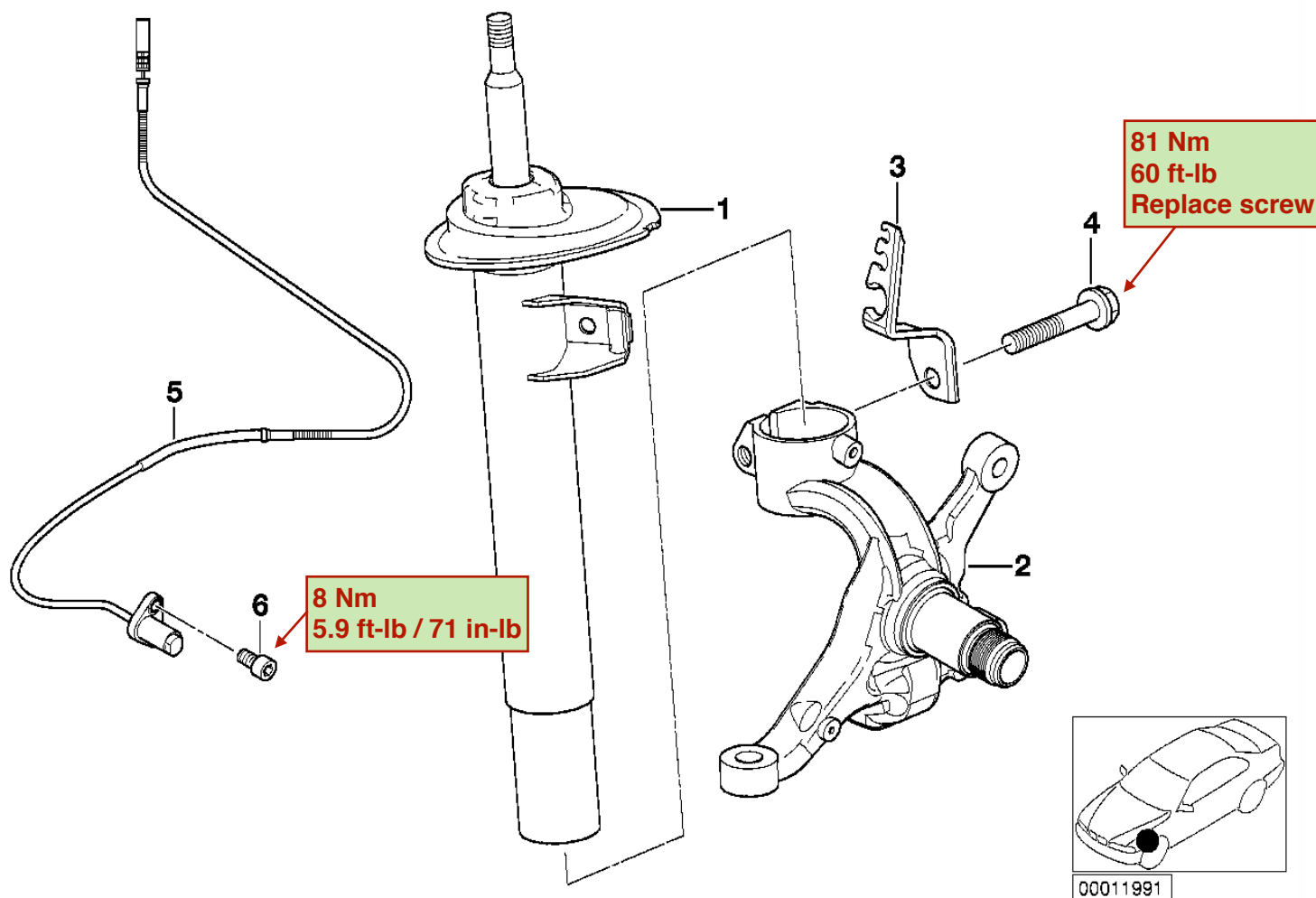


| No. | Description | Supp. | Qty | From | Up To | Part Number | Price | Notes |
|-----|--|-----------------|-----|------|---------|-----------------------------|---------|-------|
| 01 | LEFT GUIDE SUPPORT | | 1 | | | 31332229165 | \$98.90 | |
| 01 | RIGHT GUIDE SUPPORT | | 1 | | | 31332229166 | \$98.90 | |
| 02 | Self-locking collar nut | M8-8 ZNS3 | 6 | | | 31316769731 | \$0.38 | |
| 03 | Plate | | 2 | | | 31332229427 | \$3.97 | |
| 04 | SELF-LOCKING HEX NUT | M14X1,5-05 ZNS3 | 2 | | | 31106774714 | \$1.12 | |
| 05 | Protection cap | | 2 | | 04/2002 | 31312229458 | \$9.97 | |
| 06 | UPPER SPRING POCKET W/AXIAL CAGE BEARING | | 2 | | | 31331090612 | \$11.70 | |
| 07 | SPRING PAD UPPER | | 2 | | | 31331091233 | \$5.85 | |
| 08 | Support | | 2 | | | 31321139423 | \$5.03 | |
| 09 | Additional shock absorber, front | | 2 | | | 31332229778 | \$17.18 | |
| 10 | Rubber boot | | 2 | | | 31331093344 | \$20.56 | |
| 11 | SPRING PAD LOWER | | 2 | | | 31331096664 | \$4.60 | |

Copyright © RealOEM.com

3' E46 M3 FRONT SPRING STRUT/SHOCK ABSORBER

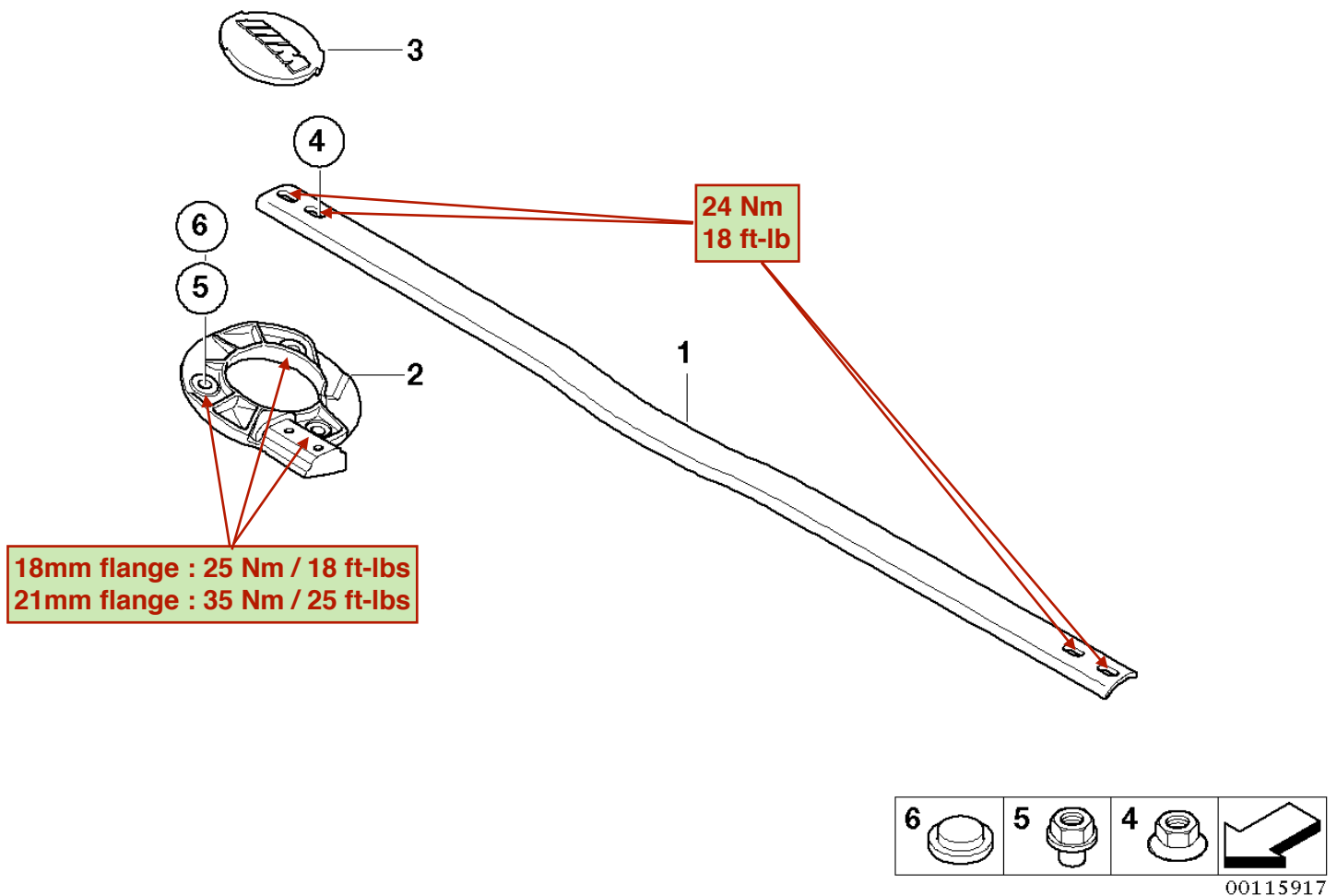
[Front Axle](#) > [Front axle suspension](#)



| No. | Description | Supp. | Qty | From | Up To | Part Number | Price | Notes |
|----------|--|-----------------|-----|---------|---------|-----------------------------|----------|-------|
| <i>i</i> | The following part is absolutely vital for strut replacements: Additional shock absorber, front | | | | | | | |
| 01 | LEFT FRONT SPRING STRUT Required for repair | | 1 | | | 31312283103 | \$348.55 | |
| 01 | FRONT RIGHT SPRING STRUT Required for repair | | 1 | | | 31312283104 | \$348.55 | |
| -- | Self-locking collar nut | M8-8 ZNS3 | 1 | | | 31316769731 | \$0.38 | |
| -- | Hex bolt with washer | M12X1,5X55-10.9 | 1 | | | 31306779487 | \$2.17 | |
| 02 | KING PIN LEFT | | 1 | | | 31212229855 | \$241.80 | +core |
| 02 | KING PIN RIGHT | | 1 | | | 31212229856 | \$241.80 | |
| 03 | Left ABS/BVA tube bracket | | 1 | | | 34526780591 | \$1.82 | |
| 03 | Right ABS/BVA tube bracket | | 1 | | | 34526780592 | \$1.82 | |
| 04 | Hex bolt with washer | M12X1,5X55-10.9 | 2 | | | 31306779487 | \$2.17 | |
| 05 | Pulse generator, ABS | | 2 | | 09/2002 | 34521165609 | | +core |
| 05 | Pulse generator, ABS front right | | 1 | 09/2002 | | 34526792896 | | |
| 05 | Pulse generator, ABS front left | | 1 | 09/2002 | | 34526792897 | | |
| 06 | ISA screw | M6X30-8.8-ZNNIV | 2 | | | 07129905386 | \$0.86 | |

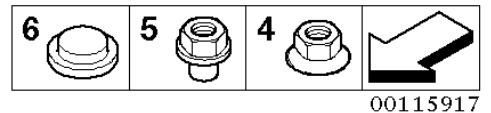
3' E46 M3 Strut brace

Vehicle trim > [Mounting parts, engine compartment](#)



18mm flange : 25 Nm / 18 ft-lbs
21mm flange : 35 Nm / 25 ft-lbs

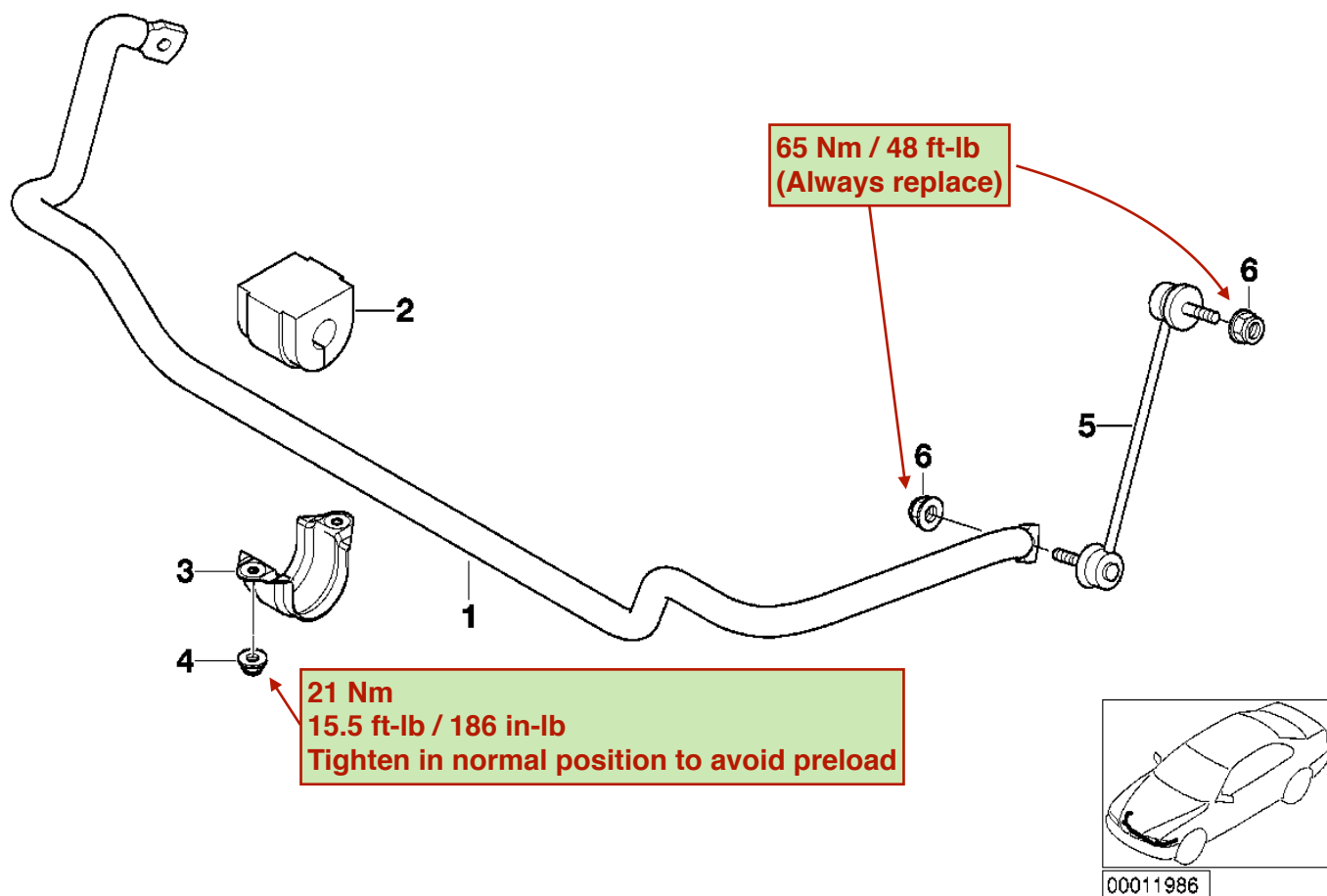
24 Nm
18 ft-lb



| No. | Description | Supp. | Qty | From | Up To | Part Number | Price | Notes |
|-----|--------------------------|-----------|-----|------|-------|-----------------------------|----------|-------|
| 01 | Front transverse element | | 1 | | | 51717895414 | \$118.26 | |
| 02 | BRACKET LEFT | | 1 | | | 51717895249 | \$85.25 | |
| 02 | BRACKET RIGHT | | 1 | | | 51717895250 | \$101.70 | |
| 03 | Covering left | | 1 | | | 51717895251 | \$8.27 | |
| 03 | Covering right | | 1 | | | 51717895252 | \$8.27 | |
| 04 | Self-locking collar nut | M8-8 ZNS3 | 4 | | | 31316769731 | \$0.38 | |
| 05 | Hex nut | M8 | 6 | | | 51717895241 | \$9.77 | |
| 06 | Cap | | 6 | | | 51717896829 | \$3.62 | |

3' E46 M3 Stabilizer, front

[Front Axle](#) > [Front axle suspension](#)



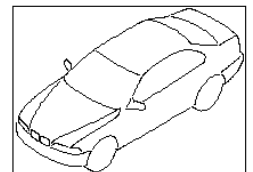
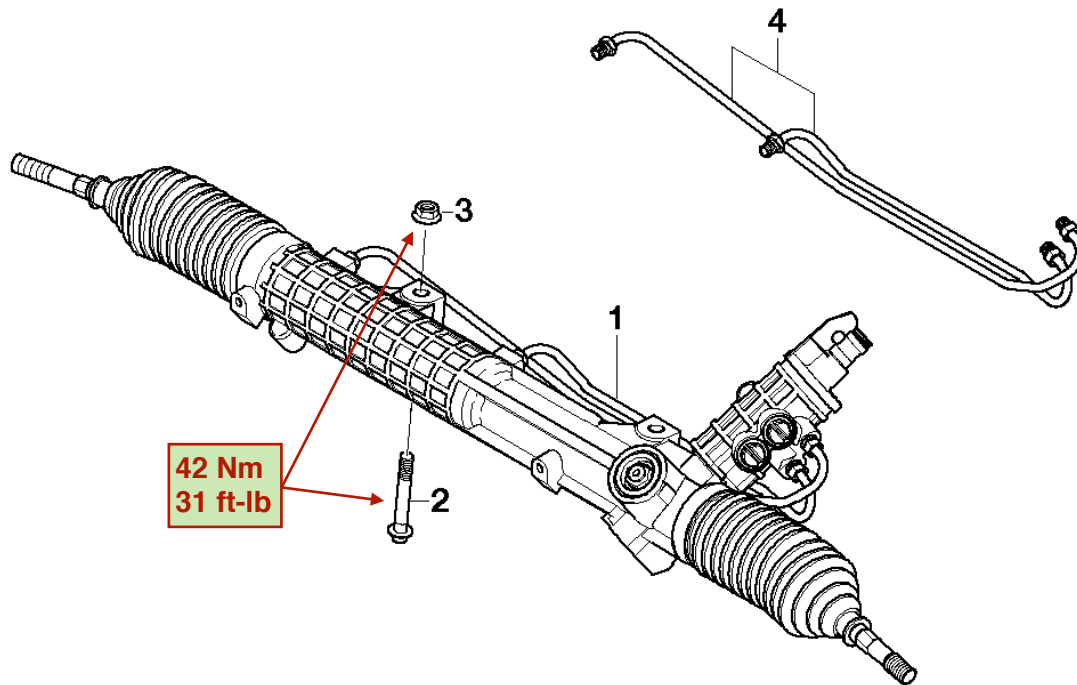
| No. | Description | Supp. | Qty | From | Up To | Part Number | Price | Notes |
|-----|----------------------------|-------------|-----|------|-------|-----------------------------|----------|-------|
| 01 | Stabilizer, front | D=26MM | 1 | | | 31352229755 | \$181.20 | +core |
| 02 | Stabilizer rubber mounting | D=26MM | 2 | | | 31352229756 | \$19.25 | |
| 03 | STABILIZER SUPPORT | | 2 | | | 31351094552 | \$4.96 | |
| 04 | Self-locking collar nut | M8-10 ZNS3 | 4 | | | 07119905374 | | |
| 05 | Front swing support | | 2 | | | 31356780847 | \$44.83 | |
| -- | Required for repair | | | | | | | |
| -- | Hex nut wiht flange | M10-10 ZNS3 | 4 | | | 33306760587 | \$0.78 | |
| 06 | Hex nut wiht flange | M10-10 ZNS3 | 4 | | | 33306760587 | \$0.78 | |

Notes

- +core = plus core charge (possibility of a return of the old part)

3' E46 M3 POWER STEERING

[Steering](#) > [Hydraulic steering](#)



00101031

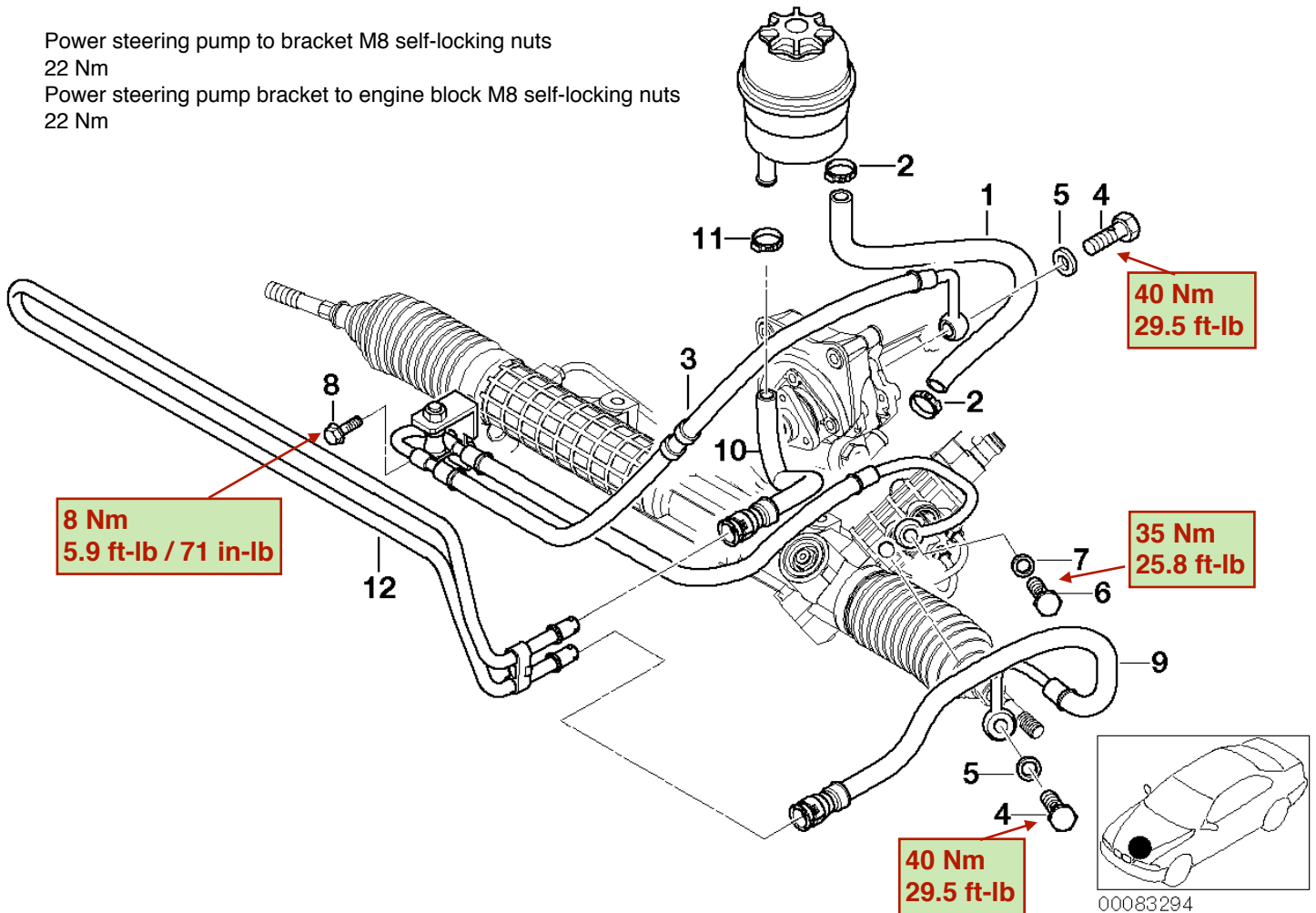
| No. | Description | Supp. | Qty | From | Up To | Part Number | Price | Notes |
|----------|---|-------------|-----|---------|-------|-----------------------------|-----------|-------|
| <i>i</i> | No further intervention permitted Steering gear: mounting of ZF or TRW | | | | | | | |
| 01 | Rmfd hydro steering gear | ZF | 1 | | | 32132229397 | \$1505.92 | |
| | For vehicles with Competition package Important! | | | | | | | |
| | See information in the TI-column. | | | | | | | |
| 01 | Rmfd hydro steering gear | ZF | 1 | 12/2004 | | 32132282642 | \$1505.92 | |
| 02 | Hexagon screw with flange | M10X67-8.8 | 2 | | | 32106781639 | \$2.73 | |
| 03 | Hex nut wiht flange | M10-10 ZNS3 | 2 | | | 33306760587 | \$0.78 | |
| 04 | SET PIPE | ZF | 1 | 04/1999 | | 32131096845 | \$37.83 | |

Copyright © RealOEM.com

3' E46 M3 HYDRO STEERING-OIL PIPES

[Steering](#) > [Lubrication system](#)

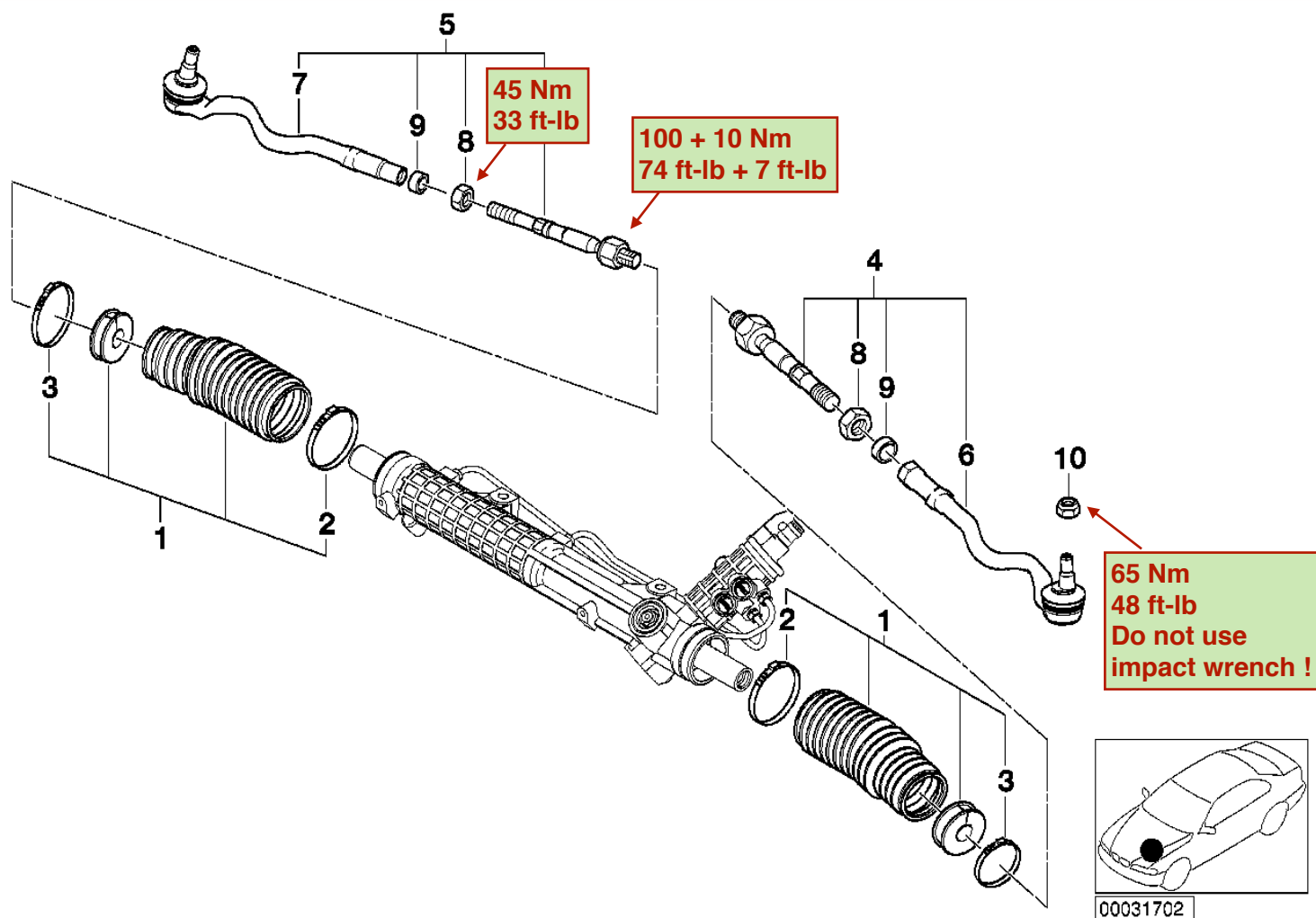
Power steering pump to bracket M8 self-locking nuts
22 Nm
Power steering pump bracket to engine block M8 self-locking nuts
22 Nm



| No. | Description | Supp. | Qty | From | Up To | Part Number | Price | Notes |
|-----|--|--------------|-----|---------|---------|-----------------------------|----------|-------|
| 01 | Intake manifold | | 1 | | | 32412229369 | \$32.68 | |
| 02 | Hose clamp | | 2 | | | 32416751127 | \$1.12 | |
| 03 | Expansion hose | | 1 | | | 32412283893 | \$218.88 | |
| 04 | Hollow bolt | M16X28 | 2 | | 02/2012 | 32416783887 | \$3.98 | ENDED |
| 04 | Hollow bolt | M16X28 | 2 | | | 32416852470 | | |
| 05 | Gasket ring | A16X22-CUSN | 4 | | | 32411093597 | \$0.27 | |
| 06 | Banjo bolt with check valve | M14X1,5X27,4 | 1 | | | 32416781261 | \$10.02 | |
| 07 | Gasket ring | A14X20-CUSN | 2 | | | 32411093596 | \$0.31 | |
| 08 | Hex bolt with washer | M6X12-U1-8.8 | 1 | | | 07119904517 | \$0.36 | |
| 09 | Return pipe | | 1 | | | 32412282354 | \$61.05 | |
| 10 | radiator return line | | 1 | | | 32412282353 | \$33.00 | |
| 11 | Hose clamp | | 1 | | | 32416751128 | \$0.98 | |
| 12 | COOLING COIL only in conjunction with radiator return line | | 1 | | 06/2001 | 17102282339 | \$92.13 | |
| -- | Return pipe | | 1 | | 06/2001 | 32412282353 | \$33.00 | |
| -- | Return pipe | | 1 | | 06/2001 | 32412282354 | \$61.05 | |
| 12 | COOLING COIL | | 1 | 06/2001 | | 17102282339 | \$92.13 | |

3' E46 M3 STEERING LINKAGE/TIE RODS

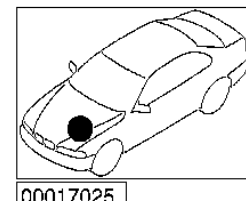
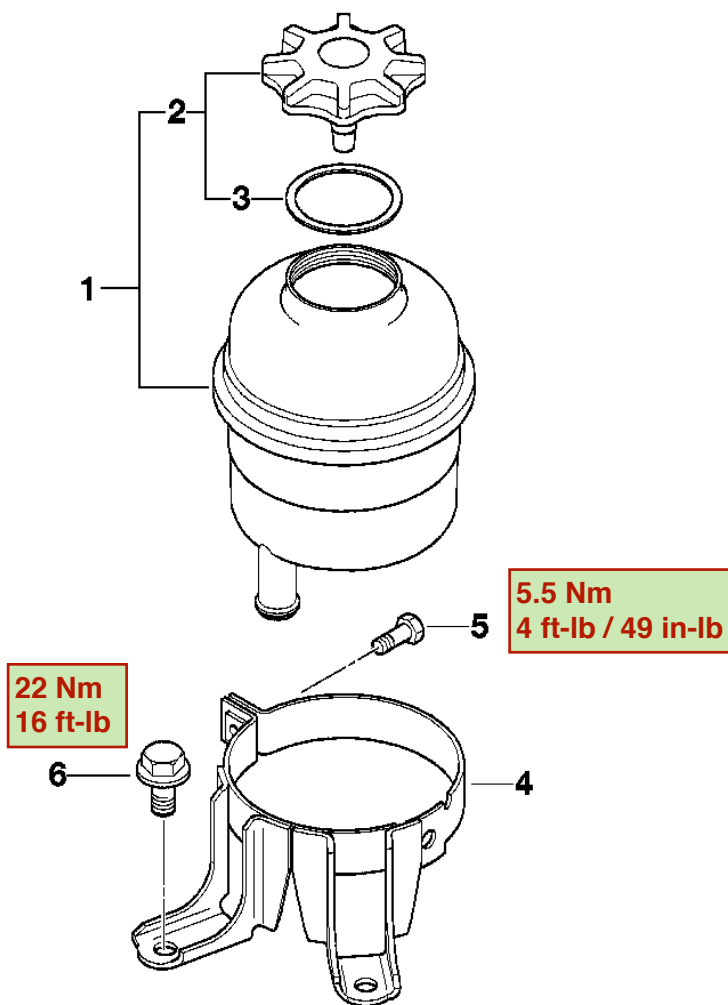
[Steering](#) > [steering system connectors](#)



| No. | Description | Supp. | Qty | From | Up To | Part Number | Price | Notes |
|-----|--|-----------------|-----|------|-------|-----------------------------|----------|-------|
| 01 | Repair kit bellows only in conjunction with | | 2 | | | 32131096910 | \$52.55 | |
| -- | Grease FB-1 | 100G | 1 | | | 83232208093 | | |
| 02 | Hose clamp | D=64.8-68.0 | 2 | | | 32111095897 | \$4.85 | |
| 03 | Hose clamp | D=49,8-53.0 | 2 | | | 32136750081 | \$2.90 | |
| 03 | Hose clamp | D=20,9-24,1 | 2 | | | 32111131345 | \$2.12 | |
| 04 | LEFT TIE ROD | | 1 | | | 32112228785 | \$218.51 | |
| 05 | RIGHT TIE ROD | | 1 | | | 32112228786 | \$218.51 | |
| 06 | Ball joint, left Required for repair | | 1 | | | 32212229367 | \$85.70 | |
| -- | SELF-LOCKING HEX NUT | M12X1.5-05 ZNS3 | 1 | | | 32216769539 | \$0.83 | |
| -- | Hex nut | M14X1,5MM | 1 | | | 32116774889 | \$3.11 | |
| -- | CLAMP RING | | 1 | | | 32216774890 | \$3.80 | |
| 07 | Ball joint, right Required for repair | | 1 | | | 32212229368 | \$85.70 | |
| -- | SELF-LOCKING HEX NUT | M12X1.5-05 ZNS3 | 1 | | | 32216769539 | \$0.83 | |
| -- | Hex nut | M14X1,5MM | 1 | | | 32116774889 | \$3.11 | |
| -- | CLAMP RING | | 1 | | | 32216774890 | \$3.80 | |

3' E46 M3 Oil carrier / Single parts

[Steering](#) > [Lubrication system](#)

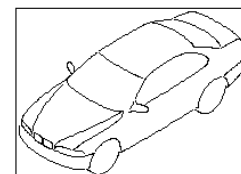
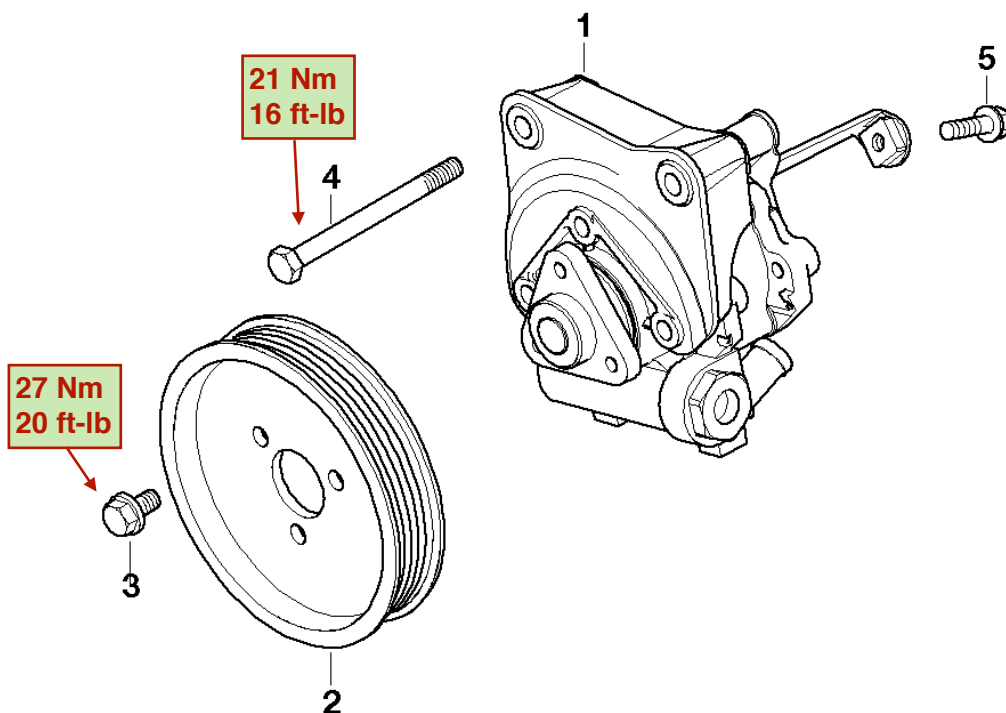


| No. | Description | Supp. | Qty | From | Up To | Part Number | Price | Notes |
|-----|--|--------------|-----|------|-------|-----------------------------|--------|-------|
| 01 | OIL CARRIER only in conjunction with | CHF 11.S | 1 | | | 32416851217 | | |
| -- | Label, oil container-power steering pump | ATF | 1 | | | 71246798132 | | |
| 02 | Cover only in conjunction with | CHF 11.S | 1 | | | 32416851332 | | |
| -- | Label, oil container-power steering pump | ATF | 1 | | | 71246798132 | | |
| 03 | Gasket ring | | 1 | | | 32411128333 | \$2.38 | |
| 04 | Bracket, oil carrier | | 1 | | | 32411092940 | \$8.52 | |
| 05 | Hex bolt with washer | M6X16-U1-8.8 | 1 | | | 07119904524 | \$0.25 | |
| 06 | Hex bolt with washer | M8X18-U1-8.8 | 2 | | | 07119905529 | \$0.96 | |

Copyright © RealOEM.com

3' E46 M3 Power steering pump

[Steering](#) > [Power steering_pump](#)



00083250

| No. | Description | Supp. | Qty | From | Up To | Part Number | Price | Notes |
|-----|--------------------------|----------------|-----|------|---------|-----------------------------|----------|-------|
| 01 | Rmfd power steering pump | ZF | 1 | | | 32412229679 | \$662.76 | |
| 02 | Pulley | | 1 | | | 32427830838 | \$41.77 | |
| 03 | Hex bolt with washer | M8X14 ZNNIV SI | 3 | | | 07119905527 | \$0.47 | |
| 04 | Hex bolt with washer | M8X80-U1-8.8 | 2 | | 07/2006 | 07119906270 | \$3.37 | |
| 04 | Hex bolt with washer | M8X80-U1-8.8 | 2 | | | 07119904845 | \$1.98 | |
| 05 | Hex bolt with washer | M8X20-Z1 | 1 | | 02/2007 | 07119915093 | \$0.47 | ENDED |
| 05 | Hex bolt with washer | M8X20-ZNS3 | 1 | | 02/2007 | 07147165618 | \$0.73 | |
| 05 | Hex bolt with washer | M8X20-U1-8.8 | 1 | | | 07119904992 | \$0.55 | |

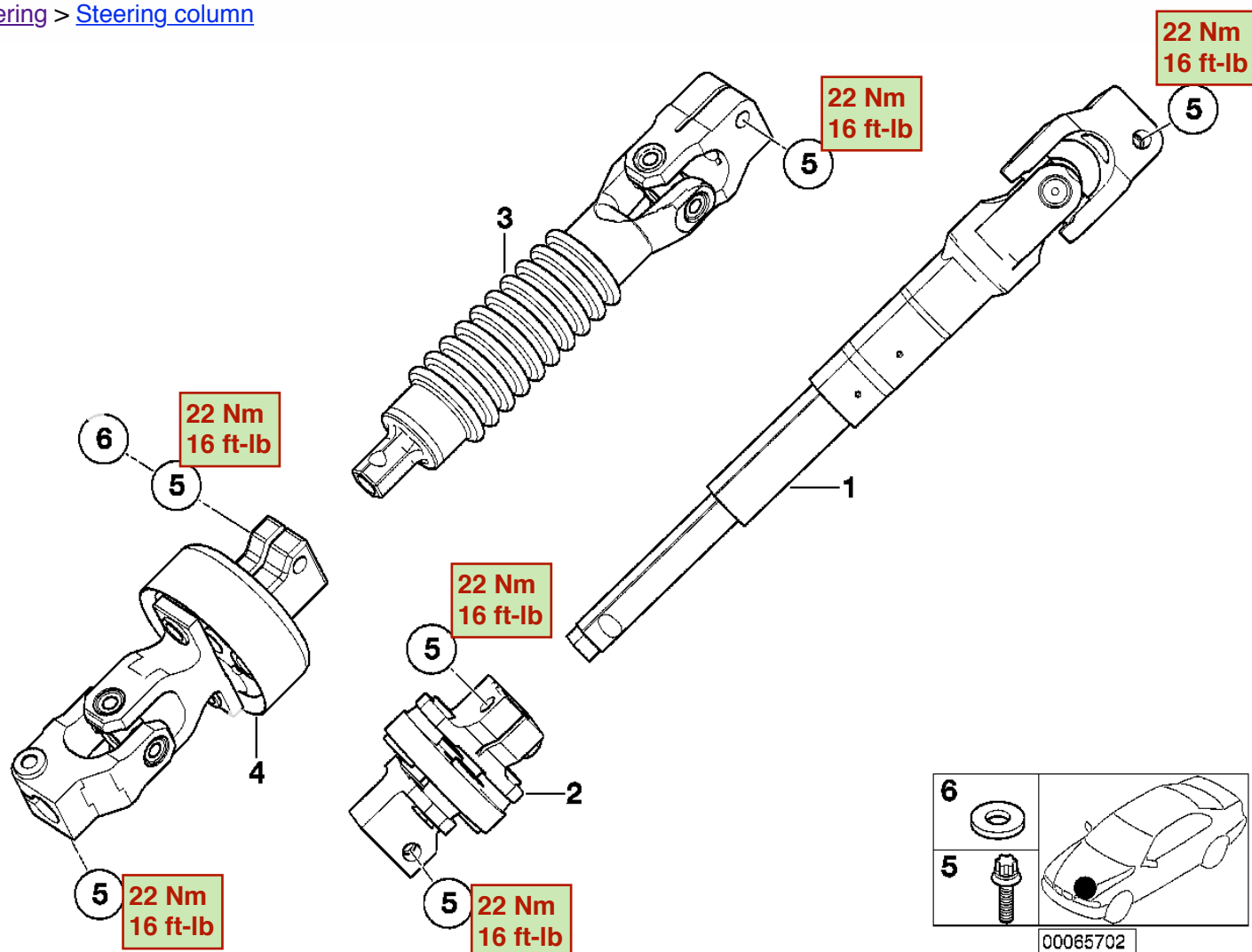
Notes

- ENDED = the part has been discontinued (no longer available).

Copyright © RealOEM.com

3' E46 M3 STEER.COL.-LOWER JOINT ASSY

[Steering](#) > [Steering column](#)

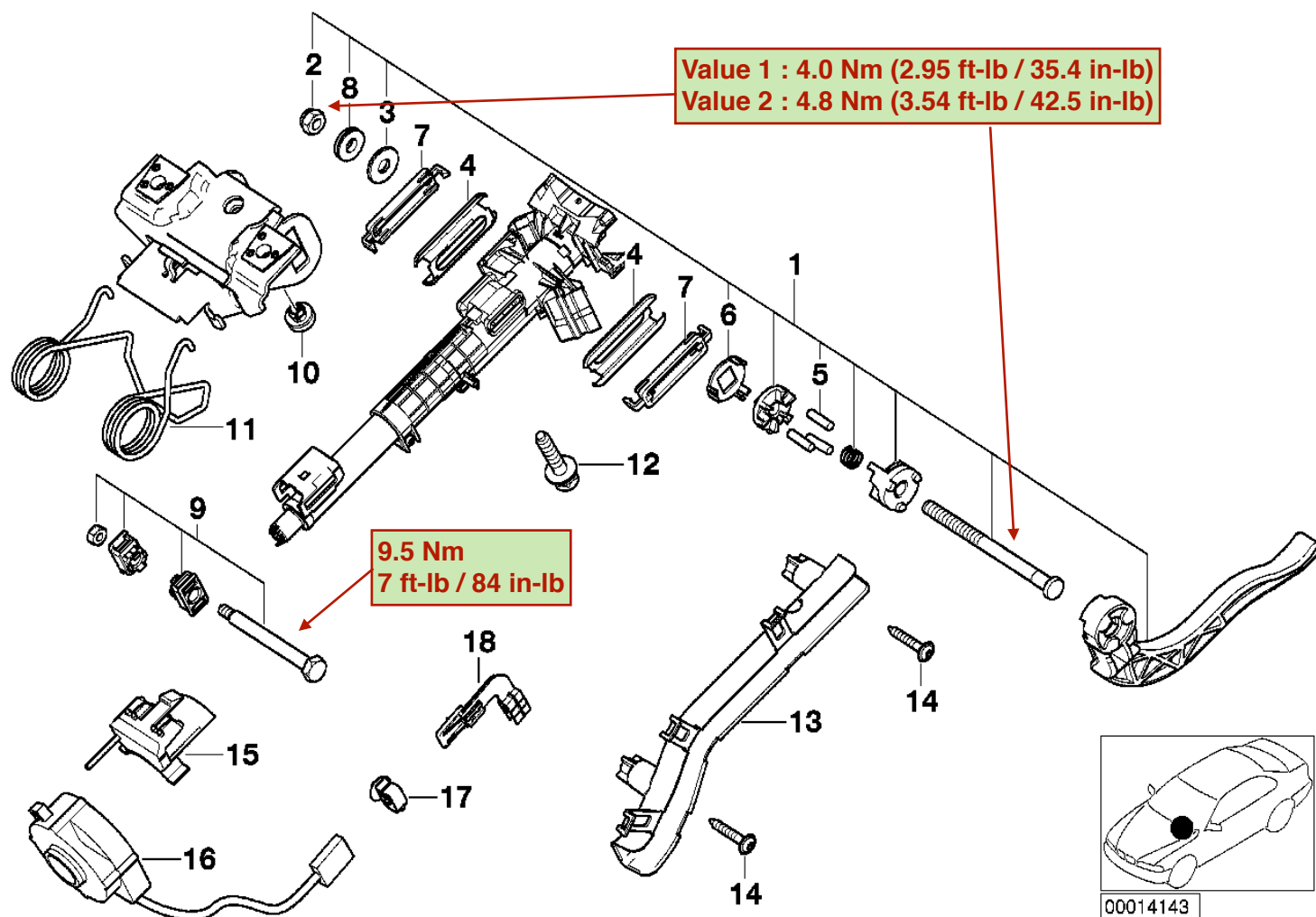


| No. | Description | Supp. | Qty | From | Up To | Part Number | Price | Notes |
|-----|--------------------------------|-------|-----|---------|---------|-----------------------------|----------|-------|
| 01 | LOWER JOINT ASSY | | 1 | | 11/2003 | 32301094700 | \$159.58 | |
| 01 | LOWER JOINT ASSY | | 1 | 11/2003 | | 32306764006 | \$159.58 | |
| 02 | Flexible coupling for steering | | 1 | | 04/2001 | 32306752957 | \$48.97 | |
| 02 | Flexible coupling for steering | | 1 | 04/2001 | | 32301094703 | \$48.97 | |
| 05 | Torx bolt | M8X33 | 3 | | | 32306778609 | \$0.67 | |

Copyright © RealOEM.com

3' E46 M3 STEERING COLUMN-ADJUSTABLE/SINGLE PARTS

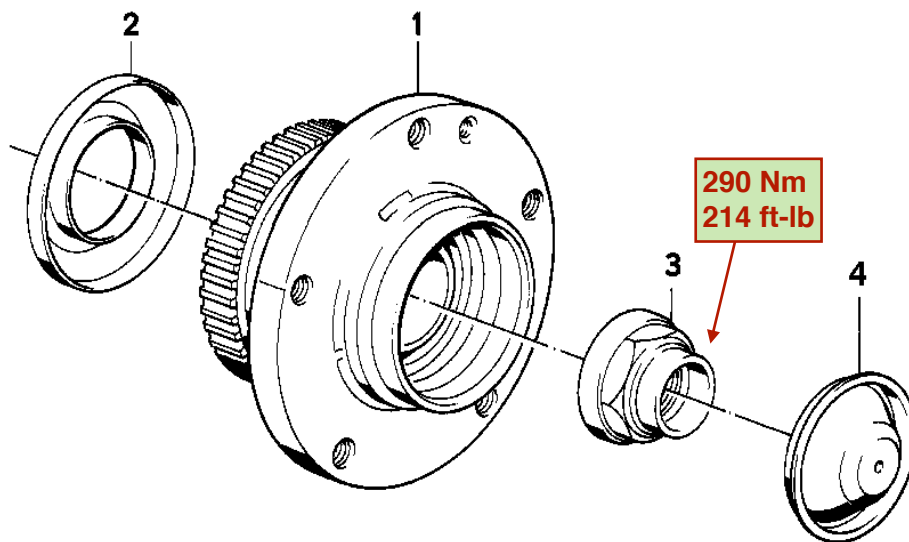
[Steering](#) > [Steering column](#)



| No. | Description | Supp. | Qty | From | Up To | Part Number | Price | Notes |
|--------------------------|-------------------------------|----------------|-----|------|-------|-----------------------------|----------|-------|
| 01 | ADJUST-LEVER | | 1 | | | 32301095299 | \$17.76 | |
| 02 | Securing nut | M8 | 1 | | | 32301095303 | \$0.50 | |
| 03 | washer for adjuster lever | | 1 | | | 32301095722 | \$0.65 | |
| 04 | friction plate | | 1 | | | 32301095759 | \$1.03 | |
| 05 | Roll pin | | 3 | | | 32301095300 | \$6.95 | |
| 06 | Washer | | 1 | | | 32301095723 | \$0.44 | |
| 07 | stop, fore-and-aft adjustment | | 2 | | | 32301095297 | \$2.08 | |
| 08 | AXIAL NEEDLE BEARING | 8X19X4MM | 1 | | | 32301095302 | \$3.45 | |
| 09 | Guide bush | | 1 | | | 32301095306 | \$6.12 | |
| 10 | stop, height adjustment | | 1 | | | 32301095298 | \$1.62 | |
| 11 | Return spring | | 1 | | | 32301095310 | \$3.83 | |
| 12 | Hex bolt | M8X36-8.8-ZNS3 | 1 | | | 32301094716 | \$0.70 | |
| 13 | Cable duct | | 1 | | | 32311094293 | \$3.12 | |
| 14 | Saucer-head screw | | 2 | | | 32303450197 | \$0.95 | |
| For vehicles with | | | | | | | | |
| | Dynamic stability control | S210A=Yes | | | | | | |
| 15 | holder, steering-angle sensor | | 1 | | | 32301094904 | \$3.32 | |
| 16 | STEERING ANGLE SENSOR | | 1 | | | 32306793632 | \$271.94 | |

3' E46 M3 Wheel bearing Front

[Front Axle](#) > [Front axle suspension](#)



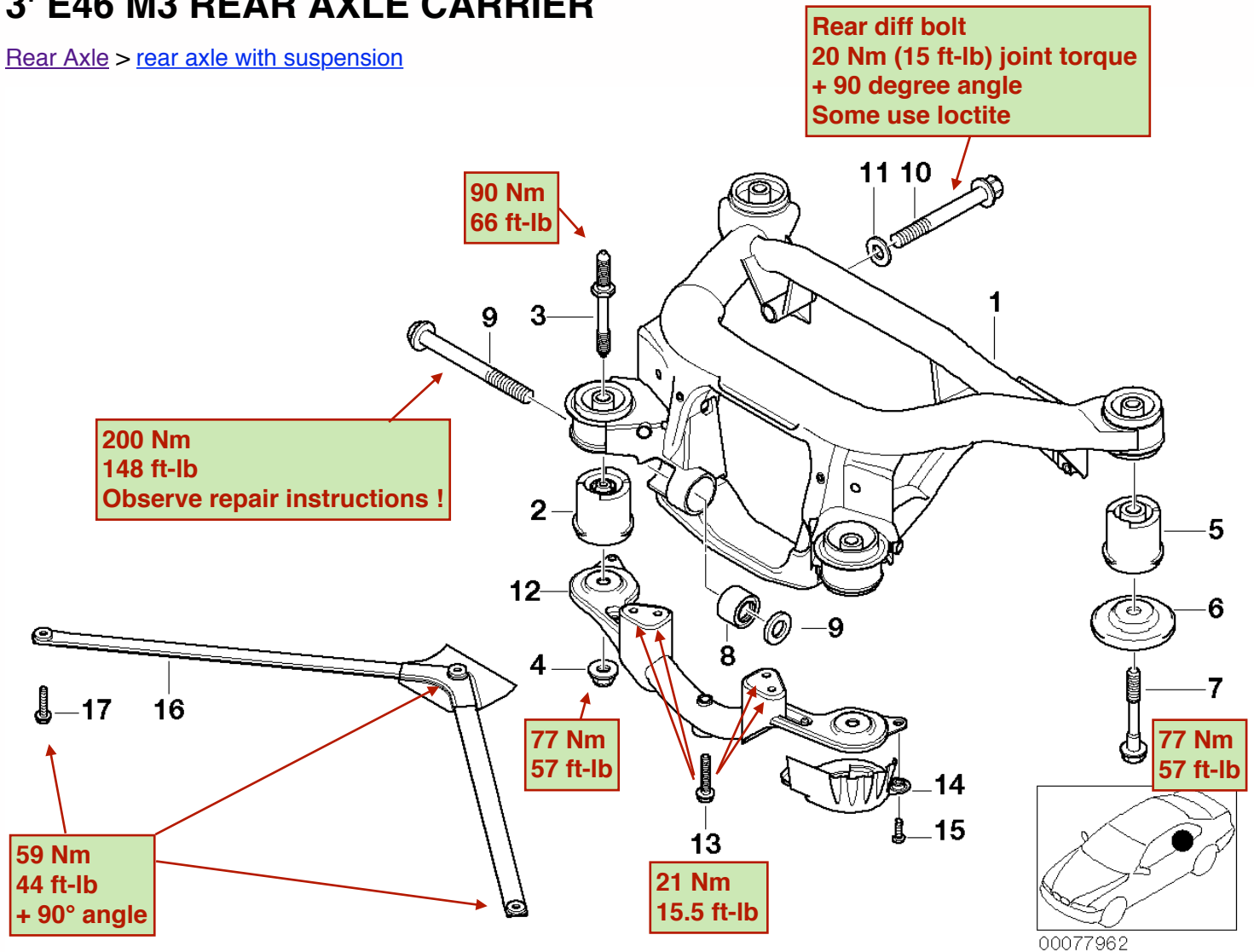
00003546

| No. | Description | Supp. | Qty | From | Up To | Part Number | Price | Notes |
|-----|-------------------------------|-------|-----|------|-------|-----------------------------|----------|-------|
| 01 | Wheel hub with bearing, front | | 2 | | | 31222229501 | \$254.08 | |
| 02 | DUST PROTECTION COLLAR D=69MM | | 2 | | | 31206777788 | \$2.22 | |
| 03 | Collar nut | | 2 | | | 31211128336 | \$7.48 | |
| 04 | Cap | | 2 | | | 31206777789 | \$3.02 | |

Copyright © RealOEM.com

3' E46 M3 REAR AXLE CARRIER

[Rear Axle](#) > [rear axle with suspension](#)

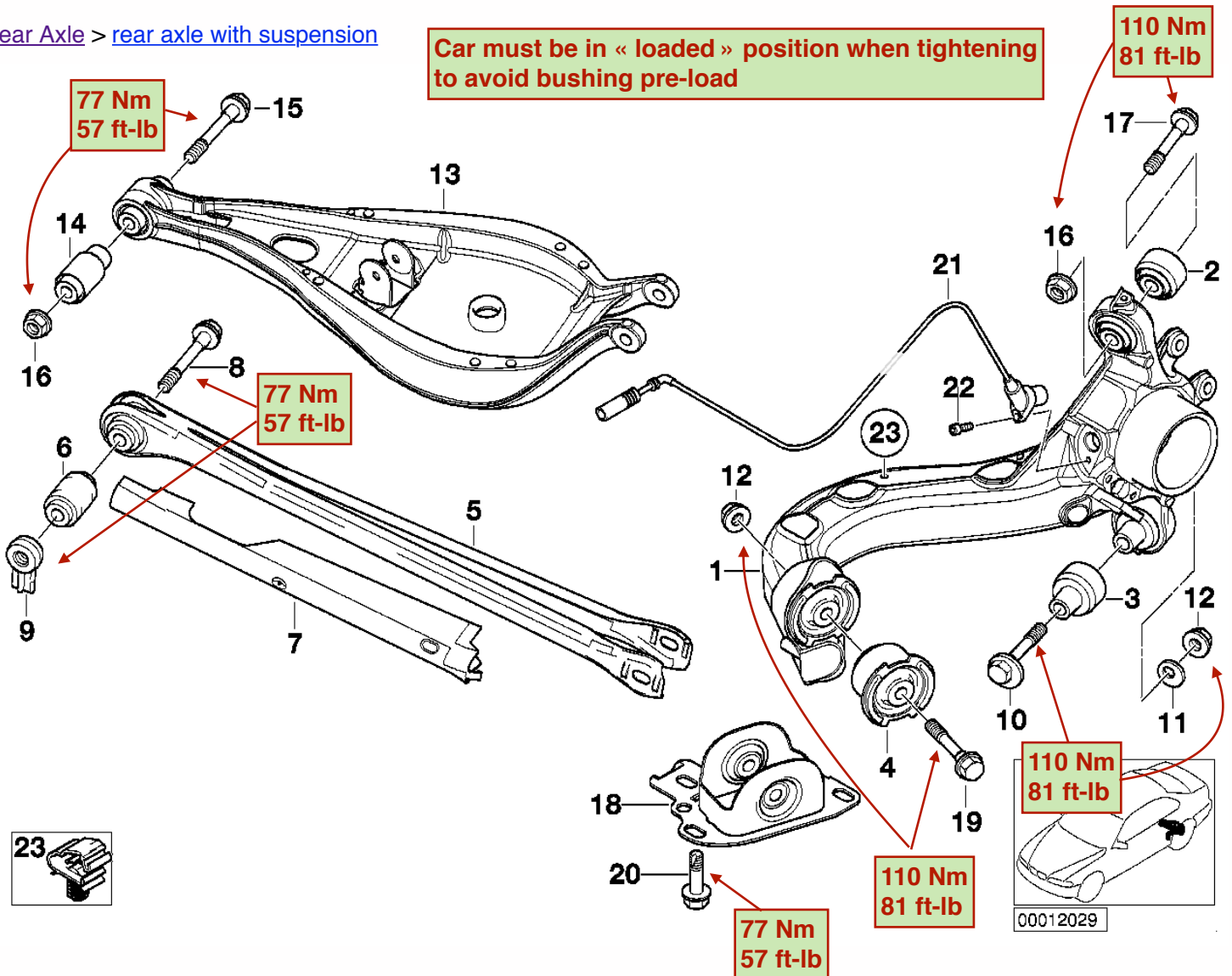


| No. | Description | Supp. | Qty | From | Up To | Part Number | Price | Notes |
|-----|---|-----------------|-----|---------|---------|-----------------------------|-----------|-------|
| 01 | REAR AXLE CARRIER only in conjunction with | | 1 | | 03/2002 | 33312282490 | \$1062.19 | |
| -- | Transmission cover | TYP 210 | 1 | | 03/2002 | 33112282482 | \$161.59 | +core |
| 01 | REAR AXLE CARRIER | | 1 | 03/2002 | | 33312282490 | \$1062.19 | |
| 02 | RUBBER MOUNTING front left | | 1 | | | 33312283573 | \$44.38 | |
| 02 | RUBBER MOUNTING front right | | 1 | | | 33312283574 | \$44.38 | |
| 03 | Threaded bolt | M12X1,5 ZNS3 | 2 | | | 33326760360 | \$3.59 | |
| 04 | Self-locking collar nut | M12X1,5-10 ZNS3 | 2 | | | 33326760374 | \$1.90 | |
| | EXCHANGEABLE IN PAIRS ONLY | | | | | | | |
| 05 | RUBBER MOUNTING rear | | 2 | | | 33312283419 | \$44.38 | |
| 06 | Stopper, rear | | 2 | | | 33312282251 | \$5.63 | |
| 07 | REDUCED-SHAFT BOLT | M12X1,5X116-8.8 | 2 | | | 33326760361 | \$2.27 | |
| 08 | RUBBER MOUNTING front only in conjunction with | | 1 | | 03/2002 | 33172282484 | \$33.38 | +core |
| -- | Transmission cover | TYP 210 | 1 | | 03/2002 | 33112282482 | \$161.59 | +core |
| 08 | RUBBER MOUNTING front | | 1 | 03/2002 | | 33172282484 | \$33.38 | +core |
| 09 | Hex bolt with washer | M14X1,5X65-10.9 | 1 | | | 33177840535 | \$5.10 | |

3' E46 M3 REAR AXLE SUPPORT/WHEEL SUSPENSION

[Rear Axle](#) > [rear axle with suspension](#)

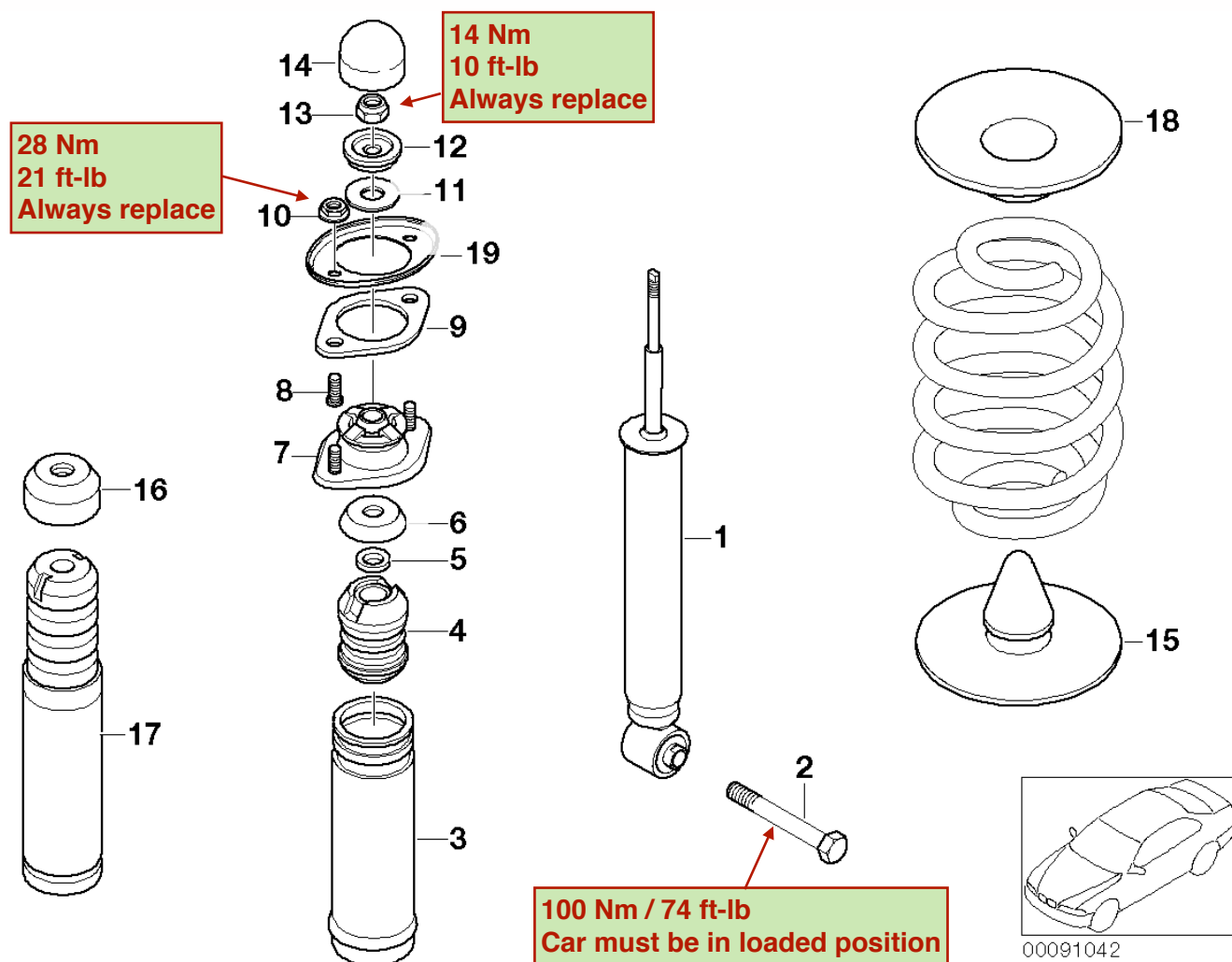
Car must be in « loaded » position when tightening to avoid bushing pre-load



| No. | Description | Supp. | Qty | From | Up To | Part Number | Price | Notes |
|-----|-----------------------|-----------------|-----|------|---------|-----------------------------|----------|-------|
| 01 | Trailing arm, left | | 1 | | | 33322229685 | \$768.41 | |
| 01 | Trailing arm, right | | 1 | | | 33322229686 | \$768.41 | |
| 02 | Ball joint | | 2 | | | 33326775551 | \$59.70 | ENDED |
| -- | Required for repair | | | | | | | |
| -- | Hex bolt with washer | M12X100-10.9 | 2 | | | 33176760343 | \$2.05 | |
| 03 | Ball joint | | 2 | | | 33326775551 | \$59.70 | ENDED |
| -- | Required for repair | | | | | | | |
| -- | Hex bolt with washer | M12X100-10.9 | 2 | | | 33176760343 | \$2.05 | |
| 04 | Rubber Mounting | | 2 | | | 33326770817 | \$33.38 | |
| 05 | Wishbone, lower | | 2 | | | 33326770813 | \$130.33 | |
| 06 | Rubber Mounting | | 2 | | | 33326770824 | \$15.18 | |
| 07 | Covering left | | 1 | | | 33321094469 | \$5.87 | |
| 07 | Covering right | | 1 | | | 33321094470 | \$5.87 | |
| 08 | Hex bolt with washer | M12X1.5X80-10.9 | 2 | | | 33171090824 | \$5.15 | |
| 09 | Lock plate | ZNS3 | 2 | | | 33326760364 | \$7.03 | |
| 10 | ECCENTRIC BOLT | M12X1,5X82-10.9 | 2 | | | 33326863853 | | |
| 11 | ECCENTRIC FLAT WASHER | A12 | 2 | | 10/2013 | 33321094653 | \$0.62 | ENDED |
| 11 | ECCENTRIC FLAT WASHER | | 2 | | | 33326760363 | | |

3' E46 M3 REAR SPRING STRUT MOUNTING PARTS

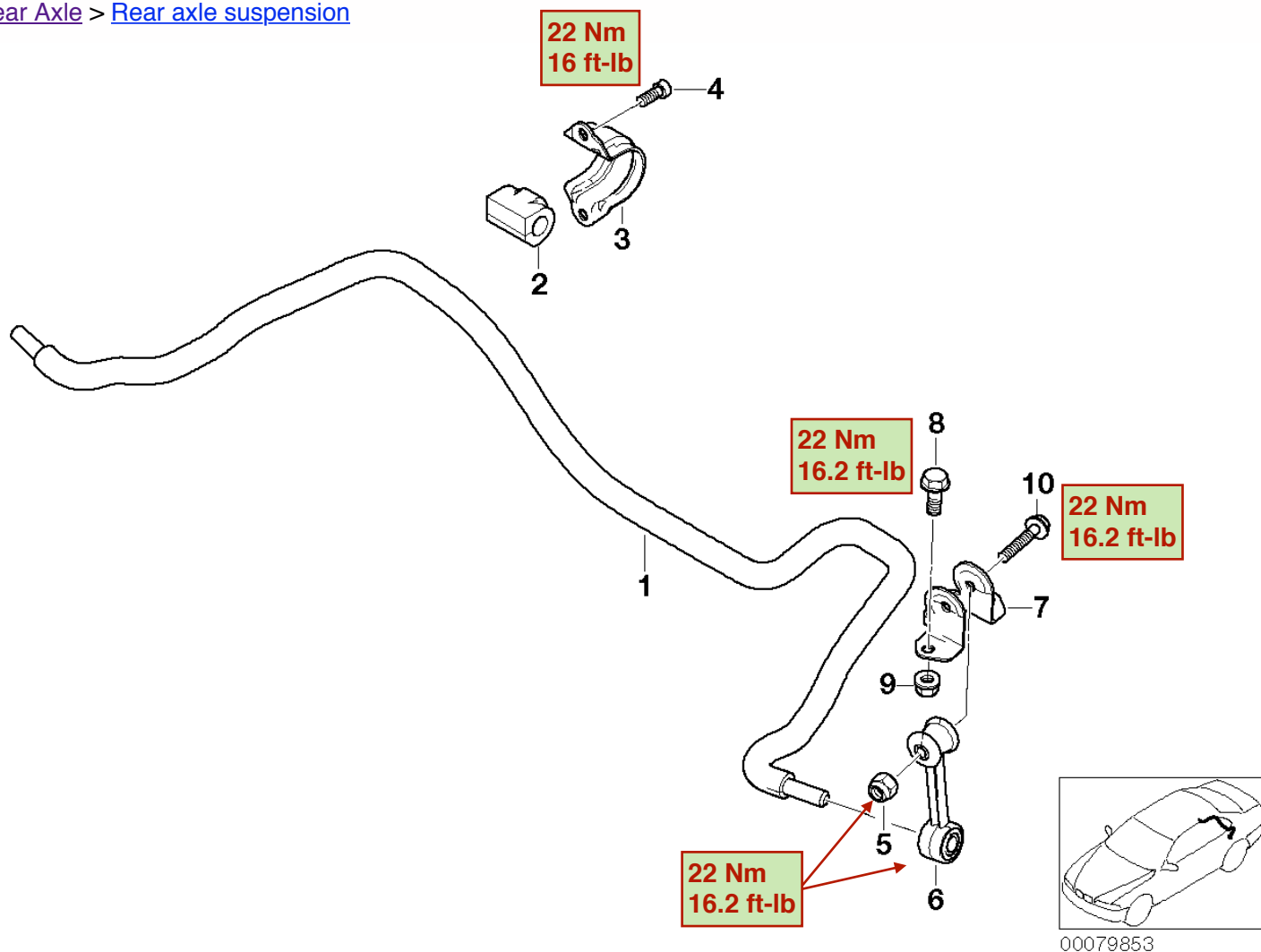
[Rear Axle](#) > [Rear axle suspension](#)



| No. | Description | Supp. | Qty | From | Up To | Part Number | Price | Notes |
|----------|--|--------------|-----|------|-------|-----------------------------|----------|-------|
| <i>i</i> | The following part is absolutely vital for shock absorber replacements: Additional shock absorber, rear | | | | | | | |
| 01 | Shock absorber, rear Required for repair | | 2 | | | 33522283105 | \$193.09 | |
| -- | SELF-LOCKING HEX NUT | M10X1-8 ZNS3 | 2 | | | 33526773882 | \$1.03 | |
| -- | Hex bolt | M12X1,5X60 | 2 | | | 07119900402 | \$1.64 | |
| 02 | Hex bolt | M12X1,5X60 | 2 | | | 07119900402 | \$1.64 | |
| 03 | Protection tube | | 2 | | | 33521136283 | \$5.58 | |
| 04 | Additional shock absorber, rear | | 2 | | | 33532229777 | \$18.92 | |
| 06 | Plate | | 2 | | | 33526762325 | \$3.93 | |
| 07 | Guide support | | 2 | | | 33526779670 | \$33.63 | |
| 09 | Washer-gasket | | 2 | | | 33526772864 | \$0.48 | |
| 10 | Self-locking collar nut | M8-10 ZNS3 | 4 | | | 07119905374 | | |
| 12 | Plate | | 2 | | | 33526788999 | \$2.58 | |
| 13 | SELF-LOCKING HEX NUT | M10X1-8 ZNS3 | 2 | | | 33526773882 | \$1.03 | |
| 14 | Protection cap | | 2 | | | 33522282233 | \$3.88 | |
| 15 | SPRING PAD LOWER | | 2 | | | 33531094518 | \$6.62 | |

3' E46 M3 Stabilizer, rear

[Rear Axle](#) > [Rear axle suspension](#)



00079853

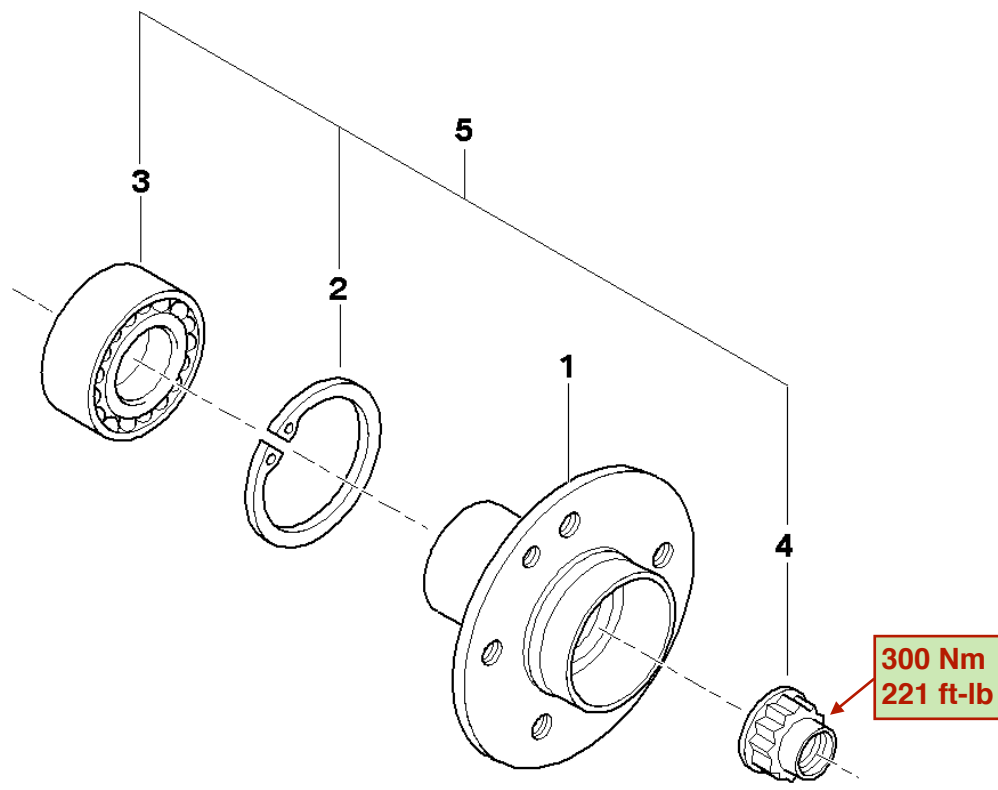
| No. | Description | Supp. | Qty | From | Up To | Part Number | Price | Notes |
|-----|----------------------------|----------------|-----|---------|---------|-----------------------------|----------|-------|
| 01 | Stabilizer, rear | D=21,5MM | 1 | | | 33552282181 | \$190.20 | +core |
| 02 | Stabilizer rubber mounting | D=21,5MM | 2 | | | 31352229711 | \$11.13 | |
| 03 | STABILIZER SUPPORT | | 2 | | | 33556780707 | \$2.22 | |
| 04 | Fillister-head screw | M8X16-8.8-ZNS3 | 4 | | | 07119904101 | \$0.29 | |
| 05 | SELF-LOCKING HEX NUT | M8 | 2 | | 07/2004 | 07129964655 | \$0.25 | |
| 05 | SELF-LOCKING HEX NUT | M8-8-ZNS3 | 2 | 07/2004 | | 07129904002 | \$0.18 | |
| 06 | Stabilizer link | | 2 | | | 33552283743 | \$22.15 | |
| -- | Required for repair | | | | | | | |
| -- | Self-locking collar nut | M8-10 ZNS3 | 4 | | | 07119905374 | | |
| 07 | Swing support bracket | | 2 | | | 33556782120 | \$2.63 | |
| 08 | Hexagon collar screw | M8X22-8.8 ZNS3 | 4 | | | 33326760669 | \$0.64 | |
| 09 | Self-locking collar nut | M8-10 ZNS3 | 4 | | | 07119905374 | | |
| 10 | Hex bolt | M8X43-8.8-ZNS3 | 2 | | | 07119903076 | \$0.71 | |

Notes

- +core = plus core charge (possibility of a return of the old part)

3' E46 M3 SIDE SHAFT/WHEEL BEARINGS Rear

[Rear Axle](#) > [Wheel bearing](#)



Replace collar nut and lightly oil contact face



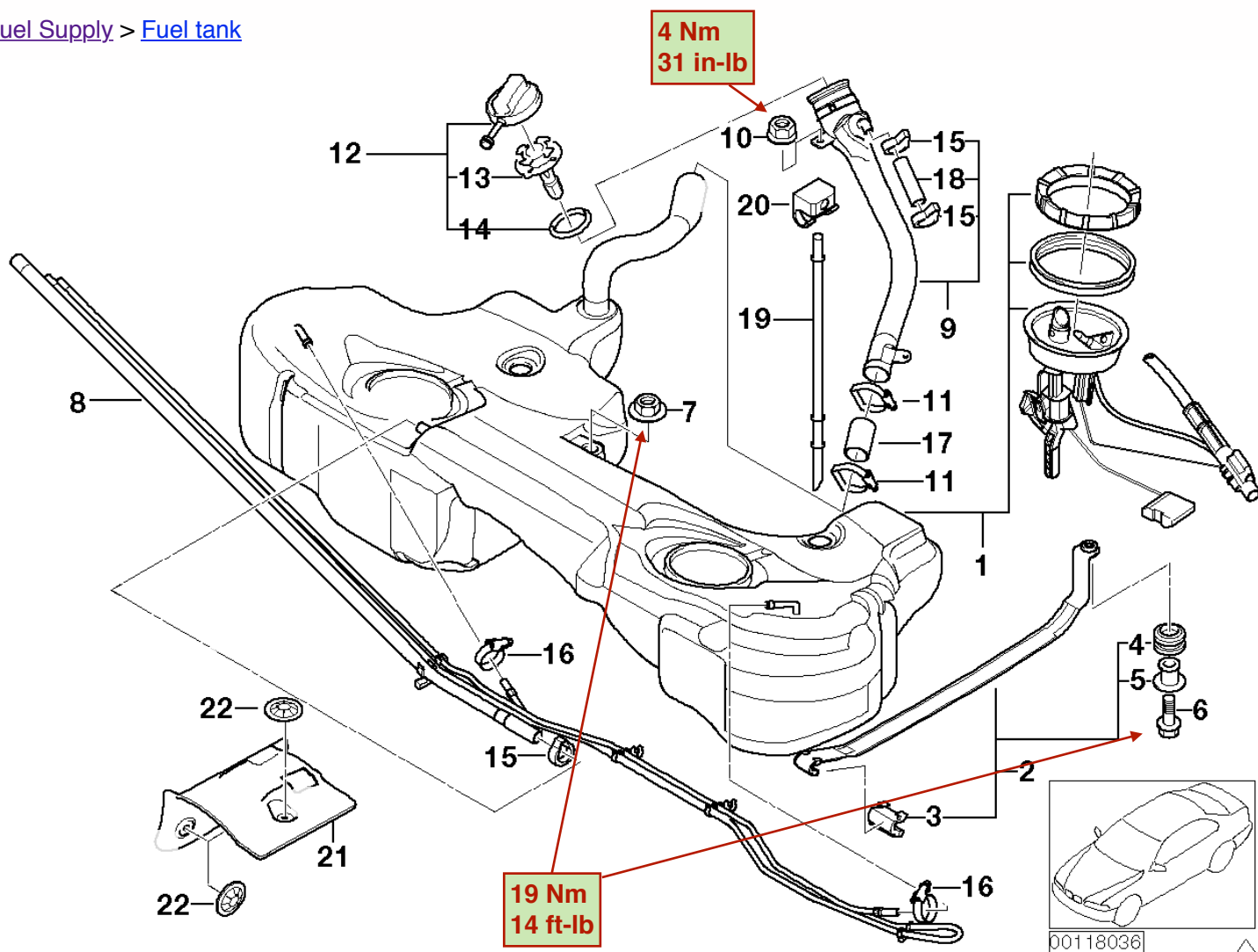
00279446

| No. | Description | Supp. | Qty | From | Up To | Part Number | Price | Notes |
|-----|---------------------------------|-------------|-----|------|-------|-----------------------------|----------|-------|
| 01 | Drive flange hub | | 2 | | | 33412229120 | \$132.12 | |
| 02 | Lock Ring | 85X3 | 2 | | | 07119934755 | \$1.63 | |
| 03 | Angular ball bearing | 45X85,05X41 | 2 | | | 33411090505 | \$83.67 | |
| 04 | Collar nut | M27X1,5 | 2 | | | 33411133785 | \$10.86 | |
| 05 | Service Kit wheel bearing, rear | VALUE LINE | 2 | | | 33412295519 | | |

Copyright © RealOEM.com

3' E46 M3 FUEL TANK/ATTACHING PARTS

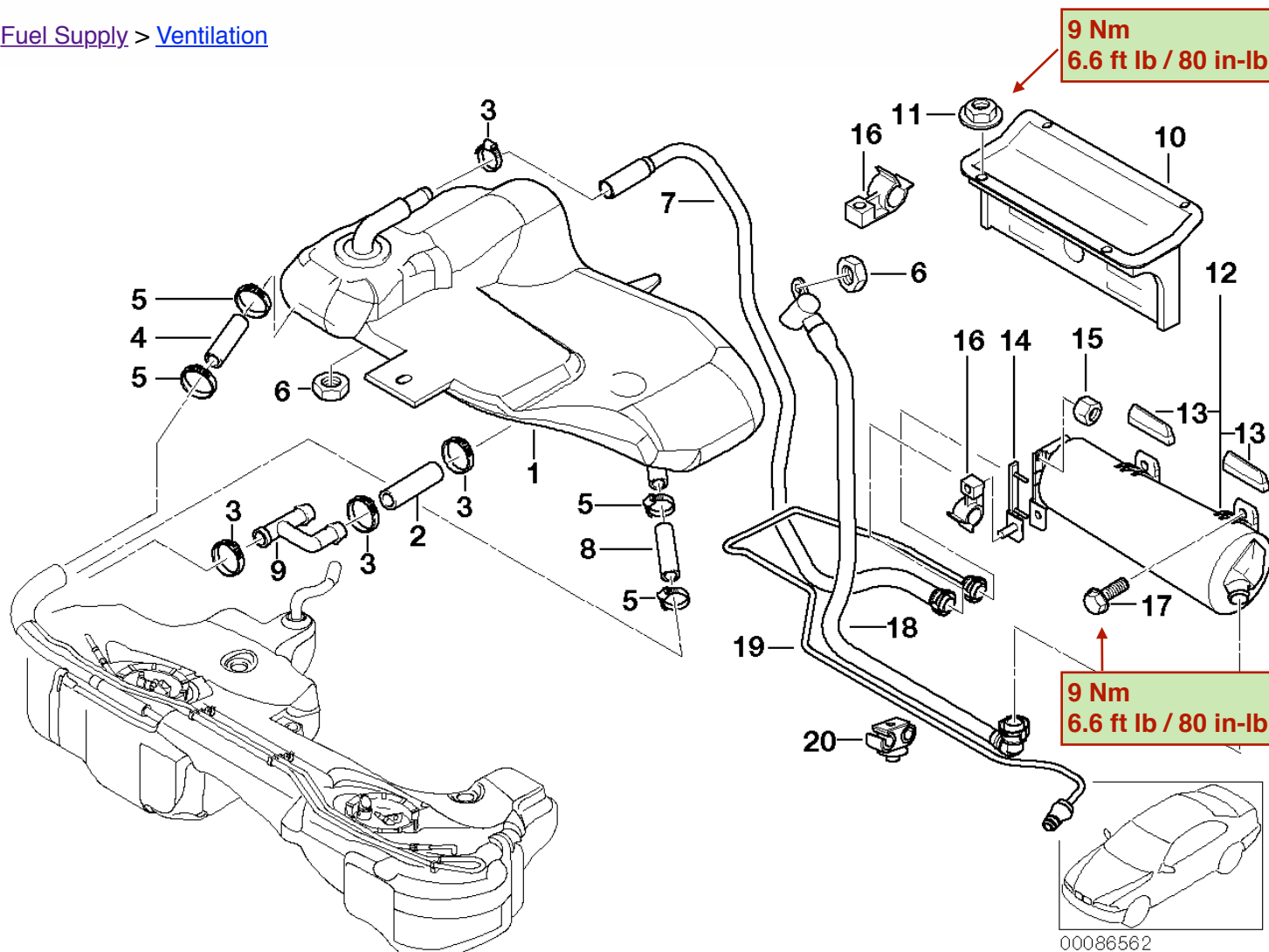
[Fuel Supply](#) > [Fuel tank](#)



| No. | Description | Supp. | Qty | From | Up To | Part Number | Price | Notes |
|-----|---|------------------------|-----|---------|---------|-----------------------------|----------|-------|
| 01 | Plastic fuel tank with left sensor | | 1 | | | 16112229736 | \$430.25 | |
| 02 | Tension strap | | 2 | | | 16116756583 | \$26.17 | |
| 03 | Damper rubber | | 2 | | | 16111184018 | \$17.35 | |
| 04 | Rubber grommet | | 2 | | | 16111182454 | \$0.93 | |
| 05 | Spacer sleeve | | 2 | | 09/2000 | 16117195118 | | |
| 05 | Spacer sleeve | | 2 | | | 16117194458 | \$3.23 | |
| 06 | Hex bolt with washer | M8X30-ZNNIV SI | 2 | | | 07119905532 | \$1.25 | |
| 07 | Hex nut | M8-8-ZNS3 | 1 | | | 07146760121 | \$1.09 | |
| 08 | Fuel vent pipe | | 1 | | | 16117176555 | | |
| 09 | PLASTIC FILLER PIPE only in conjunction with | | 1 | | 05/2001 | 16112283289 | | |
| -- | Filler cap | | 1 | | 05/2001 | 16117193372 | | |
| 09 | PLASTIC FILLER PIPE | | 1 | 05/2001 | | 16112283289 | | |
| 09 | For vehicles with NATIONAL VERSION JAPAN or Equipment for leaded fuel | L807A=Yes S199A=Yes | 1 | | 05/2001 | 16117176559 | | |
| 09 | PLASTIC FILLER PIPE only in conjunction with | | 1 | | 05/2001 | 16117176559 | | |

3' E46 M3 EXP.TANK/ACTIVATED CARBON CONTAINER

[Fuel Supply](#) > [Ventilation](#)

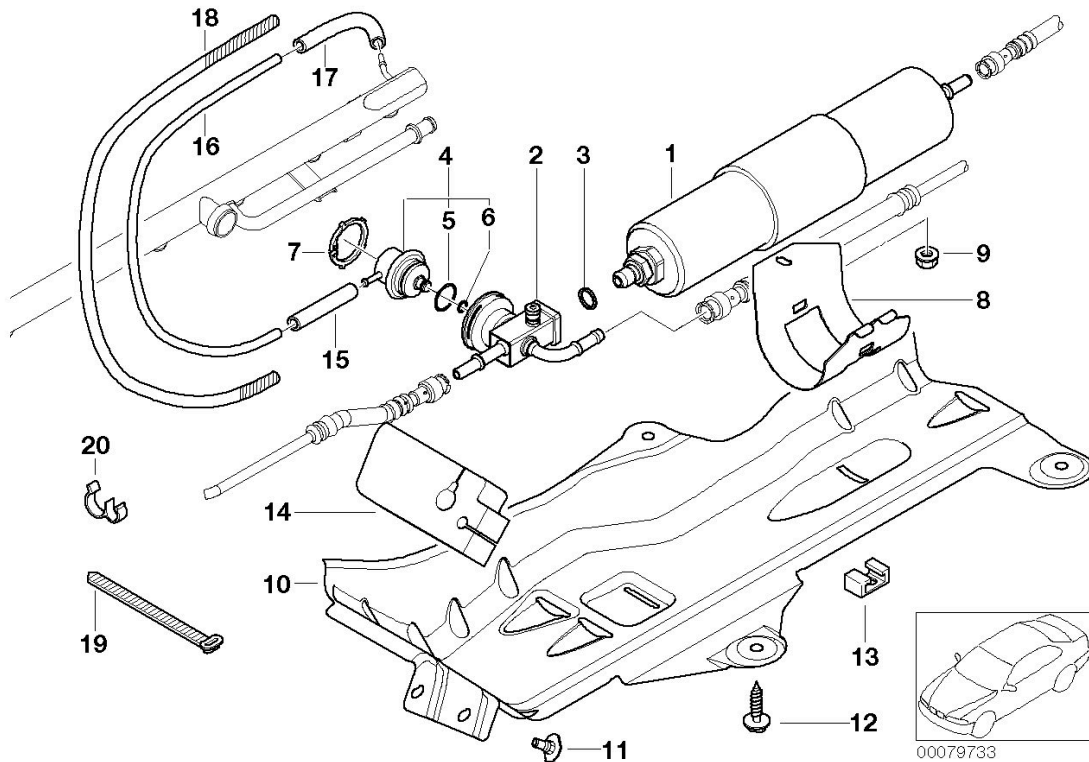


| No. | Description | Supp. | Qty | From | Up To | Part Number | Price | Notes |
|-----|--------------------------------------|-------------|-----|------|---------|-----------------------------|----------|-------|
| 01 | Expansion tank | | 1 | | | 16132283280 | | |
| 02 | Fuel hose | D18X24X65 | 1 | | | 16116772266 | | |
| 03 | Hose clamp | 23,9-27,1 | 4 | | | 11631716970 | \$0.79 | |
| 04 | Hose | D8 / D6 | 1 | | | 16137177605 | | |
| 05 | Hose clamp | 12,8-15,3 | 4 | | | 16121180240 | \$0.77 | |
| 06 | Plastic nut | | 1 | | | 51711958025 | \$0.26 | |
| 07 | Vent pipe | | 1 | | | 16132283286 | \$50.70 | |
| 08 | Fuel hose | 8X13MMX1000 | X | | | 13537563456 | \$44.77 | |
| 09 | DISTRIBUTION PIECE | 3 X D18 | 1 | | | 16117175999 | | +core |
| 10 | holder for activated charcoal filter | | 1 | | | 16132229735 | \$74.32 | |
| 11 | SELF-LOCKING HEX NUT | M6 | 4 | | | 07147153450 | \$0.47 | |
| 12 | Activated Charcoal Filter | | 1 | | | 16136753872 | \$272.47 | |
| 13 | Cap | | 2 | | | 16131183918 | \$3.32 | |
| 14 | BRACKET ACTIVATED CARBON CONTAINER | | 1 | | | 16136753873 | | |
| 15 | Hex nut | | 2 | | | 61131372722 | \$0.28 | |
| 16 | Cable clip | D18 | 4 | | | 16131183931 | \$1.08 | |
| 17 | Hex bolt with washer | M6X25-ZNNIV | 2 | | 11/2000 | 07119905400 | \$0.65 | |

3' E46 M3 Fuel filter, pressure regulator

Fuel Preparation System > Fuel Supply

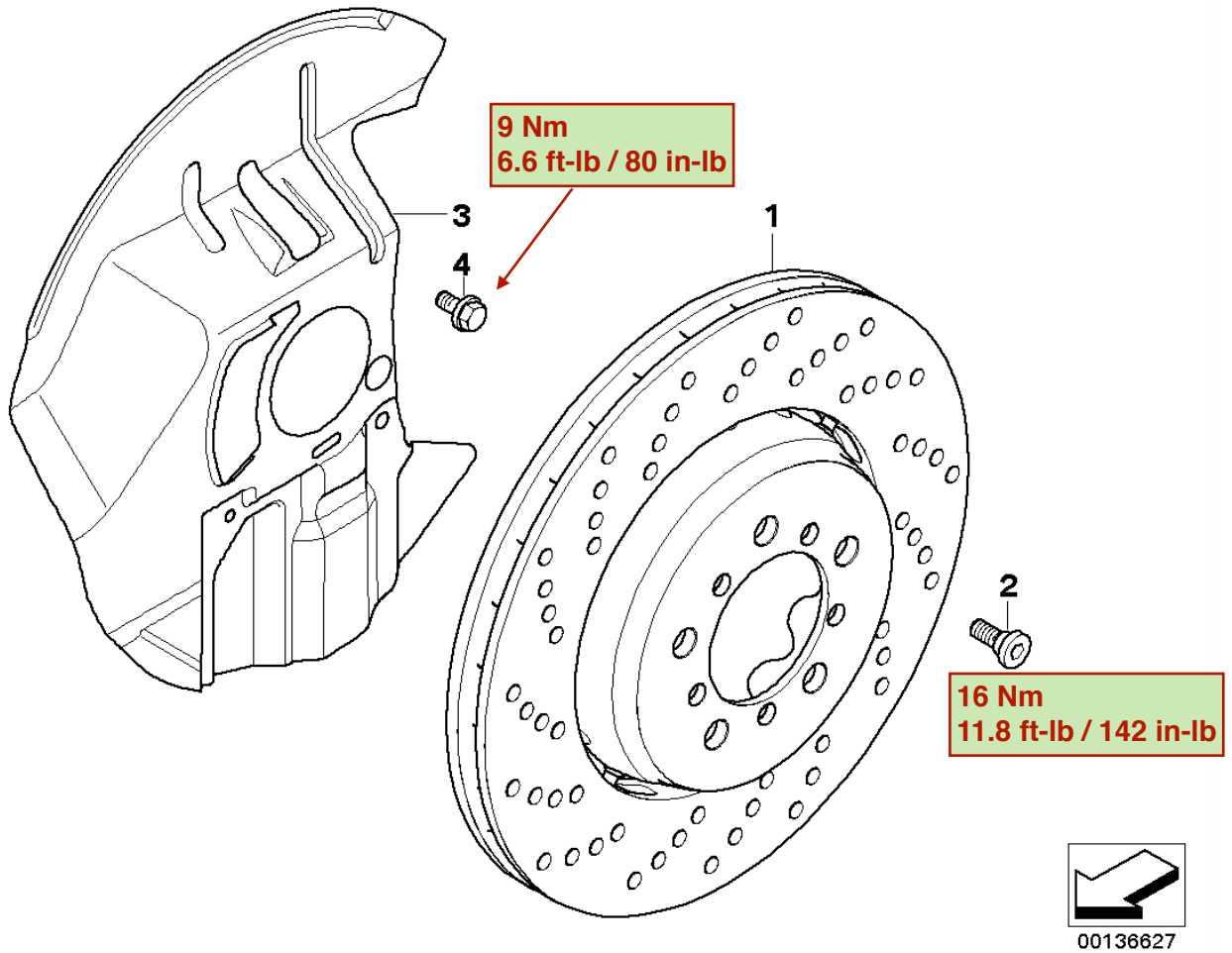
Fuel pressure regulator : 5 bar



| No. | Description | Supp. | Qty | From | Up To | Part Number | Price | Notes |
|-----|-----------------------------|----------------|-----|------|-------|-----------------------------|----------|-------|
| 01 | Fuel filter | | 1 | | | 13327831089 | \$58.74 | |
| 02 | Housing, pressure regulator | | 1 | | | 13537830368 | \$113.73 | |
| 03 | Gasket ring | A12X15-CU | 1 | | | 07119963129 | \$0.11 | |
| 04 | PRESSURE REGULATOR | | 1 | | | 13531404089 | \$75.10 | |
| 05 | O-ring | 20X2,5 | 1 | | | 13531720251 | \$4.38 | |
| 06 | O-ring | 5X1,5 | 1 | | | 13531720252 | \$3.75 | |
| 07 | Lock Ring | | 1 | | | 13531736234 | \$2.12 | |
| 08 | BRACKET FUEL STRAINER | D=55MM | 1 | | | 13321435583 | \$16.33 | |
| 09 | Hex nut with plate | AM6-8-ZNNIV SI | 1 | | | 07129904553 | \$0.64 | |
| 10 | FUEL FILTER COVER | | 1 | | | 13328230397 | \$22.38 | |
| 11 | Hexagon nut with collar | | 2 | | | 07147154227 | \$0.62 | |
| 12 | Hex head screw with washer | ST4,8X16MM | 3 | | | 07147129160 | \$0.36 | |
| 13 | PRESTOL-CAGE | ST4,8 | 3 | | | 07129901746 | \$0.27 | |
| 14 | Sealing element | | 1 | | | 13327830949 | \$3.17 | |
| 15 | VACUUM HOSE BLUE | 3,3X1,8 | X | | | 11747797082 | \$17.14 | |
| 16 | VACUUM HOSE WHITE | 2X4 | X | | | 64111368684 | \$1.77 | |
| 17 | Hose | | 1 | | | 11727837591 | \$9.07 | |
| 18 | Corrugated | Ø 4,5MM | X | | | 12517508831 | \$3.52 | |

3' E46 M3 Front wheel brake disc perforated

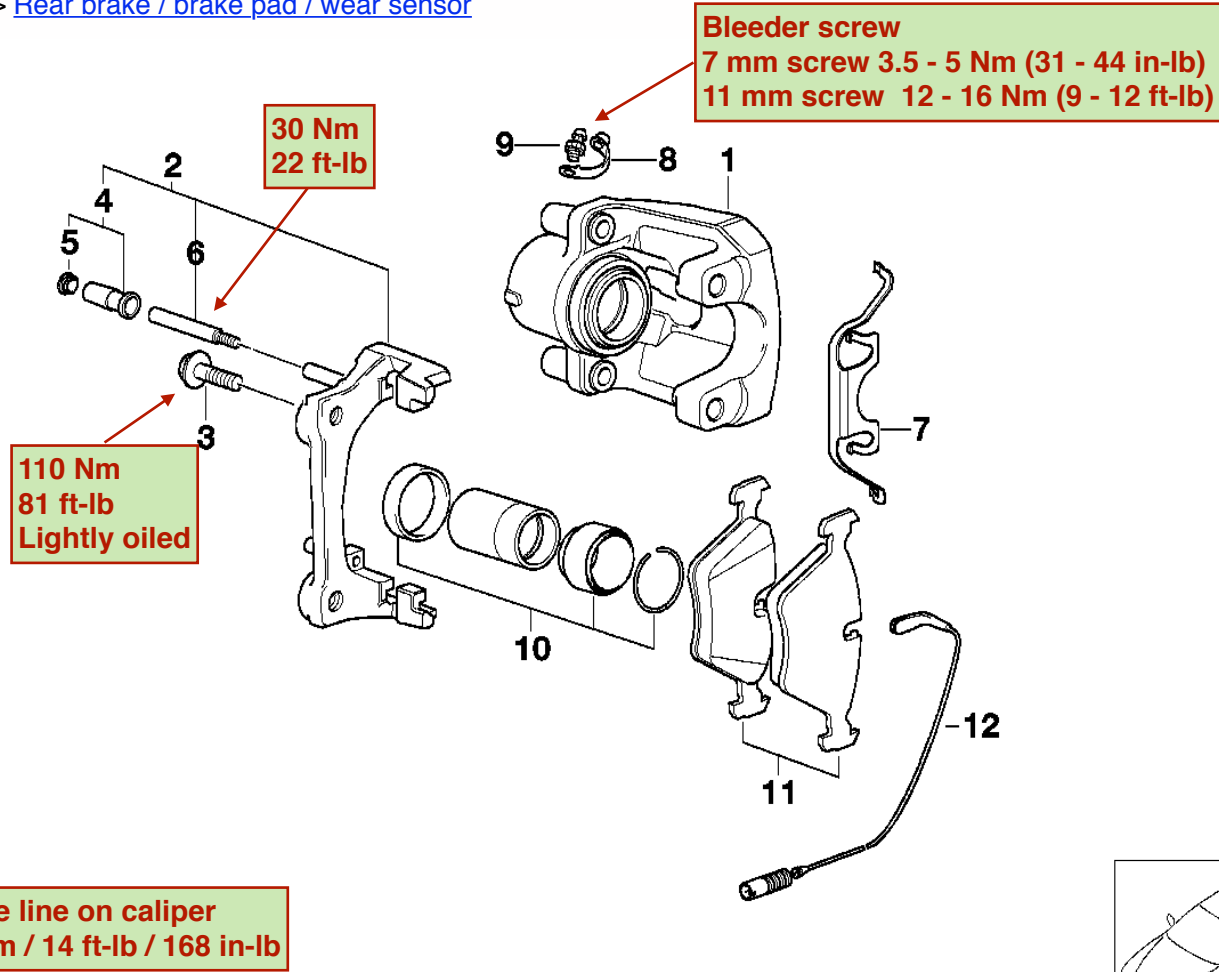
[Brakes](#) > [Front brake / brake disc](#)



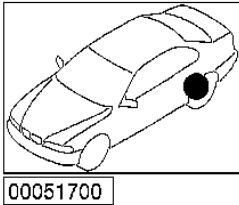
| No. | Description | Supp. | Qty | From | Up To | Part Number | Price | Notes |
|-----|--|-----------|-----|------|-------|-----------------------------|----------|-------|
| 01 | Brake disc, ventilated, left The following additional parts are essential, mandatory requirements: - brake pads - brake pad sensor - brake pad paste The following recommendation applies to vehicles more than 48 months old: - Replace retaining spring refer to Repair Manual! | 325X28 | 1 | | | 34112282801 | \$247.53 | |
| 01 | Brake disc, ventilated, right The following additional parts are essential, mandatory requirements: - brake pads - brake pad sensor - brake pad paste The following recommendation applies to vehicles more than 48 months old: - Replace retaining spring refer to Repair Manual! | 325X28 | 1 | | | 34112282802 | \$247.53 | |
| | For vehicles with Competition package | S7MAA=Yes | | | | | | |

3' E46 M3 Rear brake / brake pad / wear sensor

[Brakes](#) > [Rear brake / brake pad / wear sensor](#)



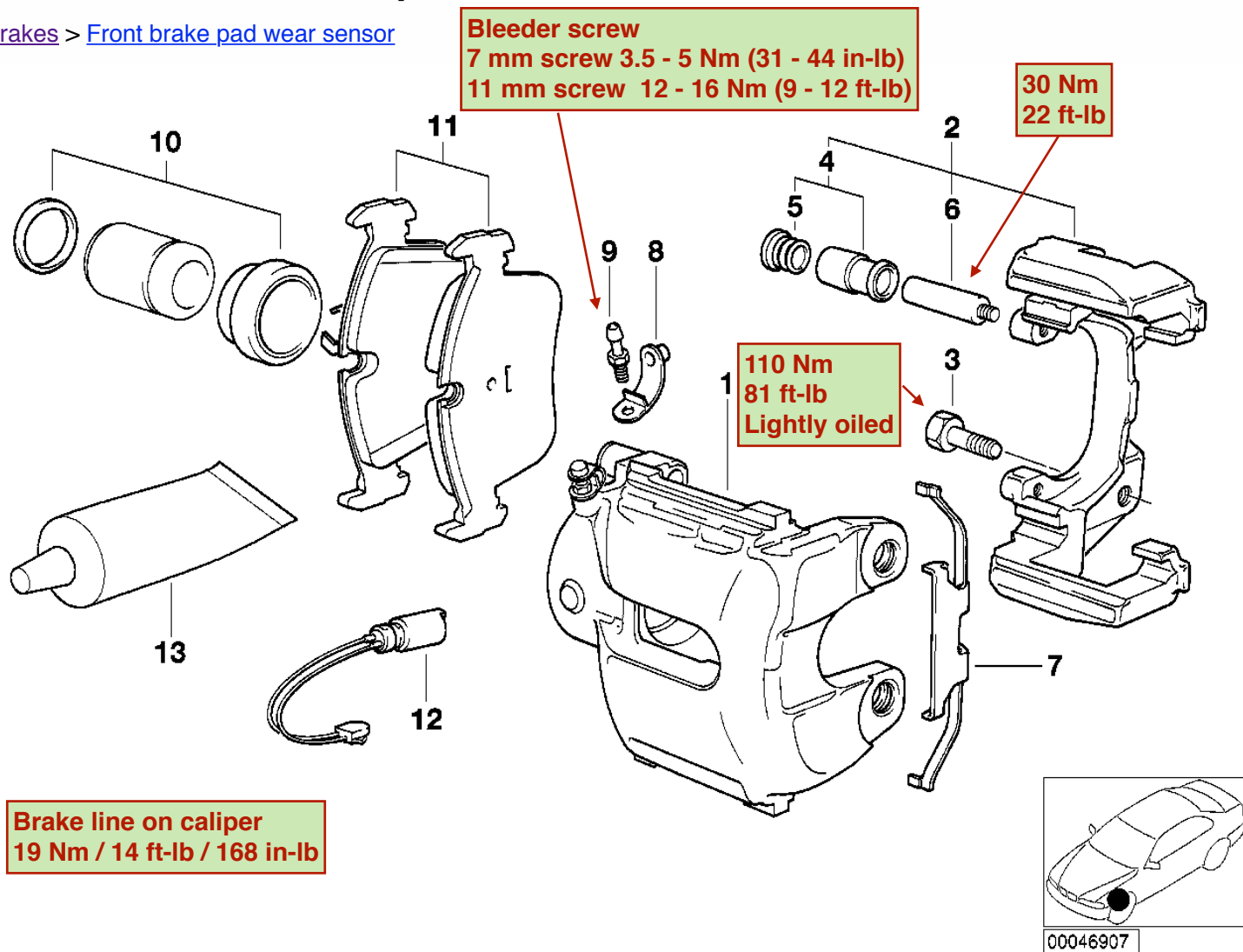
Brake line on caliper
19 Nm / 14 ft-lb / 168 in-lb



| No. | Description | Supp. | Qty | From | Up To | Part Number | Price | Notes |
|--|--|-----------|-----|---------|---------|-----------------------------|----------|-------|
| 01 | Caliper housing left | | 1 | | | 34212282195 | \$442.44 | |
| 01 | CALIPER HOUSING RIGHT | | 1 | | | 34212282196 | \$442.44 | |
| For vehicles with Competition package | | S7MAA=Yes | | | | | | |
| 01 | Caliper housing left | | 1 | 12/2004 | | 34212282857 | \$442.44 | |
| 01 | CALIPER HOUSING RIGHT | | 1 | 12/2004 | | 34212282858 | \$442.44 | |
| 02 | BRAKE CARRIER | | 2 | | | 34212229705 | \$212.55 | |
| For vehicles with Competition package | | S7MAA=Yes | | | | | | |
| 02 | BRAKE CARRIER | | 2 | 12/2004 | 12/2005 | 34212282859 | \$200.82 | ENDED |
| 02 | BRACKET LEFT | | 1 | 12/2005 | | 34217840611 | \$181.18 | |
| -- | only in conjunction with BRACKET RIGHT | | 1 | 12/2005 | | 34217840612 | \$181.18 | |
| 02 | BRACKET RIGHT | | 1 | 12/2005 | | 34217840612 | \$181.18 | |
| -- | only in conjunction with BRACKET LEFT | | 1 | 12/2005 | | 34217840611 | \$181.18 | |
| 03 | Collar screw, micro-encapsulated | M10X26,5 | 4 | | | 34203414763 | \$1.32 | |
| 04 | REPAIR KIT GUIDE BUSH | | 2 | | | 34111157038 | \$25.37 | ENDED |

3' E46 M3 Front brake pad wear sensor

[Brakes](#) > [Front brake pad wear sensor](#)



Brake line on caliper
19 Nm / 14 ft-lb / 168 in-lb

Bleeder screw
7 mm screw 3.5 - 5 Nm (31 - 44 in-lb)
11 mm screw 12 - 16 Nm (9 - 12 ft-lb)

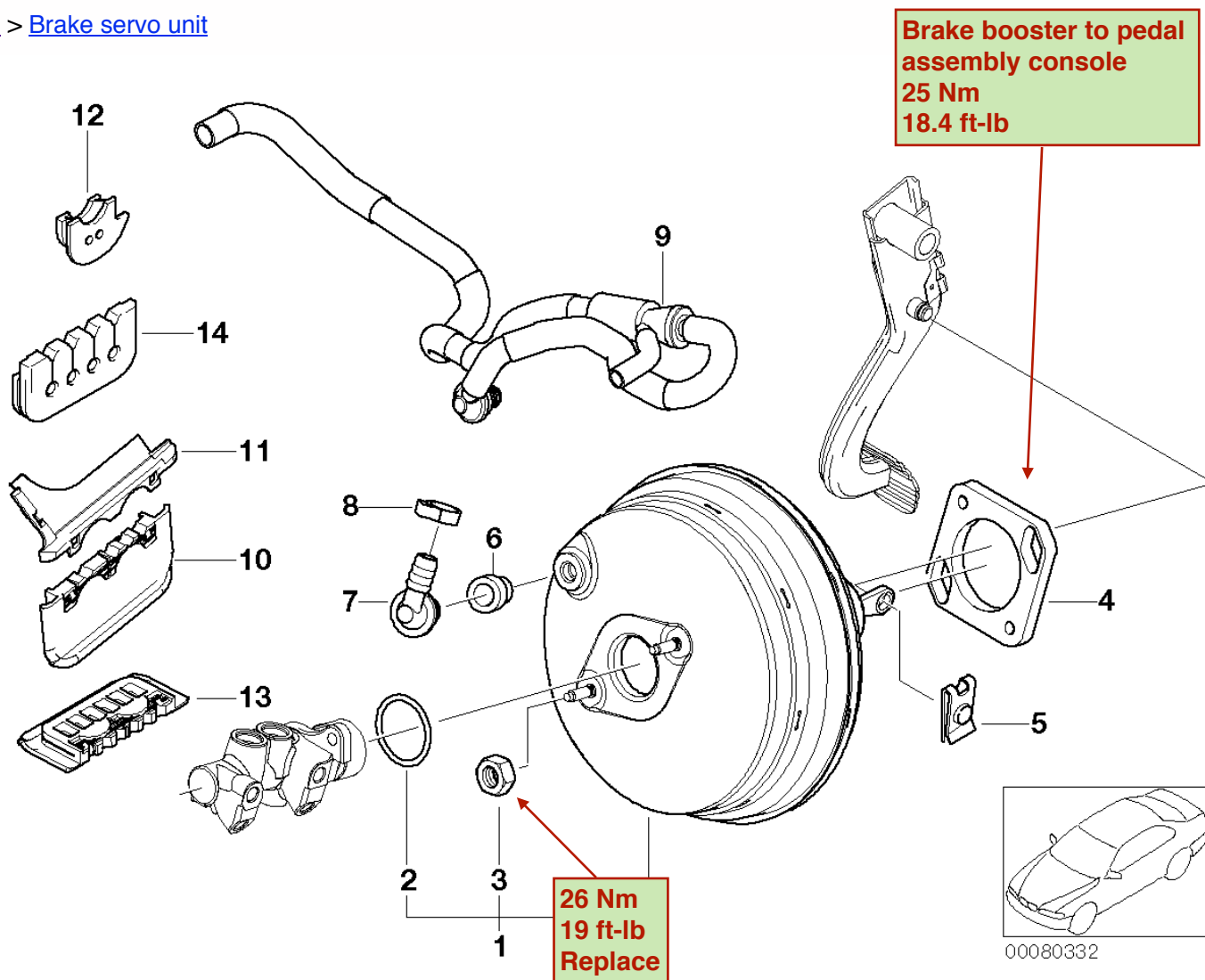
30 Nm
22 ft-lb

110 Nm
81 ft-lb
Lightly oiled

| No. | Description | Supp. | Qty | From | Up To | Part Number | Price | Notes |
|-----|---|--------------------|-----|---------|-------|-----------------------------|----------|-------|
| 01 | Caliper housing left | | 1 | | | 34112282617 | \$410.35 | |
| 01 | CALIPER HOUSING RIGHT | | 1 | | | 34112282618 | \$410.35 | |
| 02 | BRAKE CARRIER | | 2 | | | 34112282177 | \$247.65 | |
| 02 | For vehicles with Competition package BRAKE CARRIER | S7MAA=Yes | 2 | 12/2004 | | 34112282619 | \$254.96 | |
| 03 | Hex bolt | M12X1,5X41 | 4 | | | 34111156989 | \$2.52 | |
| 03 | Hex bolt | M12X1,5X41 ZNS3 | 4 | | | 34116767217 | \$1.75 | |
| 04 | REPAIR KIT GUIDE BUSH | | 2 | | | 34111157038 | \$25.37 | ENDED |
| 04 | REPAIR KIT GUIDE BUSH | | 2 | | | 34216869617 | | |
| 05 | PROTECTIVE PLUG | | 4 | | | 34111154979 | \$1.80 | |
| 06 | GUIDING BOLT | | 4 | | | 34111157041 | \$20.02 | |
| 07 | Clip | | 2 | | | 34112227670 | \$13.88 | |
| 08 | DUST CAP | | 2 | | | 34111153198 | \$6.15 | |
| 09 | Ventilation valve | | 2 | | | 34116758107 | \$6.58 | |
| 10 | Repair set brake caliper | | 2 | | | 34111157037 | \$25.42 | |
| 11 | Repair kit, brake pads asbestos-free | | 1 | | | 34112282995 | \$142.23 | |

3' E46 M3 Power brake unit depression

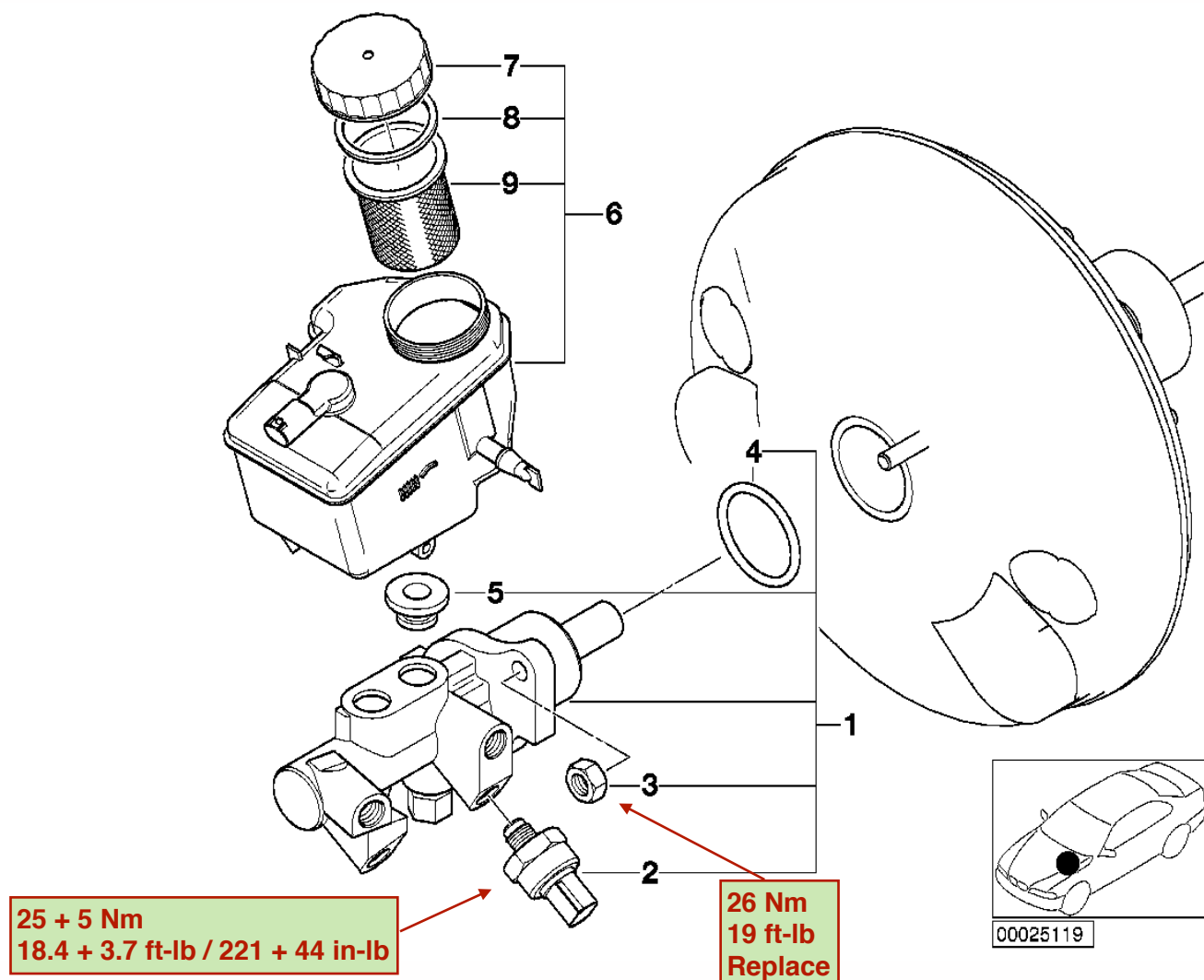
[Brakes](#) > [Brake servo unit](#)



| No. | Description | Supp. | Qty | From | Up To | Part Number | Price | Notes |
|----------|--|--------------|-----|---------|---------|-----------------------------|----------|-------|
| <i>i</i> | VACUUM PIPE REFER TO MAIN GROUP 11 | | | | | | | |
| 01 | Brake servo unit only in conjunction with | | 1 | | 09/2002 | 34332282193 | \$451.10 | |
| -- | Self-locking collar nut | M8-10 ZNS3 | 2 | | 09/2002 | 07119905374 | | |
| 01 | Brake servo unit only in conjunction with | | 1 | 09/2002 | | 34332282622 | \$403.33 | |
| -- | Self-locking collar nut | M8-10 ZNS3 | 2 | 09/2002 | | 07119905374 | | |
| 02 | BRAKE MASTER CYLINDER O-RING | | 1 | | | 34311165092 | \$3.15 | |
| 03 | SELF-LOCKING HEX NUT | M8-8-ZNNI SI | 2 | | | 07129906196 | \$1.60 | |
| 04 | Gasket | D=70MM | 1 | | | 35111165132 | \$3.10 | |
| 05 | Circlip | B10-ZNS3 | 1 | | | 07129904567 | \$0.40 | |
| 06 | Gasket ring | | 1 | | 09/2002 | 34331158929 | \$3.15 | |
| 06 | Gasket | | 1 | 09/2002 | | 34336765316 | \$5.53 | |
| 07 | CHECK VALVE SUPPORT | | 1 | | | 34331161300 | \$9.38 | |
| 08 | Clamp | | 1 | | | 11151726340 | \$1.07 | |
| 09 | Sucking jet pump with lines | | 1 | | 09/2002 | 11617831663 | \$80.42 | +core |
| 09 | Sucking jet pump with lines | | 1 | 09/2002 | | 11617836745 | \$80.42 | +core |

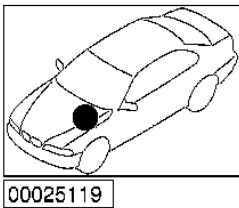
3' E46 M3 Brake master cylinder DSC

[Brakes](#) > [Brake master cylinder](#)



25 + 5 Nm
18.4 + 3.7 ft-lb / 221 + 44 in-lb

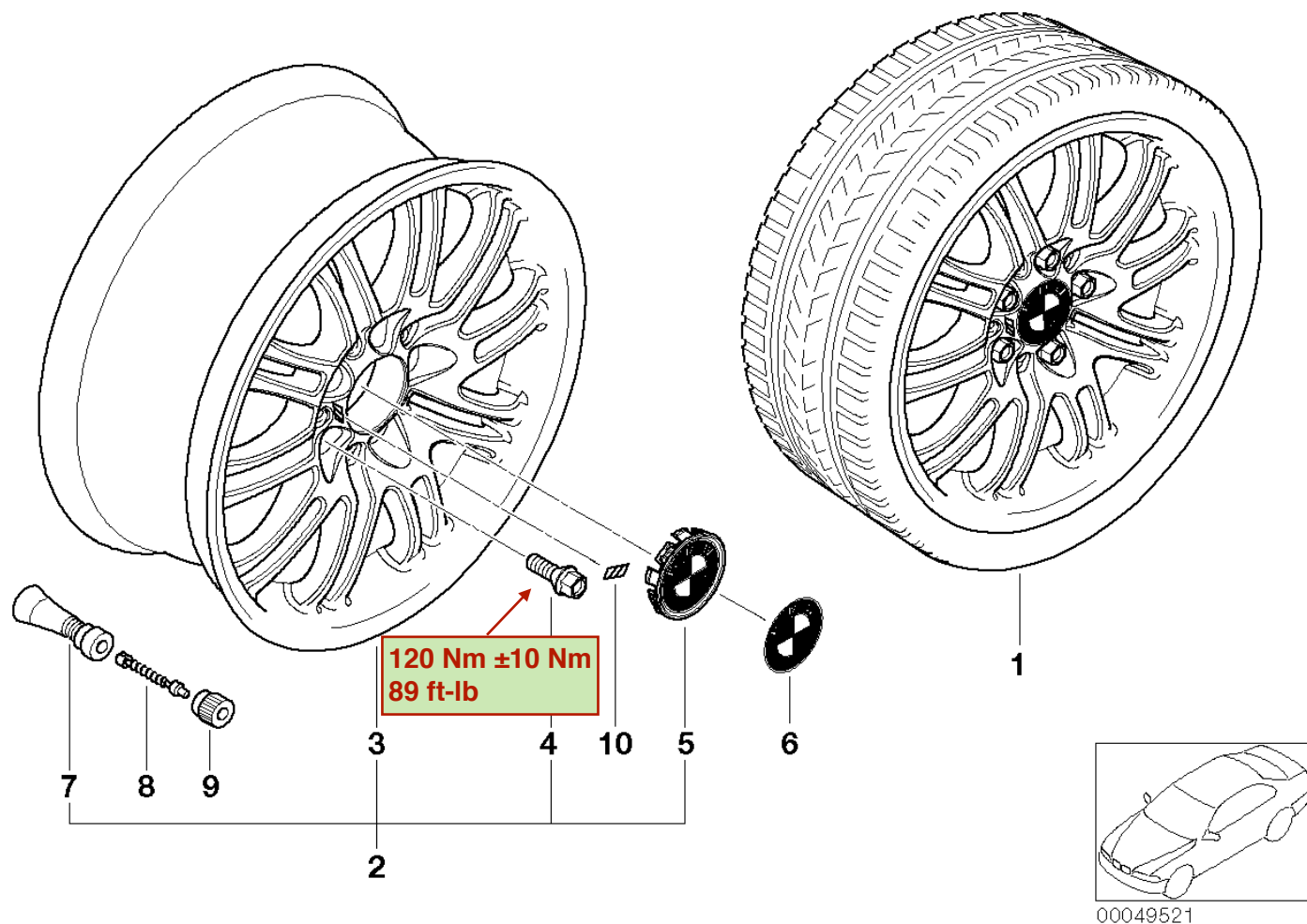
26 Nm
19 ft-lb
Replace



| No. | Description | Supp. | Qty | From | Up To | Part Number | Price | Notes |
|-----|------------------------------------|--------------|-----|------|---------|-----------------------------|----------|-------|
| 01 | Brake master cylinder | | 1 | | 09/2002 | 34312282343 | \$412.84 | |
| 02 | DSC pressure sensor | | 2 | | 09/2002 | 34521164458 | \$139.16 | |
| 03 | SELF-LOCKING HEX NUT | M8-8-ZNNI SI | 2 | | 09/2002 | 07129906196 | \$1.60 | |
| 04 | BRAKE MASTER CYLINDER O-RING | | 1 | | 09/2002 | 34311160617 | \$4.32 | |
| 05 | Sealing plug | | 2 | | 09/2002 | 34311160133 | \$5.08 | |
| 05 | Sealing plug | | 2 | | 09/2002 | 34336873449 | | |
| 06 | EXPANSION TANK with warning switch | | 1 | | 09/2002 | 34326751589 | \$66.85 | |
| 07 | Cover lid | | 1 | | 09/2002 | 34321164039 | \$4.60 | |
| 08 | Gasket | | 1 | | 09/2002 | 34321102798 | \$2.82 | |
| 09 | STRAINER TUBE | | 1 | | 09/2002 | 34321165341 | \$7.97 | |

3' E46 M3 BMW alloy wheel, M double spoke 67

[Wheels](#) > [Light alloy rim](#)



| No. | Description | Supp. | Qty | From | Up To | Part Number | Price | Notes |
|---------------------------|-----------------------------------|----------------|-----|---------|-------|-----------------------------|----------|-------|
| 03 | Light alloy rim chromshadow | 8JX18 ET:47 | 2 | | | 36112229950 | \$683.00 | |
| 03 | Light alloy rim chromshadow | 9JX18 ET:26 | 2 | | | 36112229960 | \$728.00 | +core |
| For vehicles with | | | | | | | | |
| BMW LA wheel M 19" forged | | S792A=Yes | | | | | | |
| 03 | Light alloy rim polished | 8JX19 ET:47 | 2 | | | 36112229650 | \$628.00 | |
| 03 | Light alloy rim polished | 91/2JX19 ET:27 | 2 | | | 36112229660 | \$695.00 | |
| For vehicles with | | | | | | | | |
| Competition package | | S7MAA=Yes | | | | | | |
| or | | | | | | | | |
| BMW LA wheel M 19" forged | | S792A=Yes | | | | | | |
| 03 | Light alloy rim polished | 8JX19 ET:47 | 2 | 12/2004 | | 36112229650 | \$628.00 | |
| 03 | Light alloy rim polished | 91/2JX19 ET:27 | 2 | 12/2004 | | 36112229660 | \$695.00 | |
| 04 | WHEEL BOLT BLACK | M12X1,5 | 16 | | | 36136781150 | \$3.21 | |
| 05 | Wheel center cap with chrome ring | BMW | 4 | | | 36136783536 | \$9.95 | |
| 06 | BMW insignia stamped/painted | | 4 | | | 36136767547 | \$5.02 | ENDED |
| 07 | Rubber valve | L=42,5MM | 4 | | | 36121116326 | \$3.30 | |
| 08 | Valve | | 4 | | | 36141095389 | \$1.38 | |
| 09 | Valve caps | | 4 | | | 36121120779 | \$0.60 | |
| 10 | M badge | | 4 | | | 36112228660 | \$6.62 | |

3' E46 M3 Ignition coil/spark plug

[Engine electrical system](#) > [IGNITION SYSTEM](#)



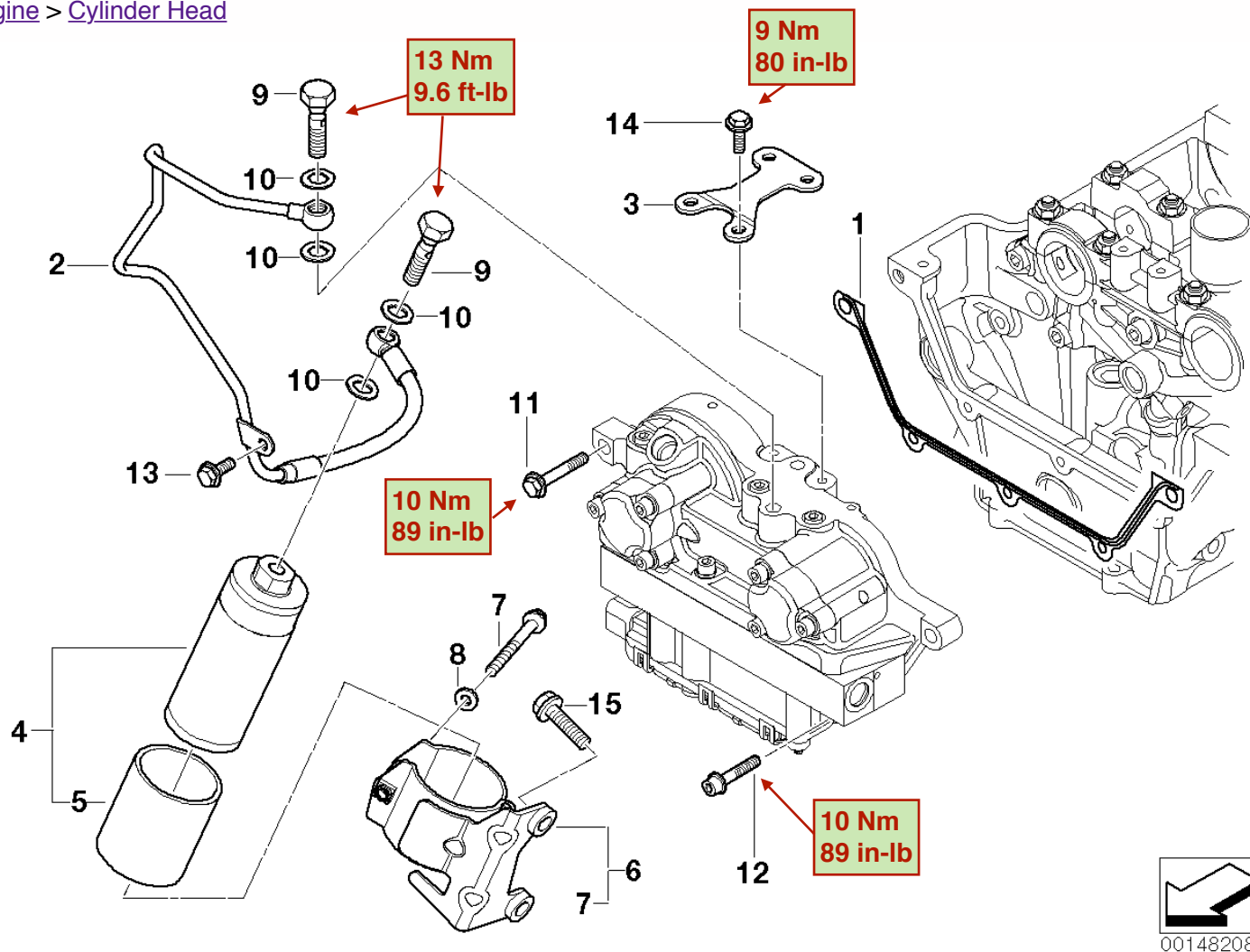
| No. | Description | Supp. | Qty | From | Up To | Part Number | Price | Notes |
|-----|--|-----------------------------|-----|------|---------|-----------------------------|---------|-------|
| 01 | Ignition coil | | 6 | | 06/2009 | 12131712219 | \$57.21 | ENDED |
| 01 | Ignition coil | BOSCH | 6 | | | 12137594937 | \$57.21 | ENDED |
| 01 | Ignition coil | ELDOR | 6 | | | 12138657273 | | |
| 02 | Locking mechanism | | 6 | | | 12131437986 | \$1.10 | |
| 03 | Spark plug | NGK DCPR8EKP | 6 | | | 12120022902 | \$21.42 | |
| 04 | Socket housing only in conjunction with | | 1 | | 08/2008 | 12521437985 | \$2.53 | ENDED |
| -- | Socket terminal SLK 2.8 ELA with wire | 0,2- 0,5MM ² | 2 | | 08/2008 | 12520007170 | \$2.03 | |
| -- | Socket terminal SLK 2.8 ELA with wire | 0,5- 1,0 MM ² SN | 1 | | 08/2008 | 12520007172 | \$2.03 | |
| 04 | Socket housing only in conjunction with | | 1 | | | 12527519996 | | |
| -- | Socket terminal SLK 2.8 ELA with wire | 0,2- 0,5MM ² | 2 | | | 12520007170 | \$2.03 | |
| -- | Socket terminal SLK 2.8 ELA with wire | 0,5- 1,0 MM ² SN | 1 | | | 12520007172 | \$2.03 | |

Notes

- ENDED = the part has been discontinued (no longer available).

3' E46 M3 VANOS CYLINDER HEAD MOUNTING PARTS

[Engine](#) > [Cylinder Head](#)



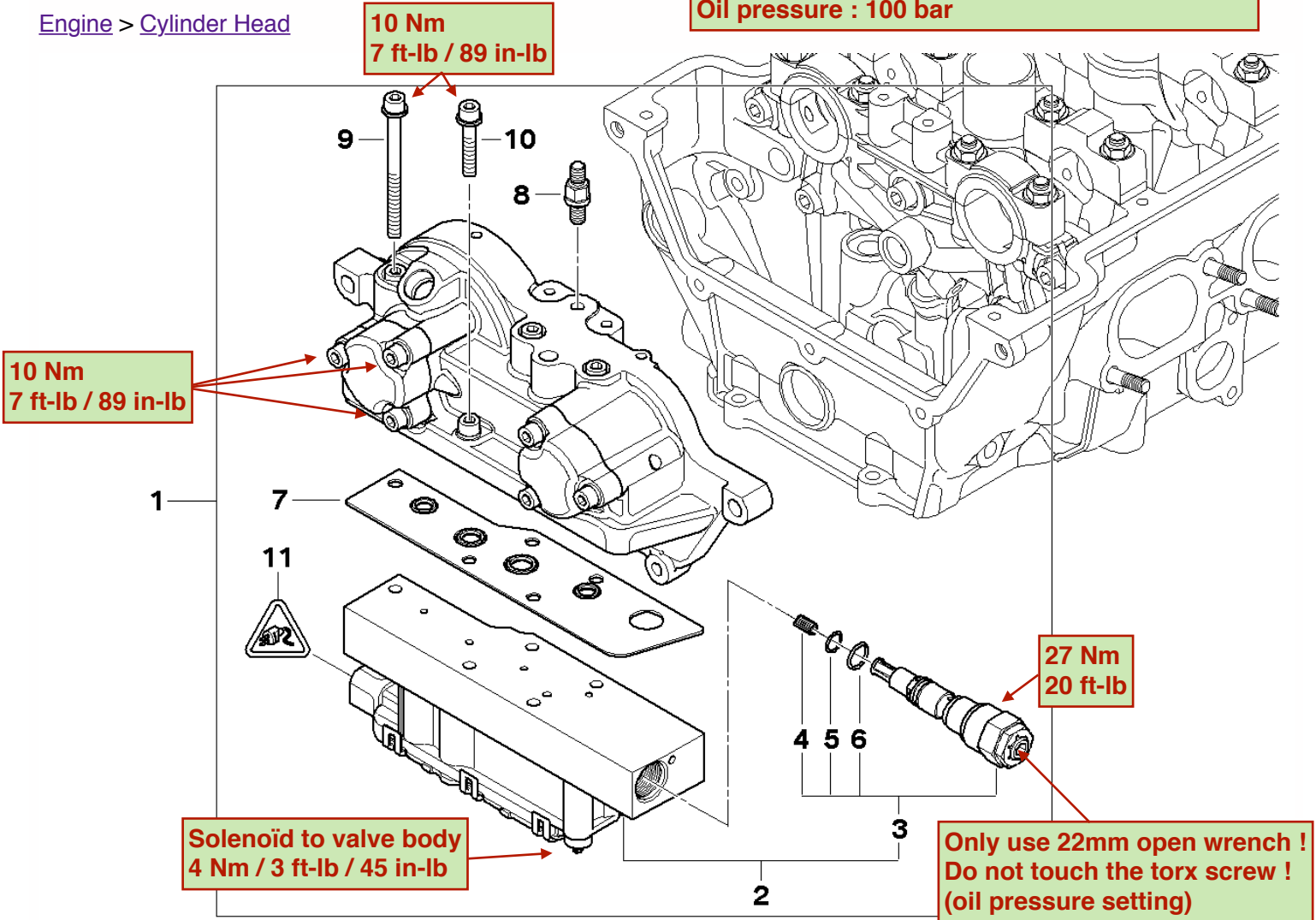
| No. | Description | Supp. | Qty | From | Up To | Part Number | Price | Notes |
|-----|-------------------------------|-----------------|-----|------|---------|-----------------------------|----------|-------|
| 01 | Gasket Steel | | 1 | | | 11367831938 | \$11.69 | |
| 02 | PRESSURE HOSE ASSY | | 1 | | | 11367837614 | \$83.67 | |
| 03 | Holder | | 1 | | | 11367830635 | \$1.77 | |
| 04 | PRESSURE ACCUMULATOR | | 1 | | | 11367836050 | \$274.32 | |
| 05 | Rubber grommet | | 1 | | | 11367831905 | \$10.73 | |
| 06 | Bracket, pressure accumulator | | 1 | | 07/2007 | 11367831701 | \$23.38 | ENDED |
| 06 | Bracket, pressure accumulator | | 1 | | | 11367838607 | \$25.33 | +core |
| 07 | Hex bolt | M6X45 8.8 ZNS3 | 1 | | 05/2008 | 07119902976 | \$0.45 | |
| 07 | Hex bolt with washer | M6X45-U1 | 1 | | | 07119905547 | \$1.17 | |
| 08 | Washer | D= 6MM | 1 | | 05/2008 | 07119904204 | \$1.72 | |
| 09 | Hollow bolt | | 2 | | | 07119905175 | \$3.29 | |
| 10 | Gasket ring | A10X13,5-CU | 4 | | | 07119963072 | \$0.11 | |
| 11 | Hex bolt with washer | M6X35-U1-8.8 | 2 | | | 07119904589 | \$0.47 | |
| 12 | Isa screw with washer | M6X30-8.8-ZNNIV | 3 | | | 07129905537 | \$1.09 | |
| 13 | Hex bolt with washer | M6X12-U1-8.8 | 1 | | | 07119904517 | \$0.36 | |
| 14 | Hex bolt with washer | M6X16-U1-8.8 | 2 | | | 07119904524 | \$0.25 | |
| 15 | Hex bolt with washer | M8X35-U1 | 2 | | | 07119905533 | \$0.44 | |

3' E46 M3 Cylinder Head Vanos

[Engine](#) > [Cylinder Head](#)

Vanos adjustment :
 Intake (E) 70° - 130° / total : 60° / default : 130°
 Exhaust (A) 83° - 128° / total : 45° / default : 83°

Oil pressure : 100 bar



| No. | Description | Supp. | Qty | From | Up To | Part Number | Price | Notes |
|-----|--|-----------------|-----|------|---------|-----------------------------|-----------|-------|
| 01 | AT-adjustment unit | | 1 | | | 11367838161 | \$2554.60 | |
| 03 | PRESSURE LIMITING VALVE | | 1 | | | 11367838080 | \$165.00 | |
| 04 | FILTER CARTRIDGE | | 1 | | | 11361401971 | \$9.20 | |
| 05 | O-ring | 10.82X1.78MM | 1 | | | 11311318659 | \$3.46 | |
| 06 | O-ring | 14X3MM | 1 | | | 11361403325 | \$4.25 | |
| 07 | Sealing plate | | 1 | | | 11367831906 | \$18.58 | |
| 08 | Stud bolt | M7X32 | 1 | | | 11367838083 | \$4.00 | |
| 09 | Isa screw with washer | M6X70-Z1 | 3 | | | 07129905554 | \$0.65 | |
| 10 | Fillister head with washer | M6X30- ZNNIV SI | 2 | | 07/2005 | 07119906222 | \$0.82 | ENDED |
| 10 | Isa screw with washer | M6X30-8.8-ZNNIV | 2 | | | 07129905537 | \$1.09 | |
| 11 | Socket housing only in conjunction with | 6 POL. | 1 | | | 61138383300 | \$3.47 | |
| -- | Bushing contact | 0,2- 0,5MM² | 6 | | | 61130005199 | \$1.88 | |
| -- | Bushing contact | 0,75MM² | 6 | | | 61130006665 | \$1.97 | |

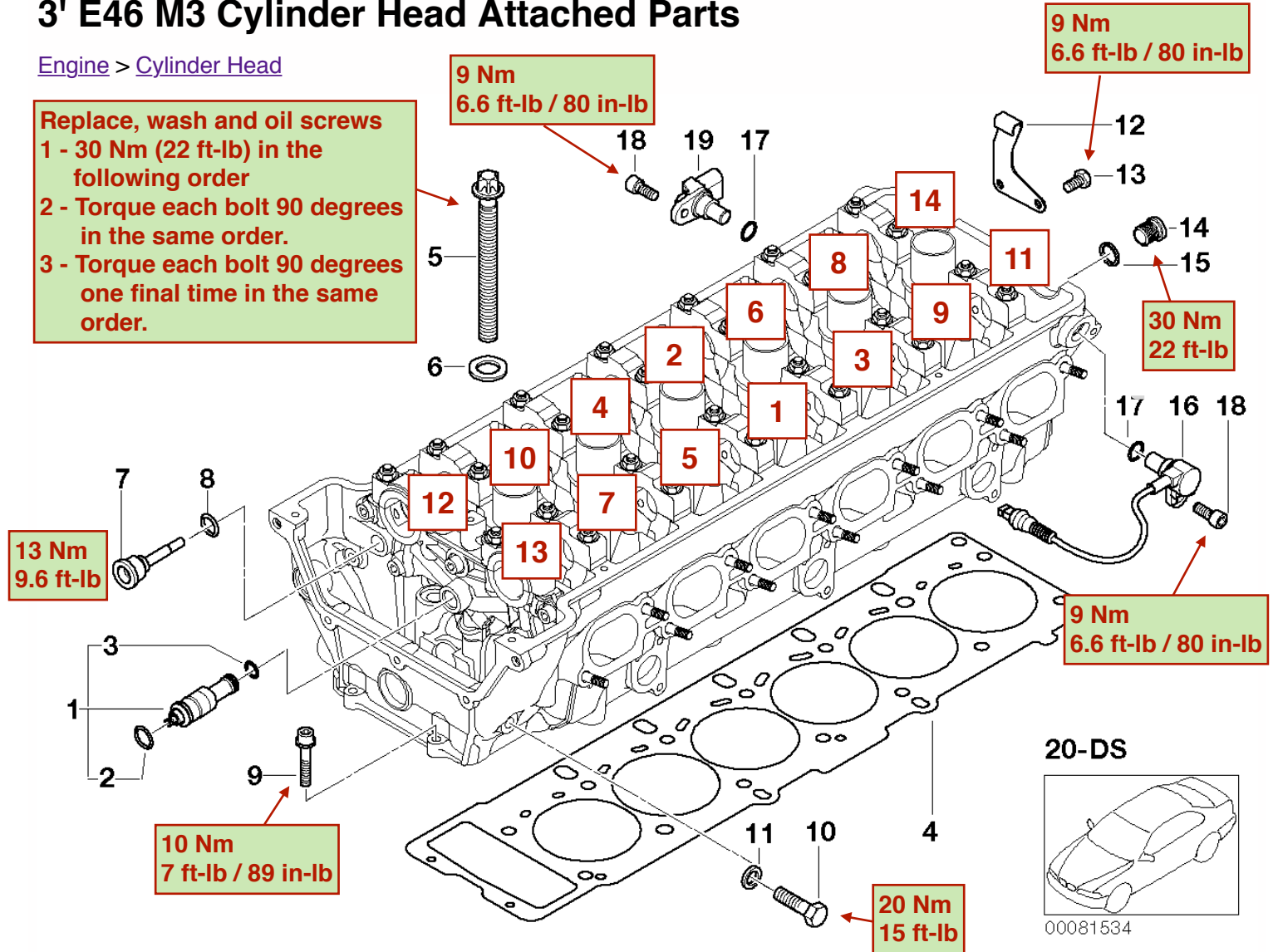
Notes

- ENDED = the part has been discontinued (no longer available).

3' E46 M3 Cylinder Head Attached Parts

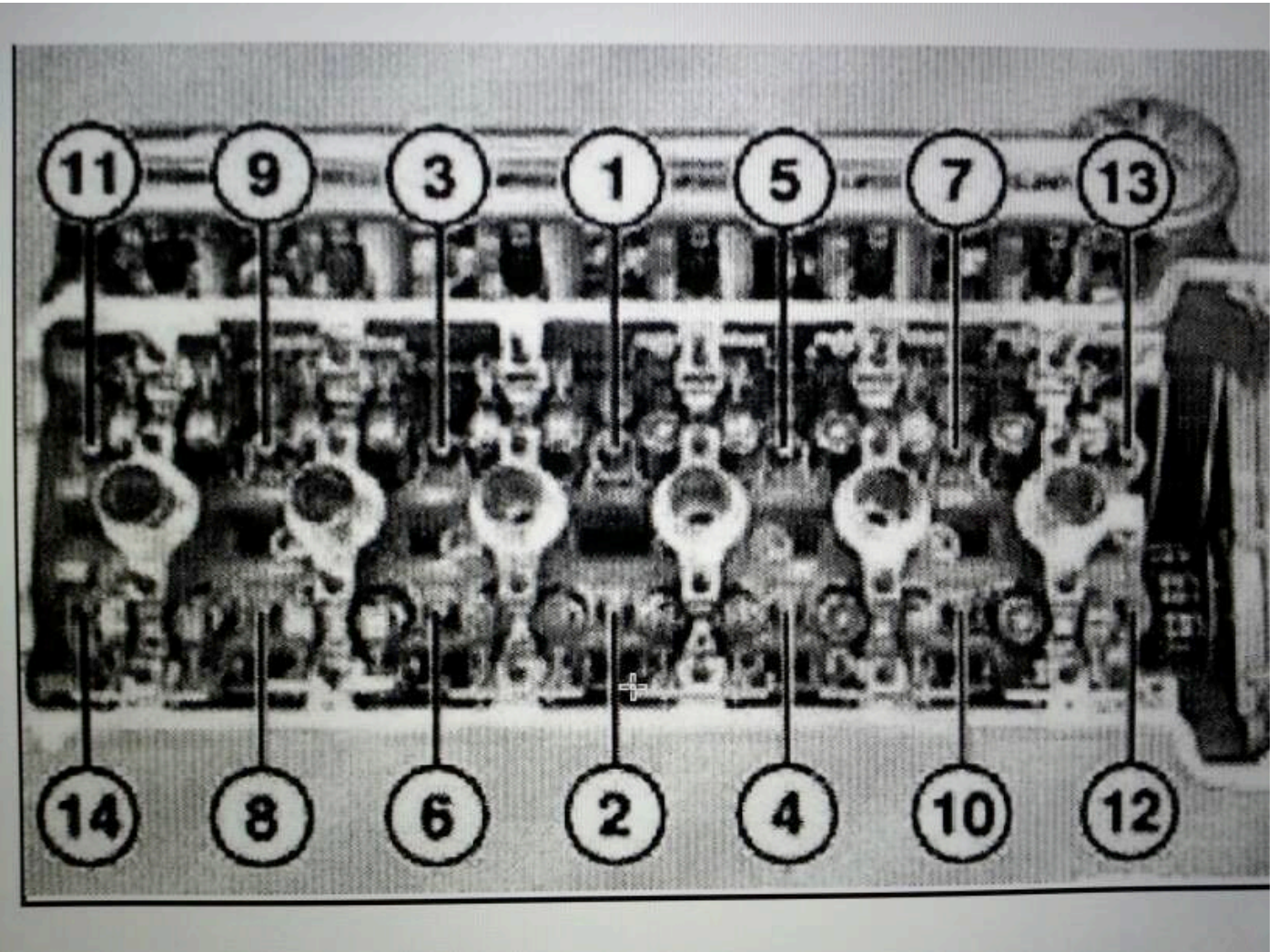
[Engine](#) > [Cylinder Head](#)

Replace, wash and oil screws
 1 - 30 Nm (22 ft-lb) in the following order
 2 - Torque each bolt 90 degrees in the same order.
 3 - Torque each bolt 90 degrees one final time in the same order.



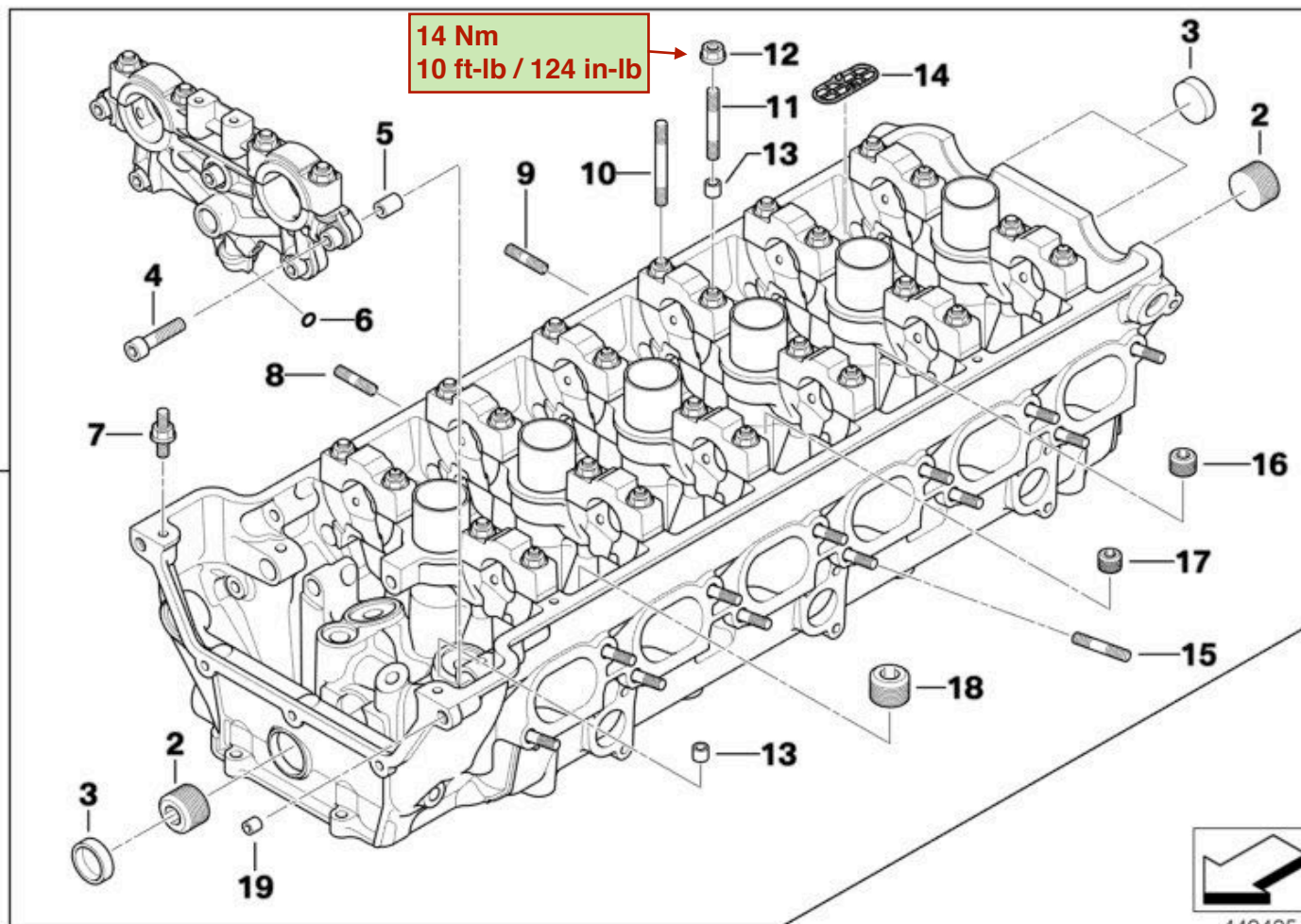
Height of cylinder head (cylinder head must not be machined) 146.0 ± 0.05 mm

| No. | Description | Part No. | QTY | Price | Notes |
|-----|----------------------------|------------------|-----|--|-------|
| 01 | REGULATING VALVE | | 1 | 11367830341 \$89.08 | |
| 02 | O-ring | 16X2MM | 1 | 11411306082 \$2.42 | |
| 03 | O-ring | 10,0X2,0MM | 1 | 11311317318 \$1.27 | |
| 04 | Cylinder head gasket | 0.64MM | 1 | 11127835918 \$119.83 | |
| 05 | Set Bolt Cylinder Head | M11X99 | 1 | 11127831862 \$53.70 | |
| 06 | Washer | | 14 | 11121317361 \$1.03 | |
| 07 | Bolt | | 1 | 11317830377 \$21.22 | |
| 08 | Gasket ring | A20X24-CU | 1 | 07119963342 \$0.24 | |
| 09 | Fillister head with washer | M6X30- ZNNIV SI | 2 | 07/2005 07119906222 \$0.82 | ENDED |
| 09 | Isa screw with washer | M6X30-8.8- ZNNIV | 2 | 07129905537 \$1.09 | |
| 10 | Collar screw | M8X31 | 1 | 11111736005 \$0.77 | |
| 11 | Gasket ring | A8X13-AL | 1 | 07119903546 \$0.16 | |
| 12 | Support plate | | 1 | 11127831228 \$4.06 | |
| 13 | Hex bolt | M6X12-8.8- ZNNIV | 2 | 07119905524 \$0.27 | |
| 14 | Screw plug | M16X1,5 | 2 | 11127838066 \$3.77 | |
| 15 | Gasket ring | A16X20-AL | 2 | 07119963252 \$0.57 | |



3' E46 M3 Cylinder Head

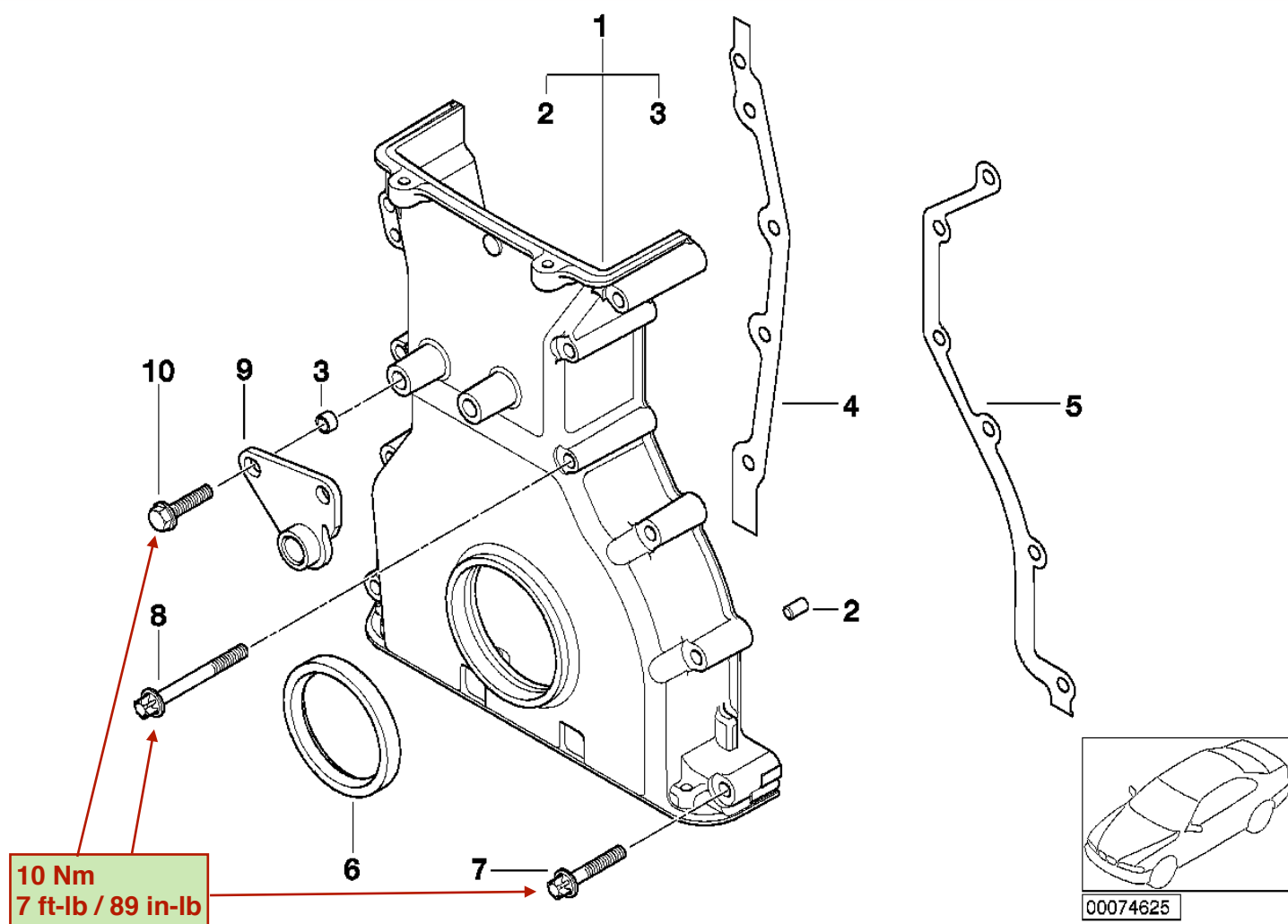
[Engine](#) > [Cylinder Head](#)



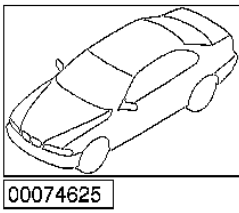
| No. | Description | Supp. | Qty | From | Up To | Part Number | Price | Notes |
|-----|------------------------------|----------------|-----|---------|---------|-----------------------------|-----------|-------|
| 01 | Cylinder head with camshafts | | 1 | | 04/2003 | 11127835498 | \$6157.05 | |
| 01 | Cylinder Head | | 1 | 04/2003 | | 11127837851 | \$4441.46 | +core |
| 02 | Screw plug | M26X1,5 | 2 | | | 11121407412 | \$8.03 | |
| 03 | Cover lid | D=28MM | 3 | | | 07119901197 | \$0.54 | |
| 04 | Fillister head with washer | M8X35-Z3 | 5 | | | 07119900252 | \$2.89 | |
| 05 | Dowel | D=10,5MM | 2 | | | 11121726238 | \$1.62 | |
| 06 | Gasket ring | 8,1X3,5X7,7 | 1 | | | 11141736758 | \$1.71 | |
| 07 | Stud bolt | M7/6X32 | 2 | | | 11127830859 | \$7.58 | |
| 08 | Stud bolt | M7X30 | 18 | | | 07129900298 | \$0.47 | |
| 09 | Stud bolt | M6X30-ZNNIV SI | 2 | | | 07129904544 | \$1.42 | |
| 10 | Stud bolt | M7X60 | 12 | | | 07129903171 | \$0.80 | |
| 11 | Stud bolt | M7X50-10.9-PHR | 16 | | | 07129908191 | \$0.30 | |
| 12 | Hex nut with plate | M7 | 28 | | | 11127838136 | \$0.43 | |
| 13 | Dowel | D=9,5MM | 24 | | | 11127830858 | \$3.48 | |
| 14 | OIL STRAINER | | 5 | | | 11127836328 | \$2.12 | |
| 15 | Stud bolt | M7X40-ZNNIV SI | 12 | | | 07129905384 | \$0.62 | |
| 16 | Screw plug | M16X1,5-ZNS | 2 | | | 07119903282 | \$5.82 | |
| 17 | Screw plug | M14X1,5 | 3 | | | 11127519566 | \$3.10 | |

3' E46 M3 TIMING CASE

[Engine](#) > [Engine housing](#)



10 Nm
7 ft-lb / 89 in-lb



| No. | Description | Supp. | Qty | From | Up To | Part Number | Price | Notes |
|-----|--------------------------|-----------|-----|------|-------|-----------------------------|----------|-------|
| 01 | Timing case cover | | 1 | | | 11147831131 | \$254.40 | +core |
| 02 | Dowel pin | 5 H8X14 | 2 | | | 07119942283 | \$0.85 | |
| 03 | Dowel | D=8,5X9MM | 2 | | | 11121726242 | \$1.07 | |
| 04 | Gasket Asbestos Free | | 1 | | | 11141407692 | \$11.27 | |
| 05 | Gasket Asbestos Free | | 1 | | | 11141407693 | \$11.27 | |
| 06 | Shaft seal | 48X65X10 | 1 | | | 11142249532 | \$24.02 | |
| 07 | ASA-Bolt | M6X40-Z1 | 5 | | | 07129905521 | \$0.81 | |
| 08 | ASA-Bolt | M6X60-Z1 | 5 | | | 07129905522 | \$0.87 | |
| 09 | ENGAGEMENT DOWEL SUPPORT | | 2 | | | 11147838045 | \$6.63 | |
| 10 | Hex bolt with washer | M6X20 | 1 | | | 07119904527 | \$0.44 | |

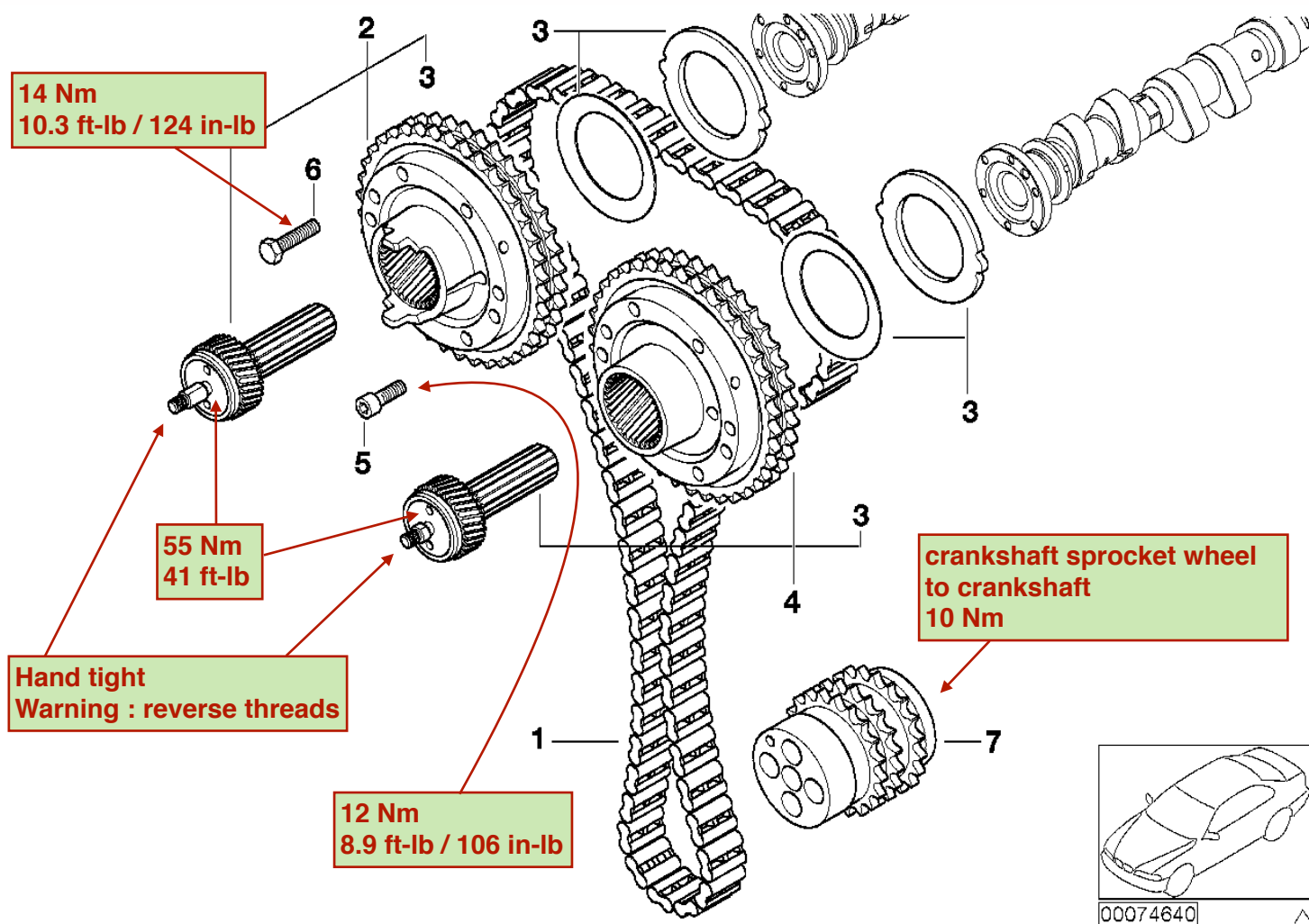
Notes

- +core = plus core charge (possibility of a return of the old part)

Copyright © RealOEM.com

3' E46 M3 Timing and valve train-timing chain

[Engine](#) > [Valve train](#)

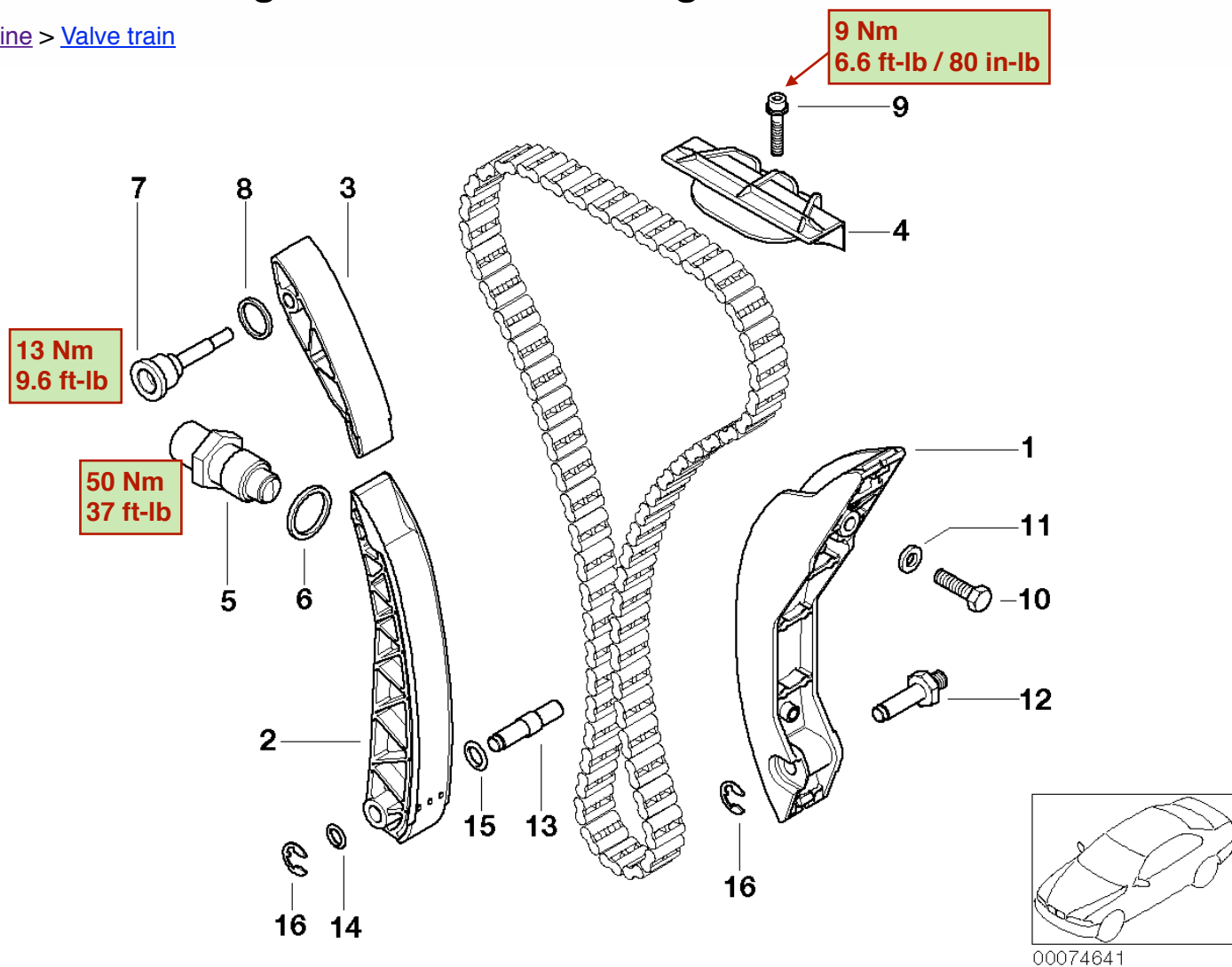


| No. | Description | Supp. | Qty | From | Up To | Part Number | Price | Notes |
|-----|-----------------------|-----------------|-----|------|-------|-----------------------------|----------|-------|
| 01 | Timing chain | | 1 | | | 11317830869 | \$130.96 | |
| 02 | Vanos gearbox, outlet | | 1 | | | 11367832031 | \$918.39 | |
| 03 | Set, diaphragm spring | | 2 | | | 11367830684 | \$16.82 | |
| 04 | Vanos gearbox, inlet | | 1 | | | 11367832030 | \$918.39 | |
| 05 | Fillister-head screw | M6X16-8.8-ZNNIV | 12 | | | 07129905536 | \$0.64 | |
| 06 | Hex bolt | M6X25 | 12 | | | 07119913589 | \$0.62 | |
| 07 | SPROCKET | | 1 | | | 11211401036 | \$184.22 | |

Copyright © RealOEM.com

3' E46 M3 Timing and valve train-timing chain

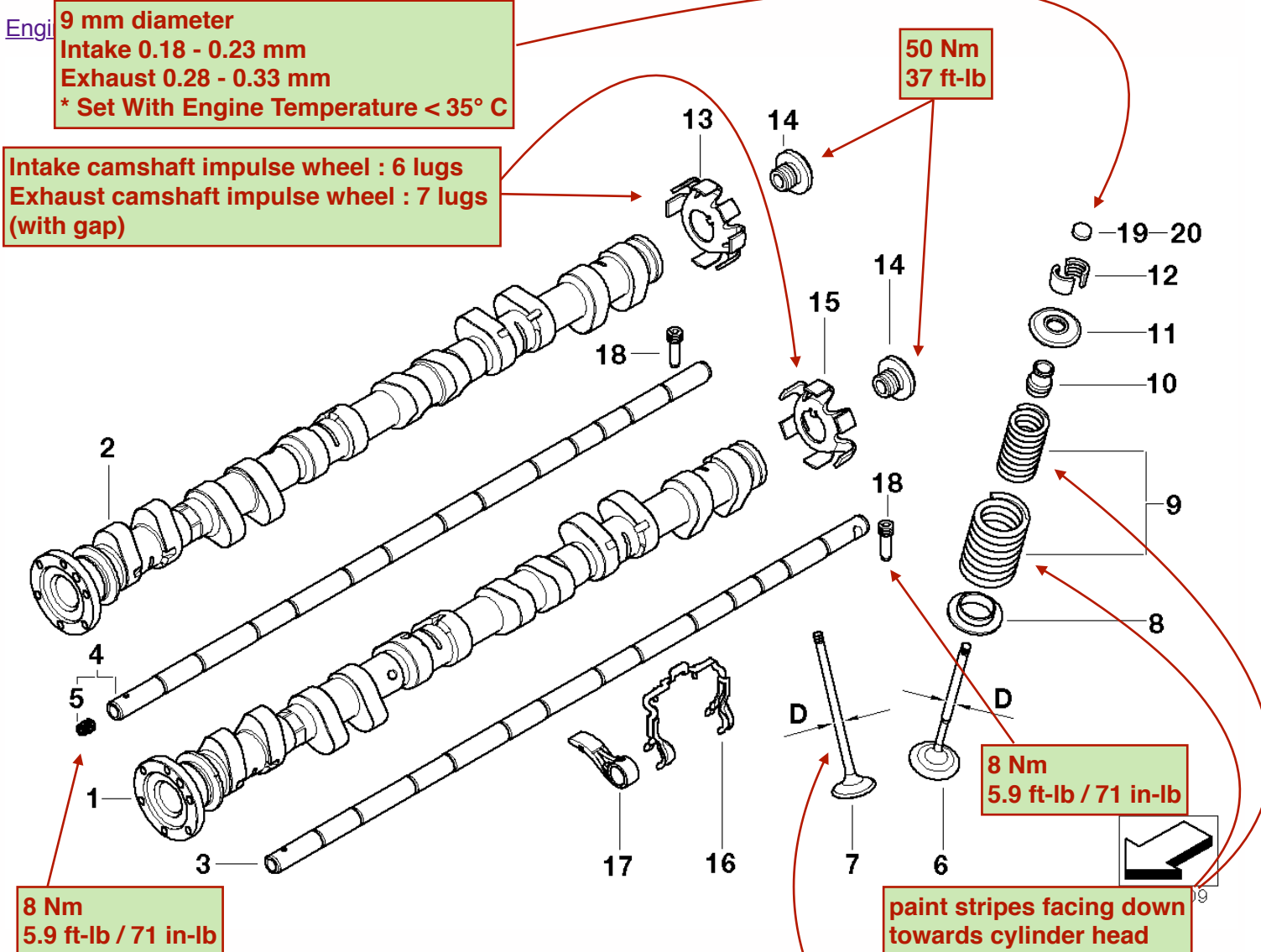
[Engine](#) > [Valve train](#)



| No. | Description | Supp. | Qty | From | Up To | Part Number | Price | Notes |
|-----|----------------------------|-----------------|-----|------|-------|-----------------------------|----------|-------|
| 01 | SLIDE RAIL-TWIN CHAIN | | 1 | | | 11317830569 | \$53.24 | +core |
| 02 | CHAIN TENSIONER-TWIN CHAIN | | 1 | | | 11317836441 | \$32.22 | |
| 03 | Chain tensioner | | 1 | | | 11317830159 | \$15.63 | |
| 04 | SLIDE RAIL-TWIN CHAIN | | 1 | | | 11317836344 | \$16.11 | |
| 05 | Chain tensioner | | 1 | | | 11317838675 | \$157.53 | |
| 06 | Gasket ring | A26X31-AL | 1 | | | 07119963418 | \$0.25 | |
| 07 | Bolt | | 1 | | | 11317830377 | \$21.22 | |
| 08 | Gasket ring | A20X24-CU | 1 | | | 07119963342 | \$0.24 | |
| 09 | ISA screw | M6X30-8.8-ZNNIV | 2 | | | 07129905386 | \$0.86 | |
| 10 | Collar screw | M8X31 | 1 | | | 11111736005 | \$0.77 | |
| 11 | Gasket ring | A8X13-AL | 1 | | | 07119903546 | \$0.16 | |
| 12 | Bolt | | 1 | | | 11317830763 | \$10.62 | |
| 13 | Bolt | | 1 | | | 11317830727 | \$21.22 | |
| 14 | O-ring | 6,7X1,78MM | 1 | | | 11317830765 | \$2.63 | |
| 15 | O-ring | 10X2 | 1 | | | 07119906328 | \$0.13 | |
| 16 | Circlip | 7,0 | 2 | | | 07119905858 | \$0.96 | |

Notes

3' E46 M3 Valve Timing Gear - Cam Shaft



Engi **9 mm diameter**
Intake 0.18 - 0.23 mm
Exhaust 0.28 - 0.33 mm
*** Set With Engine Temperature < 35° C**

Intake camshaft impulse wheel : 6 lugs
Exhaust camshaft impulse wheel : 7 lugs (with gap)

50 Nm
37 ft-lb

8 Nm
5.9 ft-lb / 71 in-lb

8 Nm
5.9 ft-lb / 71 in-lb

paint stripes facing down towards cylinder head

Valves :
Intake 35 mm
Exhaust 30.5 mm
Stem-Intake / Exhaust 6.0 mm
Lift (intake & exhaust) : 12mm

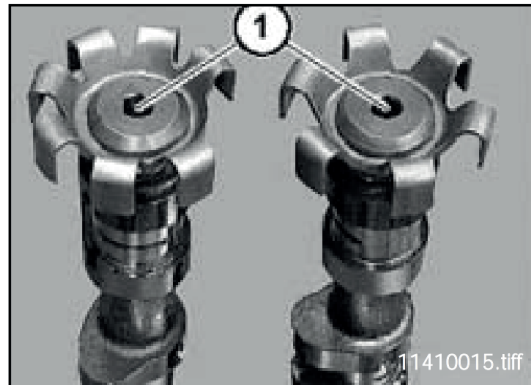
| No. | Description | Supp. | Qty | From | Up To | Part Number | Price | Notes |
|-----|--------------------------------|-------------|-----|---------|---------|-----------------------------|----------|-------|
| 01 | INLET CAMSHAFT | | 1 | | 04/2003 | 11317832194 | \$952.40 | |
| 01 | INLET CAMSHAFT | | 1 | 04/2003 | | | | |
| 02 | CAMSHAFT EXHAUST | | 1 | | 04/2003 | | | |
| 02 | CAMSHAFT EXHAUST | | 1 | 04/2003 | | | | |
| 03 | Rocker arm shaft, inlet | | 1 | | | | | |
| 04 | Rocker arm shaft, outlet | | 1 | | | | | |
| 05 | Screw plug | M10X1 | 1 | | | 11337838046 | \$6.85 | |
| 06 | INTAKE VALVE | 35,0/5,97MM | 12 | | | 11347830889 | \$29.79 | |
| 07 | EXHAUST VALVE | 30,5/5,95MM | 12 | | | 11347830888 | \$165.21 | |
| 08 | Spring pocket | | 24 | | | 11317832767 | \$15.81 | |
| 09 | SET VALVE SPRING YELLOW/YELLOW | | 24 | | | 11317830890 | \$11.13 | |
| 10 | REPAIR KIT VALVE SEAL RING | | 2 | | | 11349064457 | \$46.94 | |
| 11 | Upper spring plate | | 24 | | | 11317830893 | \$3.68 | |
| 12 | VALVE COLLET | D=6 | 48 | | 09/2002 | 11341461405 | \$1.34 | |
| 12 | VALVE COLLET | | 48 | 09/2002 | | 11347833195 | \$1.08 | |
| 13 | IMPULSE SENDING WHEEL | | 1 | | | 11317832200 | \$11.07 | |
| 14 | Hollow bolt | M16X1,5 | 2 | | | 11311407013 | \$7.57 | |
| 15 | IMPULSE SENDING WHEEL | | 1 | | | 11317832199 | \$11.07 | |

S54 OE camshaft specs

| | Standard | CSL |
|------------------------------------|-----------|------------|
| Duration (Intake / Exhaust) | 264 / 264 | 288 / 280 |
| Lift | 12 mm | 11.6 mm |
| Vanos adjustment | | |
| Intake | 70 - 130° | 72° - 132° |
| Exhaust | 83 - 128° | 85° - 130° |

| | | |
|--|----|-----------------|
| Guide bearing (bearing point 1) width | mm | 20.5 H8 |
| Running clearance radial (bearing point 1) | mm | 0.034 ... 0.066 |
| Running clearance radial (bearing point 2 ... 7) | mm | 0.027 ... 0.053 |
| Axial running clearance | mm | 0.100 ... 0.183 |

The intake camshaft impulse wheel has 6 lugs and the exhaust camshaft impulse wheel has 7 lugs (with gap).



S54 OE valves information

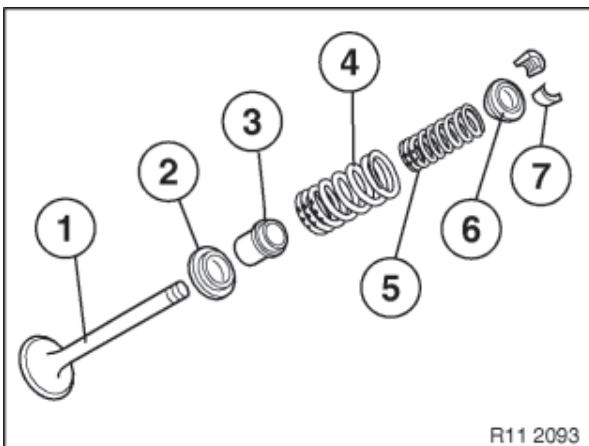
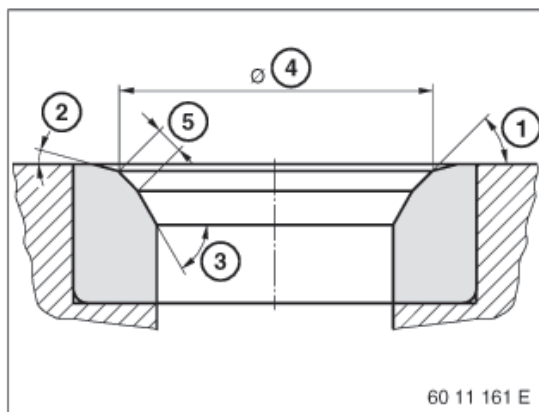
| | | |
|--|----|-----------------------|
| Height of cylinder head (cylinder head must not be machined) | mm | 146.0 ± 0.05 |
| Valve guides are not available as replacement parts. | | |
| Inside diameter of installed valve guide | | |
| Standard | mm | 6.0 H7 |
| Max. tilt clearance (wear between valve and valve guide) | mm | 0,5 |
| Bearing of camshaft | | |
| Pilot bearing (1) width | mm | 20.4 ^{-0.05} |
| Axial play | mm | 0.1 ... 0.183 |

11 34 Valves with Springs S54

| | | |
|---|----|---|
| Plate dia. | | |
| Inlet | mm | 35 |
| Exhaust | mm | 30,5 |
| Stem Ø | | |
| Inlet | mm | 6.0 ^{-0.025} _{-0.039} |
| Exhaust | mm | 6.0 ^{-0.040} _{-0.055} |
| Clearance of | | |
| Inlet valve clearance at max. 35°C coolant temperature | mm | 0.18 ... 0.23 |
| Exhaust valve at max. 35°C coolant temperature | mm | 0.28 ... 0.33 |

- 1 - Valve-seat angle
- 2 - Correction angle, outside
- 3 - Correction angle, inside
- 4 - Outside diameter of seat face
- 5 - Valve-seat width

| | | |
|--|----|----------------------|
| Valve seat angle | ° | 45 |
| Correction angle: outer | ° | 15 |
| Correction angle: inner | ° | 60 |
| Valve seat width: Inlet | mm | 1.0 ^{+0.1} |
| Valve seat width: Exhaust | mm | 1.2 ^{+0.1} |
| Ø Valve seat | | |
| Valve seat surface: Outside dia. inlet | mm | 34.5 ^{+0.1} |
| Valve seat surface: Outside dia. exhaust | mm | 30.0 ^{+0.1} |



Arrangement:

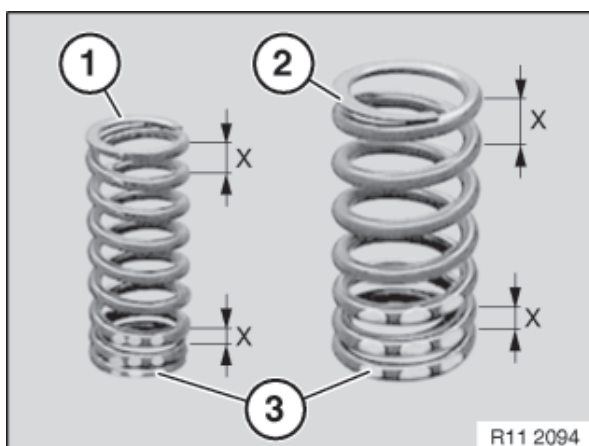
- 1) Valve
- 2) Lower plate spring
- 3) Valve-stem seal
- 4) Outer spring
- 5) Inner spring
- 6) Top spring plate
- 7) Valve tapers



11410028.tiff

Caution!

Incorrect installation possible.
Incorrect installation will result in valve spring breakage.



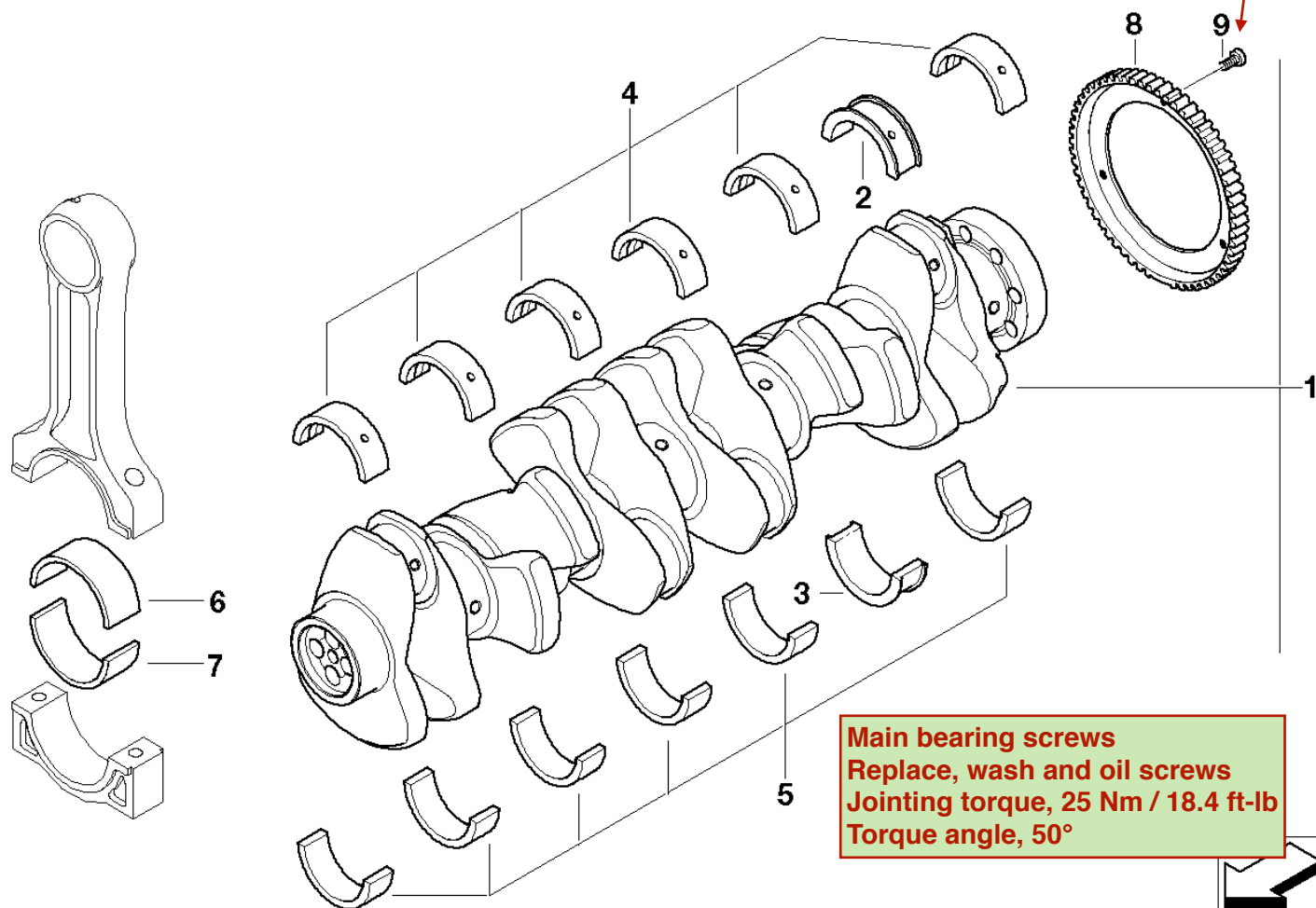
The valve spring coils are narrower at the lower ends.
The color coding (3) is normally located at the lower end of the valve springs.

Only the position of the narrower coil is the decisive factor in correct installation of the valve springs (1 and 2).
Install valve springs (1 and 2) in such a way that lower coil points to spring plate at bottom.

3' E46 M3 Crankshaft with bearing shells

[Engine](#) > [Crankshaft drive](#)

**5 Nm / 3.7 ft-lb / 44 in-lb
+ 45°
Replace screws**



**Main bearing screws
Replace, wash and oil screws
Jointing torque, 25 Nm / 18.4 ft-lb
Torque angle, 50°**



00126620

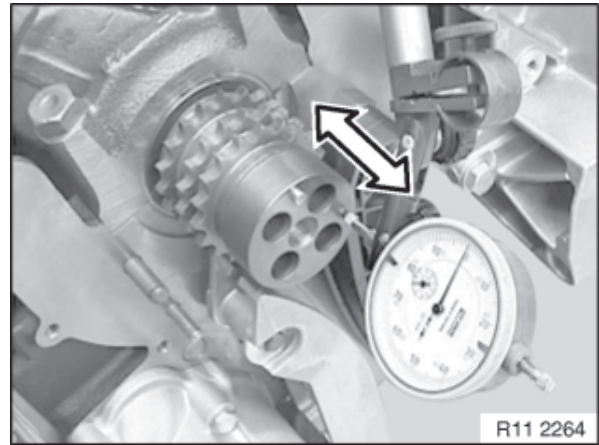
| No. | Description | Supp. | Qty | From | Up To | Part Number | Price | Notes |
|-----|-----------------------------------|----------------|-----|------|-------|-----------------------------|-----------|-------|
| 01 | Crankshaft with bearing shells | | 1 | | | 11210304426 | \$2952.16 | ENDED |
| 01 | AT-CRANKSHAFT WITH BEARING SHELLS | | 1 | | | 11210304427 | \$2384.97 | |
| 02 | GUIDE-BEARING SHELL YELLOW | 60,00MM(0) | 1 | | | 11211706829 | \$27.36 | |
| 02 | GUIDE-BEARING SHELL GREEN | 60,00MM(0) | 1 | | | 11211706830 | \$27.36 | |
| 02 | GUIDE-BEARING SHELL WHITE | 60,00MM(0) | 1 | | | 11211706831 | \$27.36 | |
| 02 | GUIDE-BEARING SHELL YELLOW | 59,75MM(+0,25) | 1 | | | 11211706832 | \$37.98 | |
| 02 | GUIDE-BEARING SHELL GREEN | 59,75MM(+0,25) | 1 | | | 11211706833 | \$37.98 | |
| 02 | GUIDE-BEARING SHELL WHITE | 59,75MM(+0,25) | 1 | | | 11211706834 | \$37.98 | |
| 03 | GUIDE-BEARING SHELL YELLOW | 60,00MM(0) | 1 | | | 11212241934 | \$27.36 | |
| 03 | GUIDE-BEARING SHELL GREEN | 60,00MM(0) | 1 | | | 11212241935 | \$27.36 | |
| 03 | GUIDE-BEARING SHELL WHITE | 60,00MM(0) | 1 | | | 11212241936 | \$27.36 | |
| 03 | GUIDE-BEARING SHELL YELLOW | 59,75MM(+0,25) | 1 | | | 11212241937 | \$37.98 | |
| 03 | GUIDE-BEARING SHELL GREEN | 59,75MM(+0,25) | 1 | | | 11212241938 | \$37.98 | |
| 03 | GUIDE-BEARING SHELL WHITE | 59,75MM(+0,25) | 1 | | | 11212241939 | \$37.98 | |
| 04 | Bearing shell yellow | 60,00MM(0) | 6 | | | 11211706847 | \$16.27 | |
| 04 | Bearing shell green | 60,00MM(0) | 6 | | | 11211706848 | \$16.27 | |
| 04 | Bearing shell white | 60,00MM(0) | 6 | | | 11211706849 | \$16.27 | |

S54 OE crankshaft specs

Stroke : 91 mm

Main bearing diameter : 60 mm

End play : 0.141 - 0.253 mm →



| | | |
|---|----|-----------------|
| Grinding stages, crankshaft guide bearing | | |
| Standard | mm | 25.0 F8 |
| Size 1 | mm | 25.2 F8 |
| Size 2 | mm | 25.4 F8 |
| Crankshaft axial play | mm | 0.141 ... 0.253 |

| | | |
|---|----|------|
| Max. permissible runout on center main bearing journal (crankshaft at outer bearing journal recorded) | mm | 0,20 |
|---|----|------|

| Ground sizes of main bearing journals | | Bearing point 1 | Bearing points 2 to 7 |
|---------------------------------------|----|--------------------------|--------------------------|
| Standard yellow | mm | 59.964 ^{+0.006} | 59.984 ^{+0.006} |
| Standard green | mm | 59.957 ^{+0.006} | 59.977 ^{+0.006} |
| Standard white | mm | 59.951 ^{+0.005} | 59.971 ^{+0.005} |
| Undersize 1 (U 0.25) yellow | mm | 59.714 ^{+0.006} | 59.734 ^{+0.006} |
| Undersize 1 (U 0.25) green | mm | 59.707 ^{+0.006} | 59.727 ^{+0.006} |
| Undersize 1 (U 0.25) white | mm | 59.701 ^{+0.005} | 59.721 ^{+0.005} |
| Undersize 2 (U 0.50) yellow | mm | 59.464 ^{+0.006} | 59.484 ^{+0.006} |
| Undersize 2 (U 0.50) green | mm | 59.457 ^{+0.006} | 59.477 ^{+0.006} |
| Undersize 2 (U 0.50) white | mm | 59.451 ^{+0.005} | 59.471 ^{+0.005} |
| Crankshaft bearing clearance, radial | mm | 0.019 ... 0.052 | 0.019 ... 0.052 |

11 21 Crankshaft and Bearings S54

| | | |
|----------------------------|----|---|
| Standard | mm | 49.00 ^{-0.009} _{-0.025} |
| Size 1 | mm | 48.75 ^{-0.009} _{-0.025} |
| Radial conrod bearing play | mm | 0.030...0.070 |



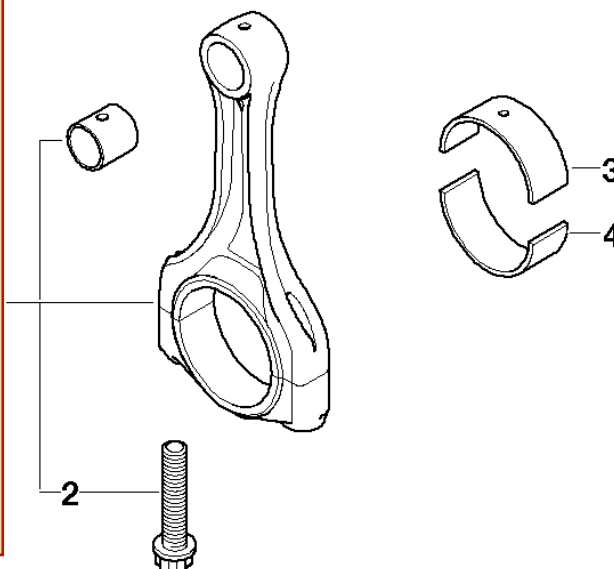
3' E46 M3 Crankshaft Connecting Rod

[Engine](#) > [Crankshaft drive](#)

- Pre 12/13/2002 (M11 bolts)
Do not replace bolt !
Application torque : 5 Nm
Joining torque : 30 Nm
Angle of rotation : 70° in a single stroke

- Post 12/13/2002 (M10 bolts)
Replace bolts !
Bolts have to be tightened 3 times
5 Nm + 30 Nm + 105° in a single stroke
Release bolt one full turn
5 Nm + 30 Nm + 105° in a single stroke
Release bolt one full turn
5 Nm + 30 Nm + 105° in a single stroke

5 Nm = 3.7 ft-lb / 44 in-lb
30 Nm = 22 ft-lb / 266 in-lb



00126619

| No. | Description | Supp. | Qty | From | Up To | Part Number | Price | Notes |
|----------|---|----------------|-----|---------|-------|-----------------------------|-----------|-------|
| <i>i</i> | Pos. 2- Connecting rod bolt M11 x 1,25 up to 02.03 See repair manual | | | | | | | |
| 01 | SET CONNECTING ROD See repair manual | | 1 | | | 11247834437 | \$3034.65 | |
| 02 | Connecting rod bolt only applies to | M10X1,25 | 12 | 02/2003 | | 11247834310 | \$6.32 | |
| -- | SET CONNECTING ROD | | X | 02/2003 | | 11247834437 | \$3034.65 | |
| 03 | Bearing shell, blue | 49,00MM(0) | 6 | | | 11247835440 | \$16.49 | |
| 03 | Bearing shell, blue | 48,75MM(+0,25) | 6 | | | 11247835452 | \$16.71 | |
| 04 | Bearing shell, red | 49,00MM(0) | 6 | | | 11247835439 | \$16.49 | |
| 04 | Bearing shell, red | 48,75MM(+0,25) | 6 | | | 11247835451 | \$16.71 | |

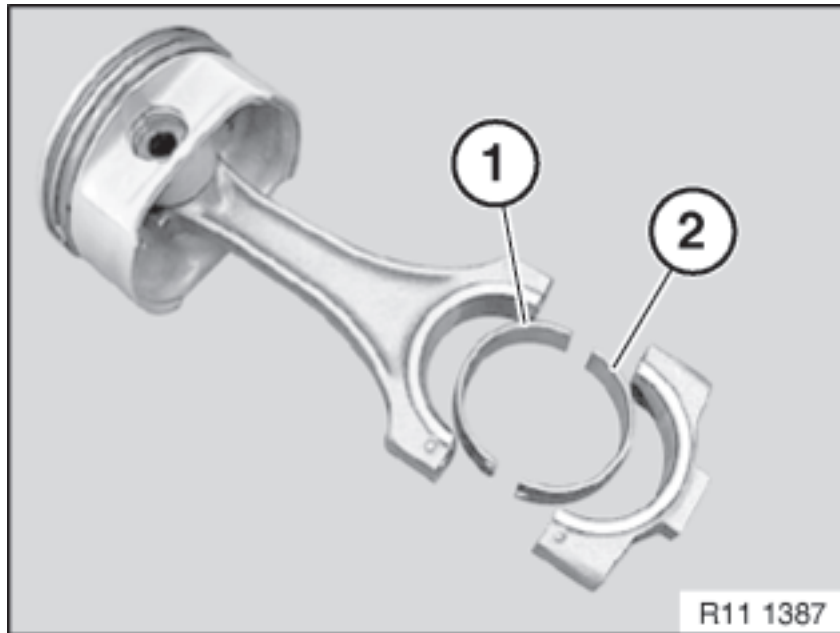
S54 OE conrod specs

Connecting rod bearing diameter : 49 mm

Connecting rod small end diam : 21 mm

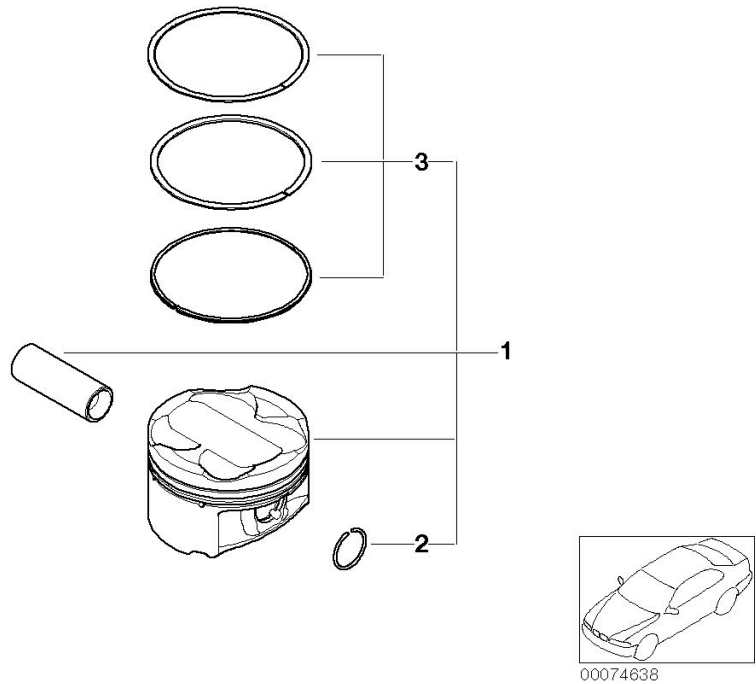
Connecting rod length : 139 mm

| | | |
|---|----|--|
| Ø Large connecting rod eye (without bearing) | mm | 53.000 ^{+0.013} |
| Conrod bush bore diameterØ | mm | 21 ^{+0.017} _{+0.013} |
| Permissible total deviation of connecting rods in one engine (without bearing shells) | g | ± 4 |



3' E46 M3 Crankshaft-Pistons

[Engine](#) > [Crankshaft drive](#)



| No. | Description | Supp. | Qty | From | Up To | Part Number | Price | Notes |
|-----|-------------------------|---------|-----|------|-------|-----------------------------|-----------|-------|
| 01 | PISTON KIT | (0) | 1 | | | 11257834017 | \$2267.59 | |
| 01 | PISTON KIT | (00) | 1 | | | 11257834018 | \$2267.59 | |
| 01 | PISTON KIT | (+0,20) | 1 | | | 11257834019 | \$2267.59 | |
| 02 | SNAP RING | | 12 | | | 11257831889 | \$2.30 | |
| 03 | REPAIR KIT PISTON RINGS | (0) | 6 | | | 11257834014 | \$105.44 | |
| 03 | REPAIR KIT PISTON RINGS | (00) | 6 | | | 11257834015 | \$153.71 | |
| 03 | REPAIR KIT PISTON RINGS | (+0,20) | 6 | | | 11257834016 | \$153.71 | |

Copyright © RealOEM.com

S54 OE pistons specs

Piston diameter : 86.965 mm

Piston weight : ~ 470 g

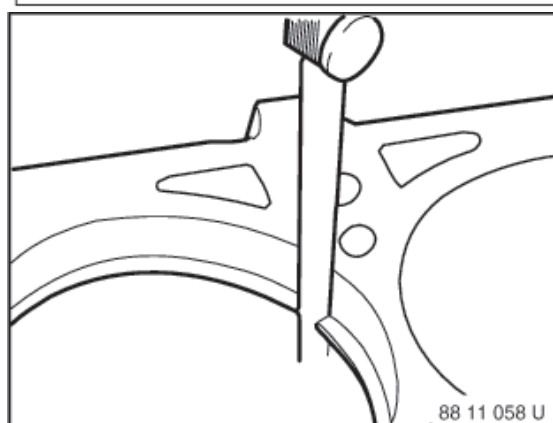
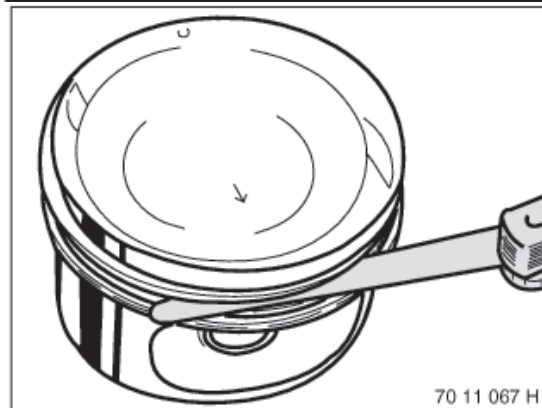
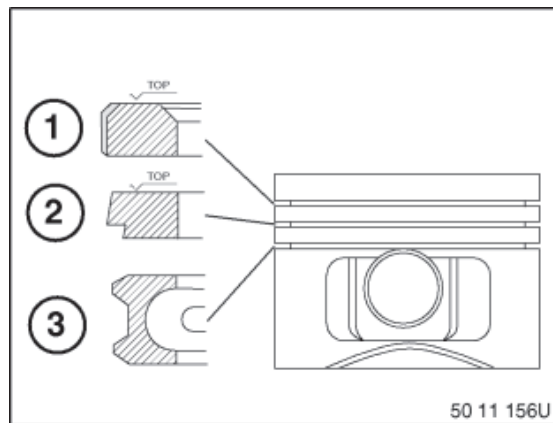
Compression ration : 11.5:1

Compression measurement : ~ 11 - 12 bar minimum. Approx the same for all cylinders.

Wrist pins : 21 mm diam.

| | | |
|---|----|-----------------|
| Piston and piston pin are paired - replace together only. | | |
| Measuring point "A" (position) | mm | 9,5 |
| Piston diameter at measuring point "A" | | |
| Standard | mm | 86.965 ± 0.009 |
| 1st oversize | mm | 87.165 ± 0.009 |
| Piston running clearance | mm | 0.026 ... 0.058 |
| Permissible total wear tolerance between piston and cylinder (engine operated) | mm | 0,15 |

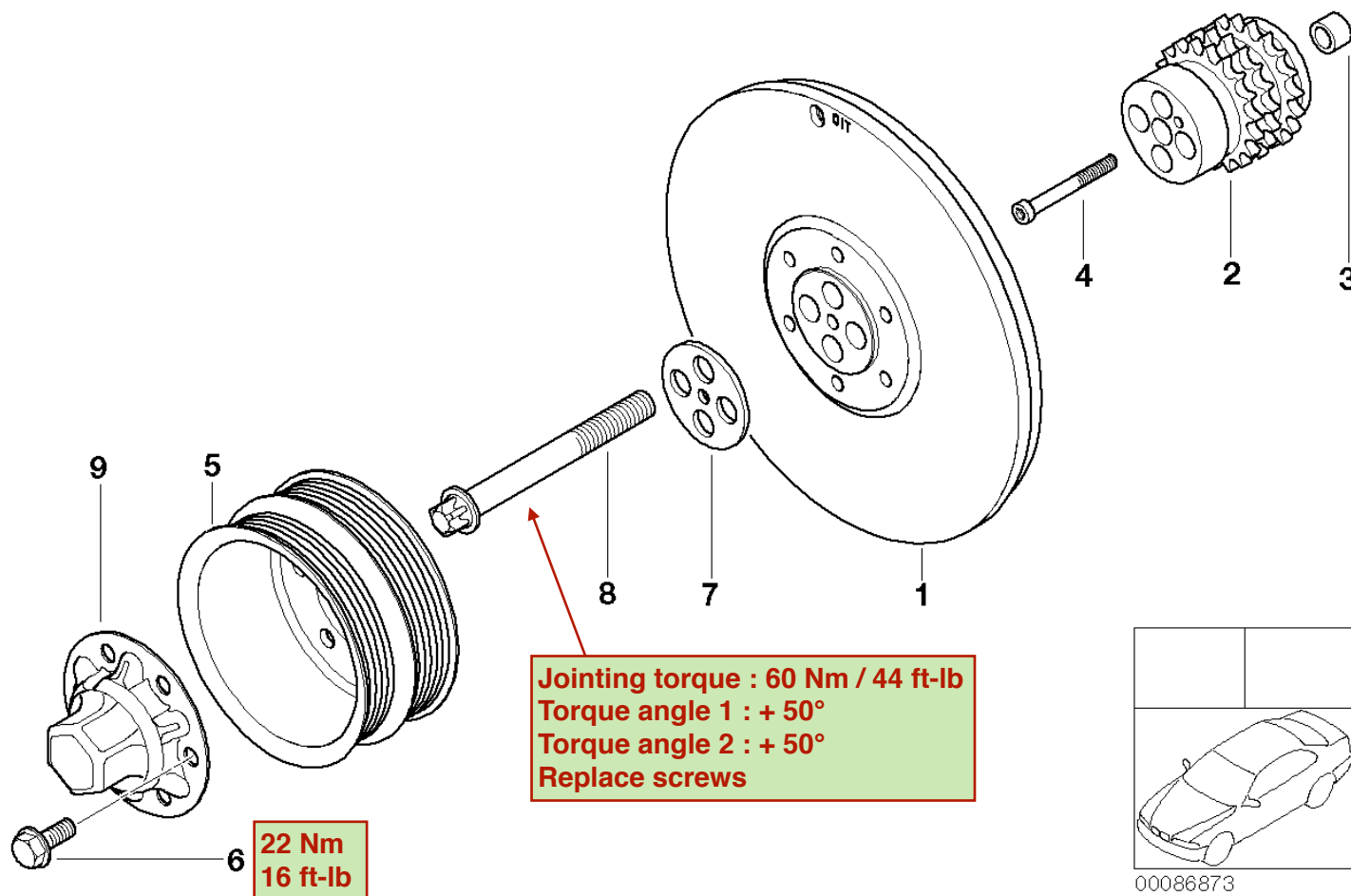
| | | |
|---------------|----|---|
| 1st groove | | |
| Height | mm | 1.2 ^{-0.010} _{-0.030} |
| End clearance | mm | 0.20 ... 0.35 |
| Axial play | mm | 0.030 ... 0.070 |
| 2nd groove | | |
| Height | mm | 1.5 ^{-0.005} _{-0.030} |
| End clearance | mm | 0.35 ... 0.60 |
| Axial play | mm | 0.015 ... 0.060 |
| 3rd groove | | |
| Height | mm | 2.0 ^{-0.010} _{-0.025} |
| End clearance | mm | 0.25 ... 0.50 |
| Axial play | mm | 0.020 ... 0.060 |



Two compression rings gap at 90 degrees to the piston pin, but 180 degrees apart from each other. Oil ring gap somewhere between.

3' E46 M3 Belt Drive-Vibration Damper

[Engine](#) > [Belt Drive](#)



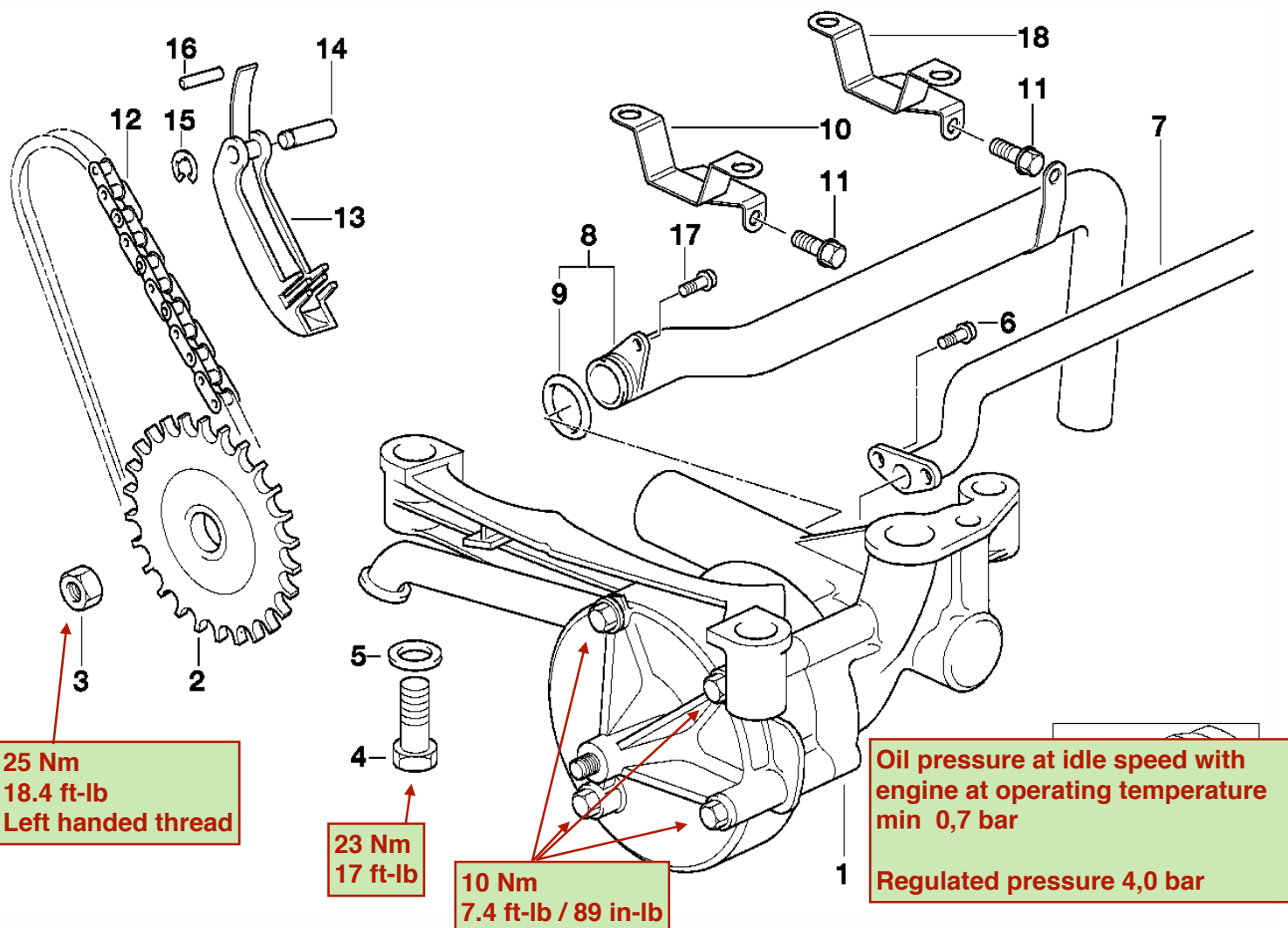
| No. | Description | Supp. | Qty | From | Up To | Part Number | Price | Notes |
|-----|----------------------|--------------|-----|---------|---------|-----------------------------|----------|-------|
| 01 | Vibration damper | | 1 | | | 11237834425 | \$660.37 | |
| 02 | SPROCKET | | 1 | | | 11211401036 | \$184.22 | |
| 03 | Dowel | D=14,5MM | 1 | | | 11111743118 | \$1.65 | |
| 04 | ISA screw | M6X50 | 1 | | | 07129905539 | \$0.78 | |
| 05 | Pulley | | 1 | | | 11217840380 | \$60.61 | |
| 06 | Hex bolt with washer | M8X16-Z1 | 6 | | 01/2001 | 07119913102 | \$0.36 | ENDED |
| 06 | Hex bolt with washer | M8X18-U1-8.8 | 6 | 01/2001 | | 07119905529 | \$0.96 | |
| 07 | Washer | | 1 | | | 11231402609 | \$4.82 | |
| 08 | Torx bolt | M12X1,5X110 | 4 | | | 11231402608 | \$8.28 | |
| 09 | Cover | | 1 | 01/2001 | | 11237832456 | \$9.87 | |

Notes

- ENDED = the part has been discontinued (no longer available).

3' E46 M3 Lubrication system/Oil pump with drive

[Engine](#) > [Lubrication system](#)



25 Nm
18.4 ft-lb
Left handed thread

23 Nm
17 ft-lb

10 Nm
7.4 ft-lb / 89 in-lb

Oil pressure at idle speed with engine at operating temperature min 0,7 bar
Regulated pressure 4,0 bar

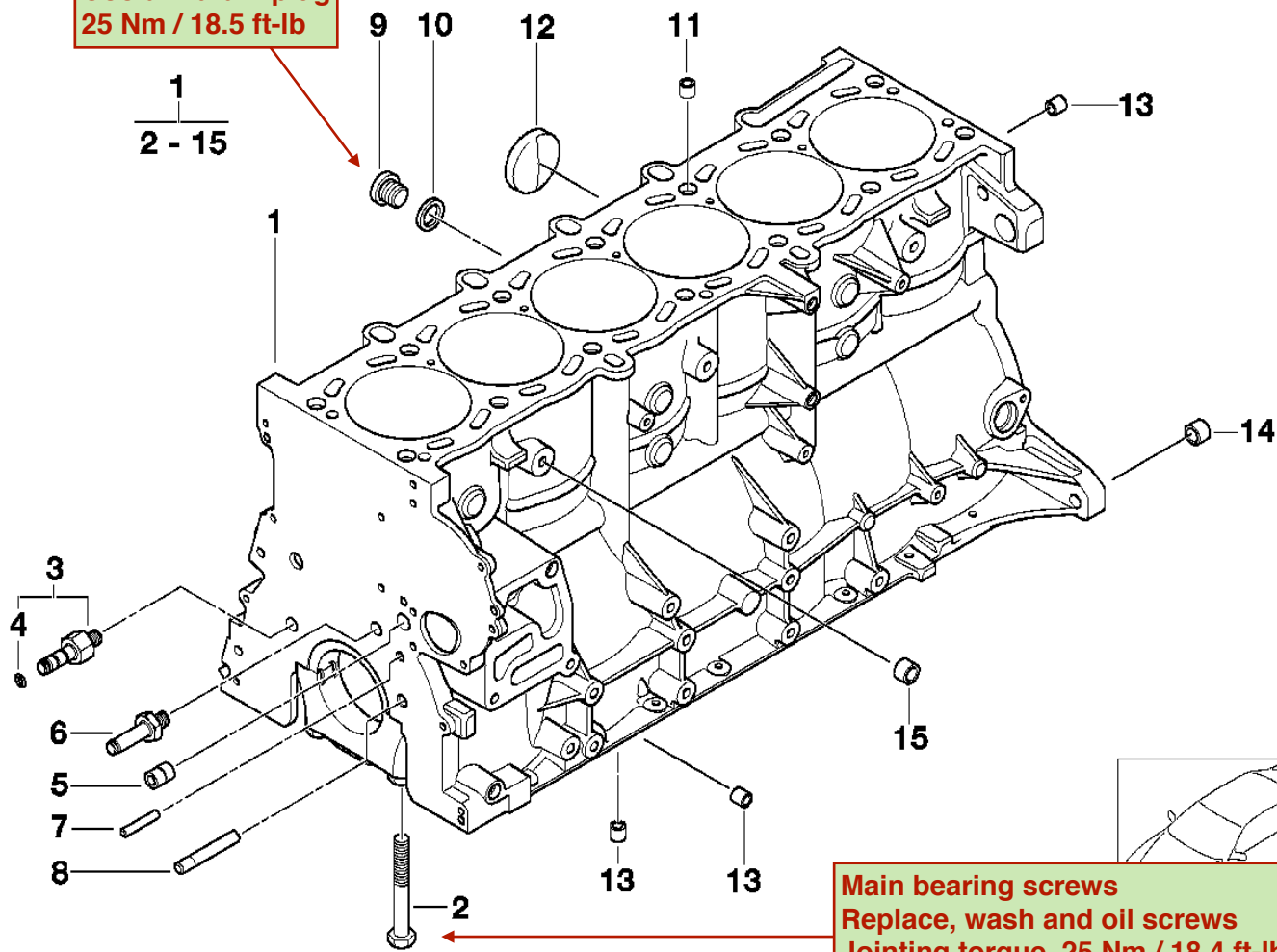
| No. | Description | Supp. | Qty | From | Up To | Part Number | Price | Notes |
|-----|----------------------------|--------------|-----|---------|---------|-----------------------------|----------|-------|
| 01 | Oil pump | | 1 | | | 11417838123 | \$678.00 | |
| 02 | SPROCKET | | 1 | | | 11411317284 | \$30.94 | |
| 03 | Hex nut | M10X1-LH | 1 | | | 07119905857 | \$0.36 | |
| 04 | Fillister-head screw | M8X45 | 3 | | | 07129905540 | \$2.18 | |
| 06 | Fillister head with washer | M5X16 | 2 | | | 07129903041 | \$1.36 | |
| 07 | Return pipe | | 1 | | 04/2003 | 11411405215 | \$30.94 | |
| 07 | Return pipe | | 1 | 04/2003 | | 11417834889 | \$30.94 | |
| 08 | Suction pipe | | 1 | | 04/2003 | 11411406405 | \$40.87 | |
| 08 | Suction pipe | | 1 | 04/2003 | | 11417834887 | \$40.87 | |
| 09 | O-ring | | 1 | | | 11411401769 | \$3.79 | |
| 10 | BRACKET OIL PIPE | | 1 | | | 11411405847 | \$5.37 | |
| 11 | Hex bolt with washer | M6X16-U1-8.8 | 2 | | | 07119904524 | \$0.25 | |
| 12 | CHAIN | | 1 | | | 11411401399 | \$40.10 | |
| 13 | Chain tensioner | | 1 | | | 11411317650 | \$10.22 | |
| 14 | Bolt | | 1 | | | 11111706500 | \$4.12 | |
| 15 | Circlip | 6,0-ZNS3 | 1 | | | 07119905695 | \$1.07 | |
| 16 | Dowel pin | 6X32 | 1 | | | 07119942169 | \$0.21 | |
| 17 | Fillister head with washer | M5X16 | 1 | | | 07129903041 | \$1.36 | |

3' E46 M3 Engine block

[Engine](#) > [Engine housing](#)

Bore : 87 mm
Bore spacing : 91mm on center

Coolant drain plug
25 Nm / 18.5 ft-lb

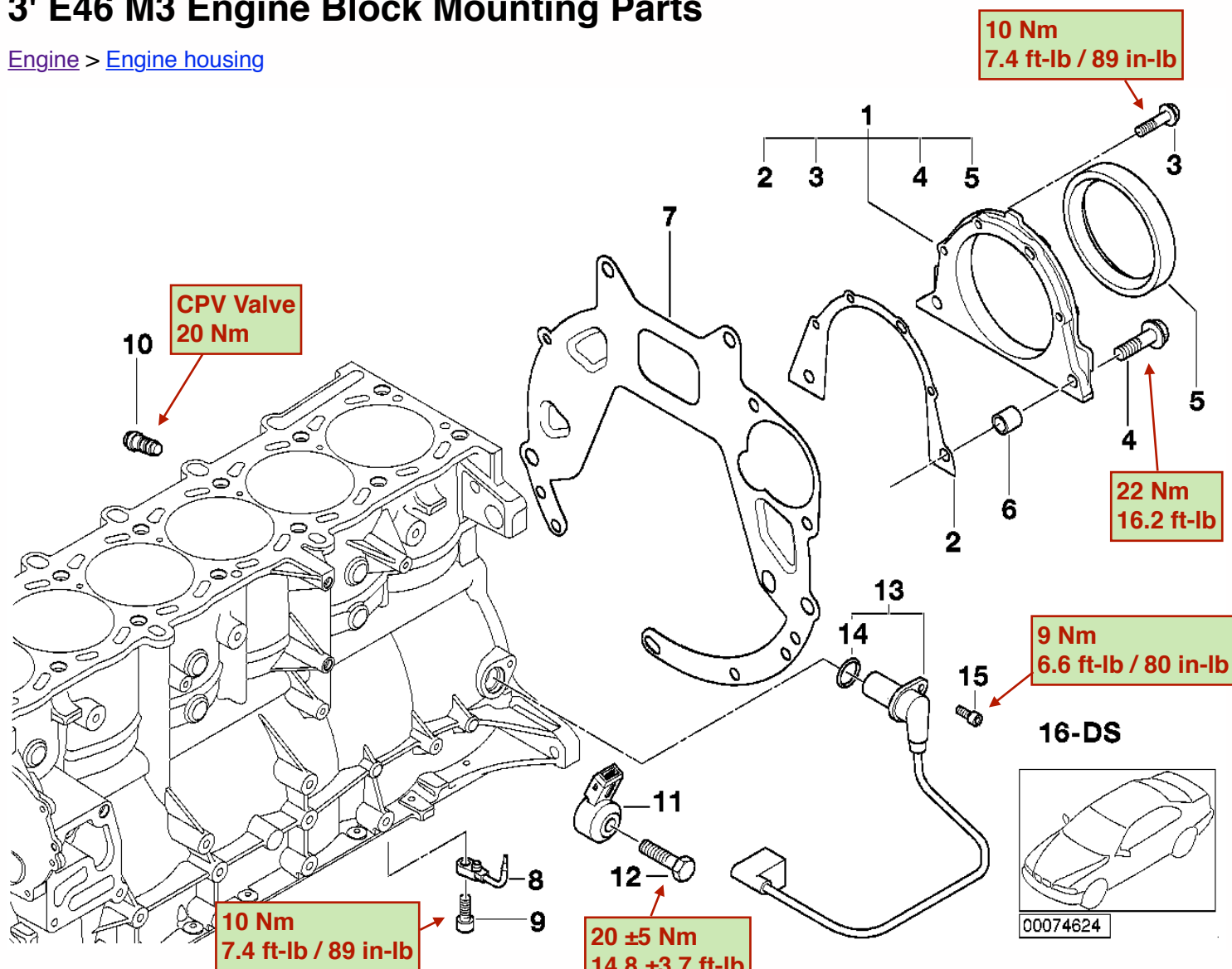


Main bearing screws
Replace, wash and oil screws
Jointing torque, 25 Nm / 18.4 ft-lb
Torque angle, 50°

| No. | Description | Supp. | Qty | From | Up To | Part Number | Price | Notes |
|-----|--------------------------|---------------|-----|---------|---------|-----------------------------|-----------|-------|
| 01 | Engine block with piston | | 1 | | | 11117838751 | \$4790.94 | |
| 02 | Hex bolt | M10X80 | 14 | | | 11112244286 | \$1.03 | |
| 03 | Bolt | | 1 | | | 11317830727 | \$21.22 | |
| 04 | O-ring | 6,7X1,78MM | 1 | | | 11317830765 | \$2.63 | |
| 05 | Plug | D=12,0MM | 4 | | 04/2001 | 11111268539 | \$0.58 | |
| 05 | Plug | D=12,5MM | 4 | 04/2001 | | 11117832956 | \$13.88 | |
| 06 | Bolt | | 1 | | | 11317830763 | \$10.62 | |
| 07 | Dowel pin | 6X32 | 1 | | | 07119942169 | \$0.21 | |
| 08 | Bolt | | 1 | | | 11111706500 | \$4.12 | |
| 09 | Screw plug | M14X1,5-ZNNIV | 1 | | | 07119904539 | \$2.56 | |
| 10 | Gasket ring | A14X20-AL | 1 | | | 07119963225 | \$0.11 | |
| 11 | Dowel | D=13,5MM | 2 | | | 11121726243 | \$1.62 | |
| 12 | Cover lid | D=45MM | 1 | | | 11111714712 | \$3.32 | |
| 13 | Dowel | D=10,5MM | 6 | | | 11121726238 | \$1.62 | |
| 14 | Dowel | D=14,5MM | 2 | | | 11111743118 | \$1.65 | |
| 15 | Dowel | 8,5X5,5MM | 2 | | | 13541308127 | \$2.08 | |

3' E46 M3 Engine Block Mounting Parts

[Engine](#) > [Engine housing](#)



| No. | Description | Supp. | Qty | From | Up To | Part Number | Price | Notes |
|-----|--------------------------------------|-----------------|-----|------|---------|-----------------------------|----------|-------|
| 01 | Set of covers | | 1 | | | 11142247867 | \$94.60 | |
| 02 | Gasket Steel | | 1 | | | 11141432240 | \$3.10 | |
| 03 | Hex bolt with washer | M6X25-ZNNIV SI | 4 | | | 07119905400 | \$0.65 | |
| 04 | Hex bolt with washer | M8X28-ZNNIV SI | 2 | | | 07119905530 | \$0.71 | |
| 05 | Shaft seal | 90X110X12 | 1 | | | 11142249533 | \$58.96 | |
| 06 | Dowel | D=10,5MM | 2 | | | 11121726238 | \$1.62 | |
| 07 | Covering plate | | 1 | | 07/2007 | 11141734019 | \$11.15 | |
| 07 | Covering plate | | 1 | | | 11147838044 | \$11.15 | |
| 08 | Oil Spraying Nozzle | | 6 | | | 11427830770 | \$19.90 | |
| 09 | Fillister-head screw | M6X16-8.8-ZNNIV | 6 | | | 07129905536 | \$0.64 | |
| 10 | CONSTANT PRESSURE VALVE | 1 BAR | 1 | | | 11111318185 | \$41.25 | |
| 11 | Ping Sensor | | 3 | | | 12147839167 | \$25.18 | |
| 12 | Hex bolt | M8X30-8.8-ZNS3 | 3 | | | 07119902901 | \$0.25 | |
| 13 | Speed sensor | | 1 | | | 12147830789 | \$83.23 | |
| 14 | O-ring | 18X1,2 | 1 | | | 12141402705 | \$1.07 | |
| 16 | Gasket Set Engine Block Asbesto Free | | 1 | | | 11110302722 | \$267.70 | |

S54 Engine block specs

Bore : 87 mm

Bore spacing : 91mm on center

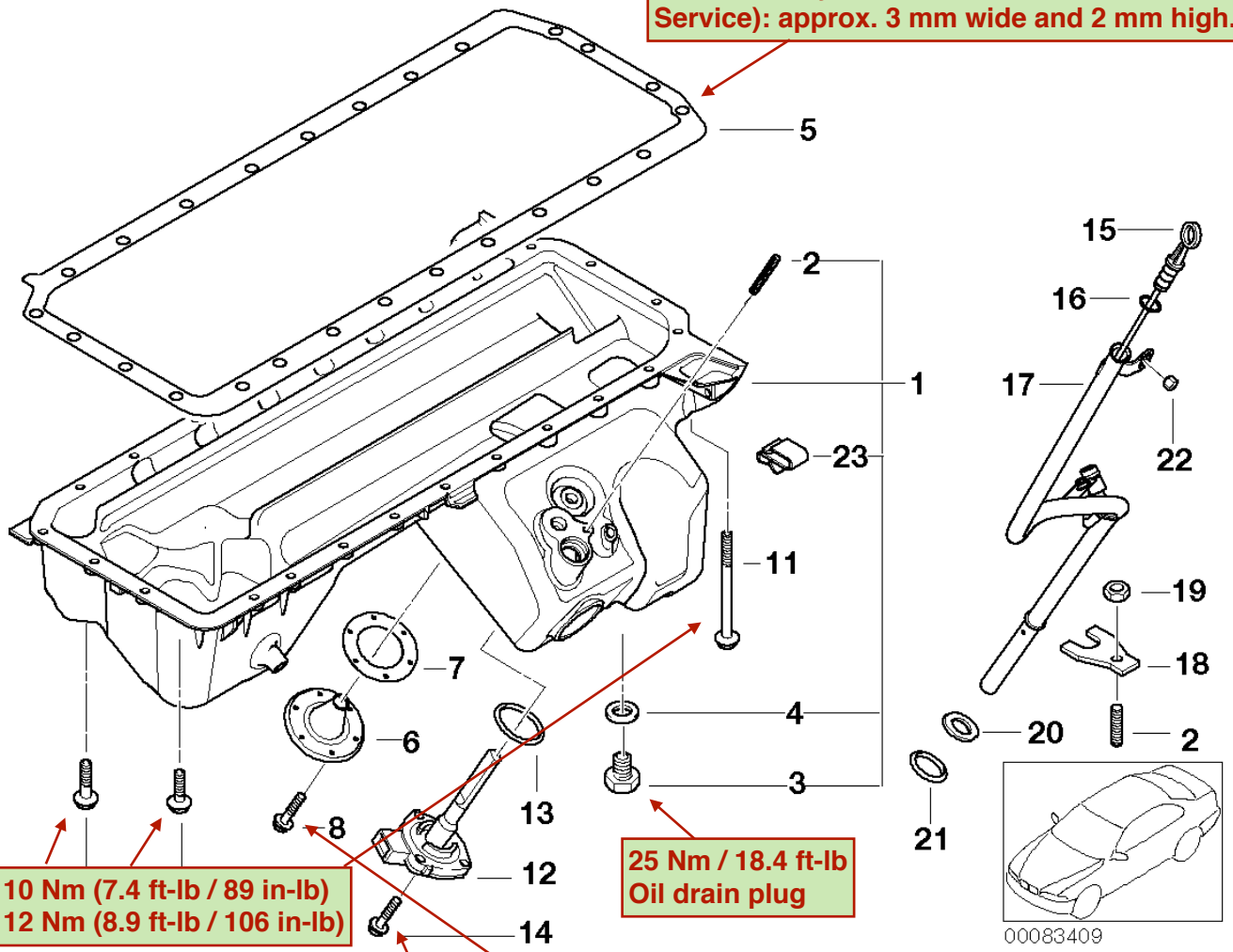
| | | |
|--|----|--------------------------|
| Bore \varnothing stage 0 ^{a)} | mm | 87.000 ^{+0.014} |
| Bore \varnothing stage 00 a) | mm | 87.050 ^{+0.014} |
| Bore \varnothing stage 1 a) | mm | 87.200 ^{+0.014} |
| Permitted out-of-round of cylinder bore a) | mm | 0,005 |
| Permitted conicity of cylinder bore a) | mm | 0,01 |
| Permissible total wear tolerance between piston and cylinder (engine operated) | mm | 0,15 |



3' E46 M3 OIL PAN/OIL LEVEL INDICATOR

[Engine](#) > [Engine housing](#)

Apply Drei Bond 1209 sealing compound to area around joint (refer to BMW Parts Service): approx. 3 mm wide and 2 mm high.



**8.8 grade 10 Nm (7.4 ft-lb / 89 in-lb)
10.9 grade 12 Nm (8.9 ft-lb / 106 in-lb)**

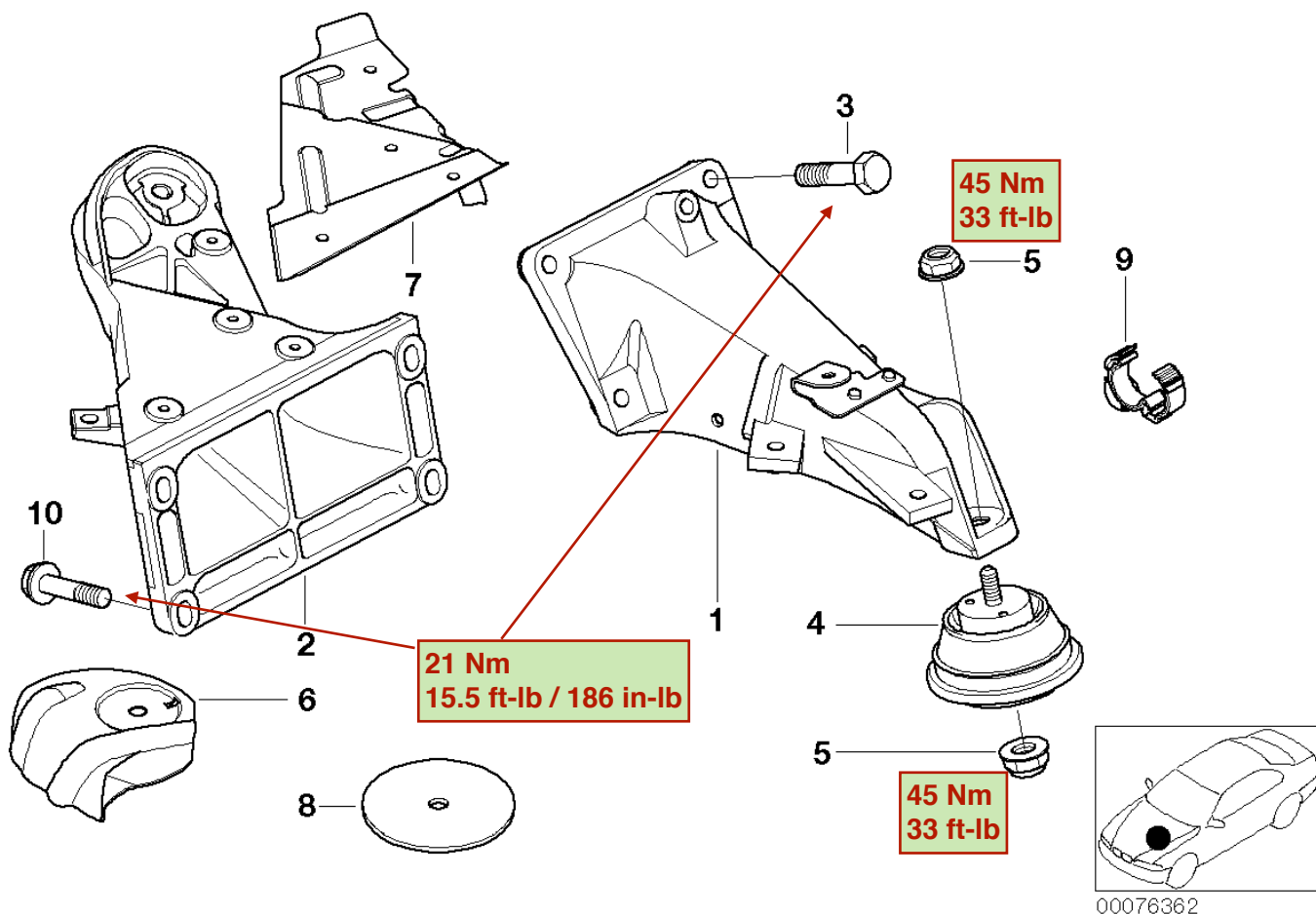
**25 Nm / 18.4 ft-lb
Oil drain plug**

**9 Nm
6.6 ft-lb / 80 in-lb**

| No. | Description | Supp. | | Up To | Part Number | Price | Notes |
|-----|--------------------------|----------------|----|---------|-----------------------------|----------|-------|
| 01 | Oil Pan | | 1 | 04/2003 | 11137838130 | \$799.11 | |
| -- | only in conjunction with | | | | | | |
| -- | Suction pipe | | 1 | 04/2003 | 11417834887 | \$40.87 | |
| -- | Return pipe | | 1 | 04/2003 | 11417834889 | \$30.94 | |
| -- | Cover | | 1 | 04/2003 | 11137834885 | \$23.59 | |
| -- | Gasket | | 1 | 04/2003 | 11137834886 | \$12.58 | |
| 01 | Oil Pan | | 1 | 04/2003 | 11137838130 | \$799.11 | |
| 02 | Stud bolt | M6X28-ZN | 1 | | 07129908111 | \$0.63 | |
| 03 | Screw plug | M12X1,5X12 | 1 | | 07119904550 | \$8.15 | |
| 04 | Gasket ring | A12X17-CU | 1 | | 07119963151 | \$0.57 | |
| 05 | Gasket Steel | | 1 | | 11131437237 | \$48.50 | |
| 06 | Cover | | 1 | 04/2003 | 11137832020 | \$23.95 | |
| 06 | Cover | | 1 | 04/2003 | 11137834885 | \$23.59 | |
| 07 | Gasket | | 1 | 04/2003 | 11137832023 | \$13.37 | |
| 07 | Gasket | | 1 | 04/2003 | 11137834886 | \$12.58 | |
| 08 | Hex bolt with washer | M6X16-U1-8.8 | 6 | | 07119904524 | \$0.25 | |
| 09 | Hex bolt with washer | M6X25-ZNNIV SI | 3 | | 07119905400 | \$0.65 | |
| 10 | Hex bolt with washer | M6X20 | 20 | | 07119904527 | \$0.44 | |

3' E46 M3 Engine Suspension

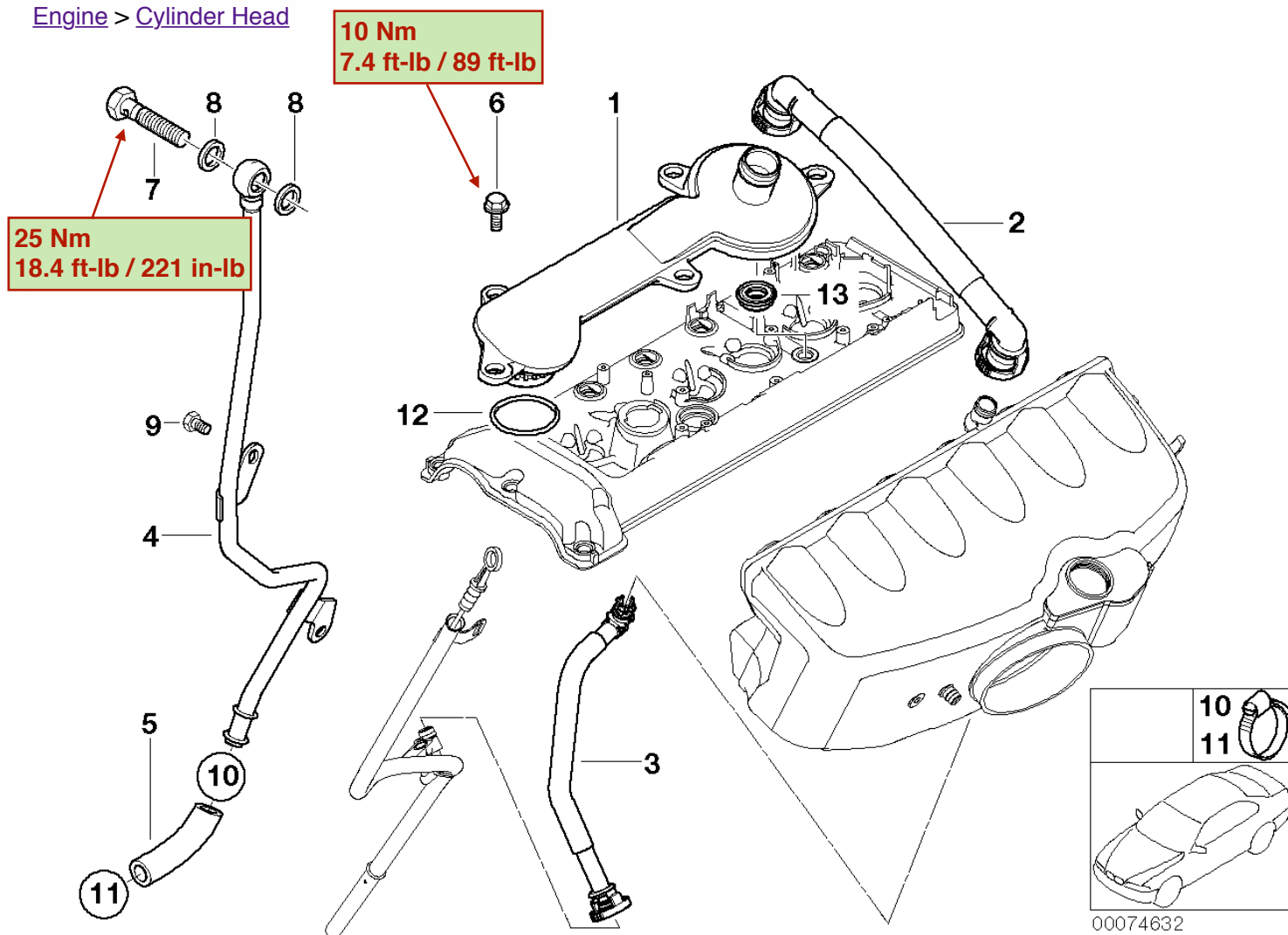
[Engine and Transmission Suspension](#) > [Engine Suspension](#)



| No. | Description | Supp. | Qty | From | Up To | Part Number | Price | Notes |
|-----|---|-------------|-----|------|-------|-----------------------------|---------|-------|
| 01 | Supporting bracket left | | 1 | | | 22112229898 | \$63.14 | |
| | For vehicles with Sequential M transmission Drivelogic | | | | | | | |
| | | S793A=Yes | | | | | | |
| 01 | Supporting bracket left | | 1 | | | 22112282153 | \$63.14 | |
| 02 | Supporting bracket right | | 1 | | | 22111094694 | \$35.30 | |
| 03 | Hex bolt with washer | M8X26-U1 | 6 | | | 07119905724 | \$1.07 | |
| 04 | Engine mount | | 2 | | | 11812283798 | \$77.94 | |
| | Required for repair | | | | | | | |
| -- | Flange nut | M10 | 4 | | | 22116779973 | \$0.68 | |
| 05 | Flange nut | M10 | 4 | | | 22116779973 | \$0.68 | |
| | Required for repair | | | | | | | |
| -- | Flange nut | M10-10-ZNS3 | 4 | | | 07119904670 | \$0.64 | |
| -- | Star-socket screw | M8X35 | 12 | | | 07119907865 | | |
| 06 | Heat Protection Plate Right | | 1 | | | 22111094624 | \$1.49 | |
| 07 | HEAT RESISTANCE PLATE ENGINE SUPPORT | | 1 | | | 22111094623 | \$3.87 | |
| 09 | Cable clip | | 1 | | | 12512248683 | \$2.87 | |

3' E46 M3 Crankcase-Ventilation/oil separator

[Engine](#) > [Cylinder Head](#)

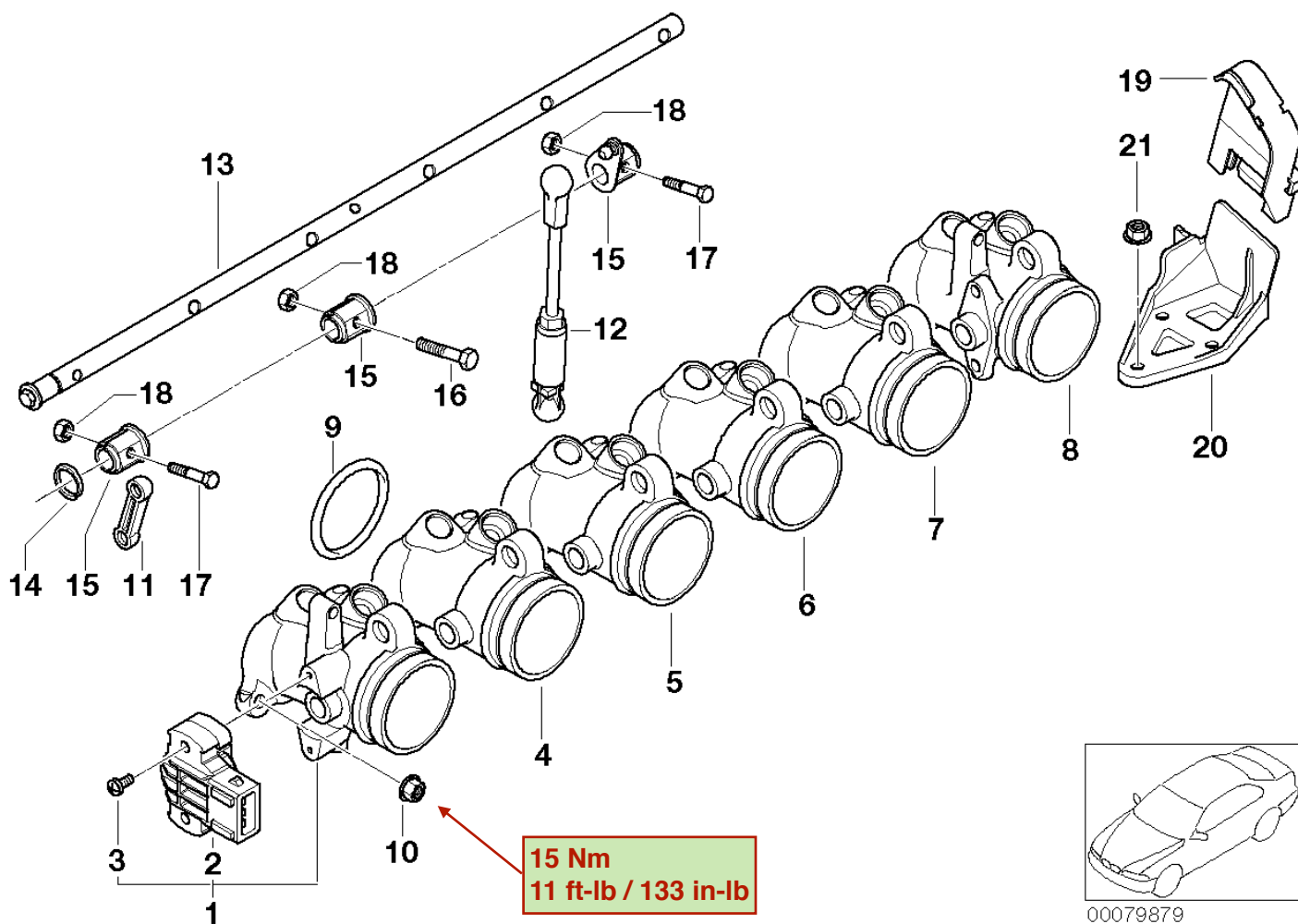


00074632

| No. | Description | Supp. | Qty | From | Up To | Part Number | Price | Notes |
|---|---------------------------|-----------------|-----|---------|---------|-----------------------------|---------|-------|
| For vehicles with Sequential M transmission Drivelogic | | | | | | | | |
| | | S793A=No | | | | | | |
| 01 | Oil separator | | 1 | | | 11157840446 | \$33.39 | +core |
| 02 | Vent hose | | 1 | | | 11157831311 | \$15.37 | |
| 03 | Vent hose | | 1 | | | 11617831930 | \$45.18 | |
| 04 | Return pipe | | 1 | | 02/2002 | 11157832781 | \$99.25 | |
| | only in conjunction with | | | | | | | |
| -- | Connector | | 1 | | 02/2002 | 11127833008 | \$48.80 | |
| 04 | Return pipe | | 1 | 02/2002 | | 11157832781 | \$99.25 | |
| 05 | Return pipe | | 1 | | 02/2002 | 11157832781 | \$99.25 | |
| | only in conjunction with | | | | | | | |
| -- | Connector | | 1 | | 02/2002 | 11127833008 | \$48.80 | |
| 05 | Return pipe | | 1 | 02/2002 | | 11157832781 | \$99.25 | |
| 06 | Hexagon screw with flange | M6X20 | 5 | | | 07119905546 | \$6.73 | |
| 07 | Hollow bolt | | 1 | | | 07119905427 | \$2.25 | |
| 08 | Gasket ring | A12X15-CU | 2 | | | 07119963129 | \$0.11 | |
| 09 | Hex bolt | M6X12-8.8-ZNNIV | 2 | | 02/2002 | 07119905524 | \$0.27 | |
| 09 | Hex bolt with washer | M6X12-U1-8.8 | 2 | 02/2002 | | 07119904517 | \$0.36 | |

3' E46 M3 Throttle body/acceleration

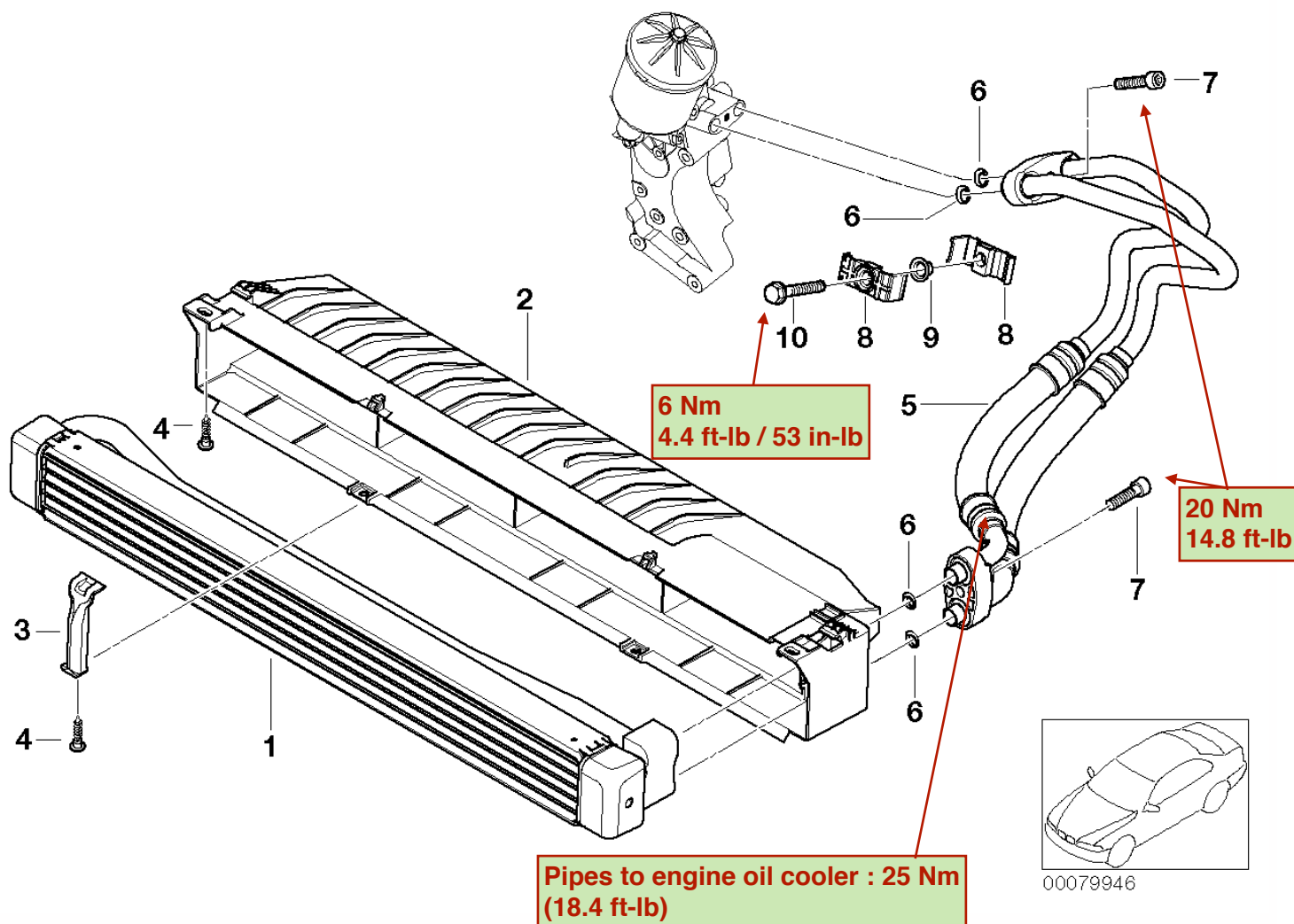
[Fuel Preparation System](#) > [Fuel injection system](#)



| No. | Description | Supp. | Qty | From | Up To | Part Number | Price | Notes |
|-----|-----------------------|-----------------|-----|------|-------|-----------------------------|----------|-------|
| 01 | Throttle Housing Assy | ZYL. 1 | 1 | | | 13547840422 | \$389.90 | +core |
| 02 | THROTTLE VALVE SWITCH | 4 KOHM | 1 | | | 13637840383 | \$96.25 | |
| 03 | Fillister head screw | M4X2,5 | 2 | | | 13541726918 | \$5.50 | |
| 04 | Throttle Housing Assy | ZYL. 2,4,5 | 1 | | | 13547840423 | \$389.90 | +core |
| 05 | Throttle Housing Assy | ZYL. 3 | 1 | | | 13547840424 | \$389.90 | +core |
| 06 | Throttle Housing Assy | ZYL. 2,4,5 | 1 | | | 13547840423 | \$389.90 | +core |
| 07 | Throttle Housing Assy | ZYL. 2,4,5 | 1 | | | 13547840423 | \$389.90 | +core |
| 08 | Throttle Housing Assy | ZYL. 6 | 1 | | | 13547840425 | \$389.90 | +core |
| 09 | O-ring | | 6 | | | 13547831483 | \$2.48 | |
| 10 | Hex nut with plate | AM7 ZNNIV SI | 12 | | | 07129905541 | \$0.64 | |
| 11 | PULL ROD | | 6 | | | 13547832148 | \$2.12 | |
| 12 | PULL ROD | | 1 | | | 13547839073 | \$26.17 | |
| 13 | OPERATING SHAFT | | 1 | | | 13547838121 | \$136.55 | +core |
| 14 | Circlip | 10 | 1 | | | 07119932880 | \$0.25 | |
| 15 | OPERATING LEVER | | 7 | | | 13547830567 | \$54.10 | |
| 16 | Hex bolt | M5X25-10.9-ZNS3 | 5 | | | 07119904498 | \$0.20 | |
| 17 | Fit bolt | | 2 | | | 13547836410 | \$5.68 | |
| 18 | Hex nut | M5-8-ZNNIV SI | 7 | | | 07129904475 | \$0.25 | |

3' E46 M3 Engine oil cooler

[Radiator](#) > [Radiator](#)



| No. | Description | Supp. | Qty | From | Up To | Part Number | Price | Notes |
|-----|-----------------------------|---------------|-----|------|-------|-----------------------------|----------|-------|
| 01 | Engine oil cooler | | 1 | | | 17212228942 | \$368.00 | |
| 02 | OIL COOLER RACKSIDE | | 1 | | | 17212229744 | \$37.51 | |
| 03 | BRACKET OIL COOLER MOUNTING | | 2 | | | 17212229771 | \$4.43 | |
| 04 | Screw self-tapping | D6X20 ZNS3 | 4 | | | 17117536971 | \$1.12 | |
| 05 | OIL COOLING PIPE | | 1 | | | 17222283209 | \$202.23 | +core |
| 06 | O-ring | 13,4X1,78 | 4 | | | 17222245358 | \$1.18 | |
| 07 | Fillister-head screw | M8X28 | 2 | | | 17227833189 | \$3.25 | |
| 08 | BRACKET OIL PIPE | | 2 | | | 17201712209 | \$3.52 | |
| 09 | Spacer sleeve | D6 | 1 | | | 17227798686 | \$3.32 | |
| 10 | Hex bolt with washer | M6X30-U2-ZNS3 | 1 | | | 07119903994 | \$0.65 | |

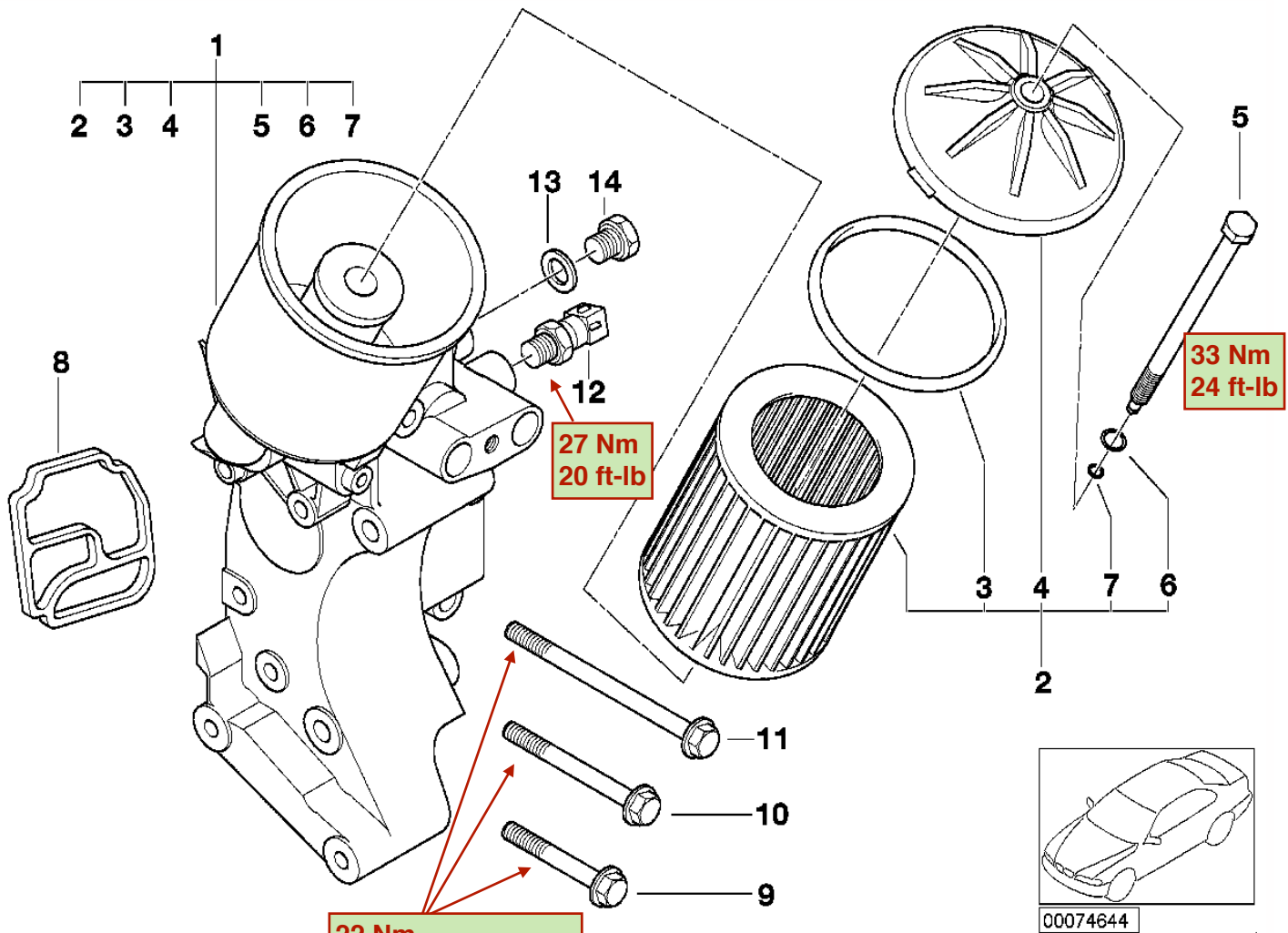
Notes

- +core = plus core charge (possibility of a return of the old part)

Copyright © RealOEM.com

3' E46 M3 Lubrication system-Oil filter

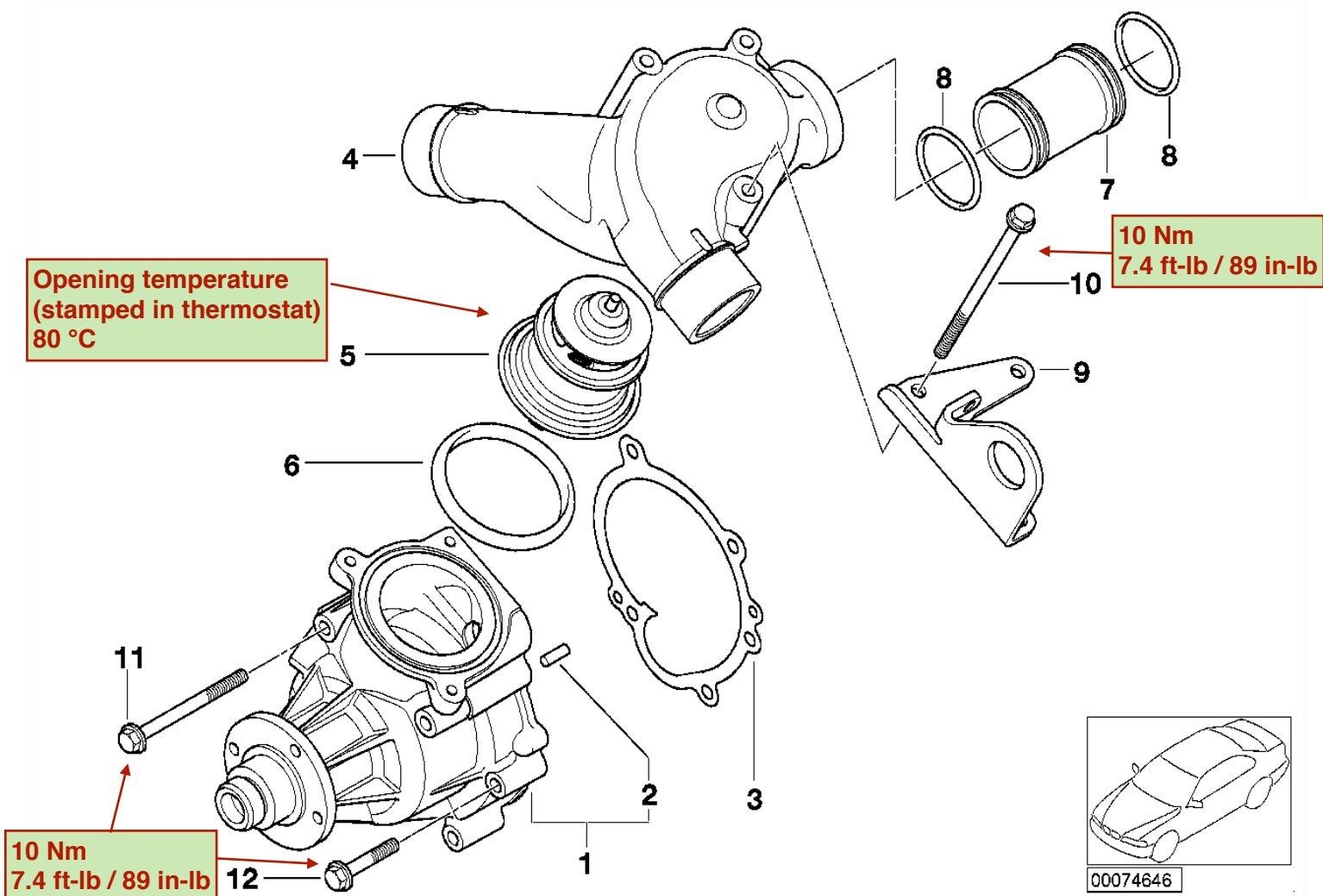
[Engine](#) > [Lubrication system](#)



| No. | Description | Supp. | Qty | From | Up To | Part Number | Price | Notes |
|-----|---------------------------------------|---------------|-----|------|---------|-----------------------------|----------|--------------|
| 01 | OIL FILTER WITH OIL COOLER CONNECTION | | 1 | | | 11427839858 | \$430.05 | |
| 02 | Set oil-filter element | | 1 | | | 11427833769 | \$14.60 | |
| 03 | O-ring | 91X4 | 1 | | | 11421741000 | \$5.04 | |
| 04 | OIL FILTER COVER | | 1 | | | 11421711075 | \$26.45 | |
| 05 | Screw | | 1 | | | 11427839820 | \$7.07 | |
| 06 | Gasket ring | A10X14-ST | 1 | | | 07119963080 | \$0.82 | |
| 07 | O-ring | 4,5X1,5 | 1 | | | 11421711076 | \$0.37 | |
| 08 | Gasket | | 1 | | | 11421719855 | \$6.08 | |
| 09 | Hex bolt | M8X50-U1-8.8 | 3 | | | 07119904504 | \$1.15 | |
| 10 | Hex bolt with washer | M8X65-U1 | 2 | | | 07119905401 | \$1.80 | |
| 11 | Hex bolt with washer | M8X100-U1-8.8 | 1 | | | 07119905403 | \$1.69 | |
| 12 | OIL PRESSURE SWITCH | M12X1,5 | 1 | | 07/2012 | 12617620512 | | ENDED, +core |
| 12 | OIL PRESSURE SWITCH | M12X1,5 | 1 | | 08/2012 | 12617620512 | | ENDED, +core |
| 12 | OIL PRESSURE SWITCH | M12X1,5 | 1 | | 08/2008 | 12612367061 | | ENDED |

3' E46 M3 Waterpump - Thermostat

[Engine](#) > [Engine cooling](#)



| No. | Description | Supp. | Qty | From | Up To | Part Number | Price | Notes |
|-----|---|--------------|-----|------|-------|-----------------------------|----------|-------|
| 01 | Remanufactured coolant pump, mechanical | | 1 | | | 11517838159 | \$627.35 | ENDED |
| 01 | Coolant pump, mechanical | | 1 | | | 11517838118 | | |
| 02 | Dowel pin | 5 H8X14 | 2 | | | 07119942283 | \$0.85 | |
| 03 | Gasket Steel | | 1 | | | 11517831099 | \$5.63 | |
| 04 | Thermostat housing | | 1 | | | 11537831103 | \$229.06 | +core |
| 05 | Thermostat | 80GRAD | 1 | | | 11531318274 | \$79.07 | |
| 06 | O-ring | 64,77X2,62MM | 1 | | | 11531318402 | \$4.27 | |
| 07 | Pipe | | 1 | | | 11537830710 | \$17.92 | |
| 08 | O-ring | 38,0X3,0MM | 2 | | | 11537830709 | \$1.75 | |
| 09 | Holder | | 1 | | | 11537838119 | | |
| 10 | Hex bolt with washer | M6X85-U1-8.8 | 3 | | | 07119905548 | \$3.42 | |
| 11 | Hex bolt with washer | M6X70 | 2 | | | 07119905395 | \$0.71 | |
| 12 | Hex bolt with washer | M6X35-U1-8.8 | 3 | | | 07119904589 | \$0.47 | |

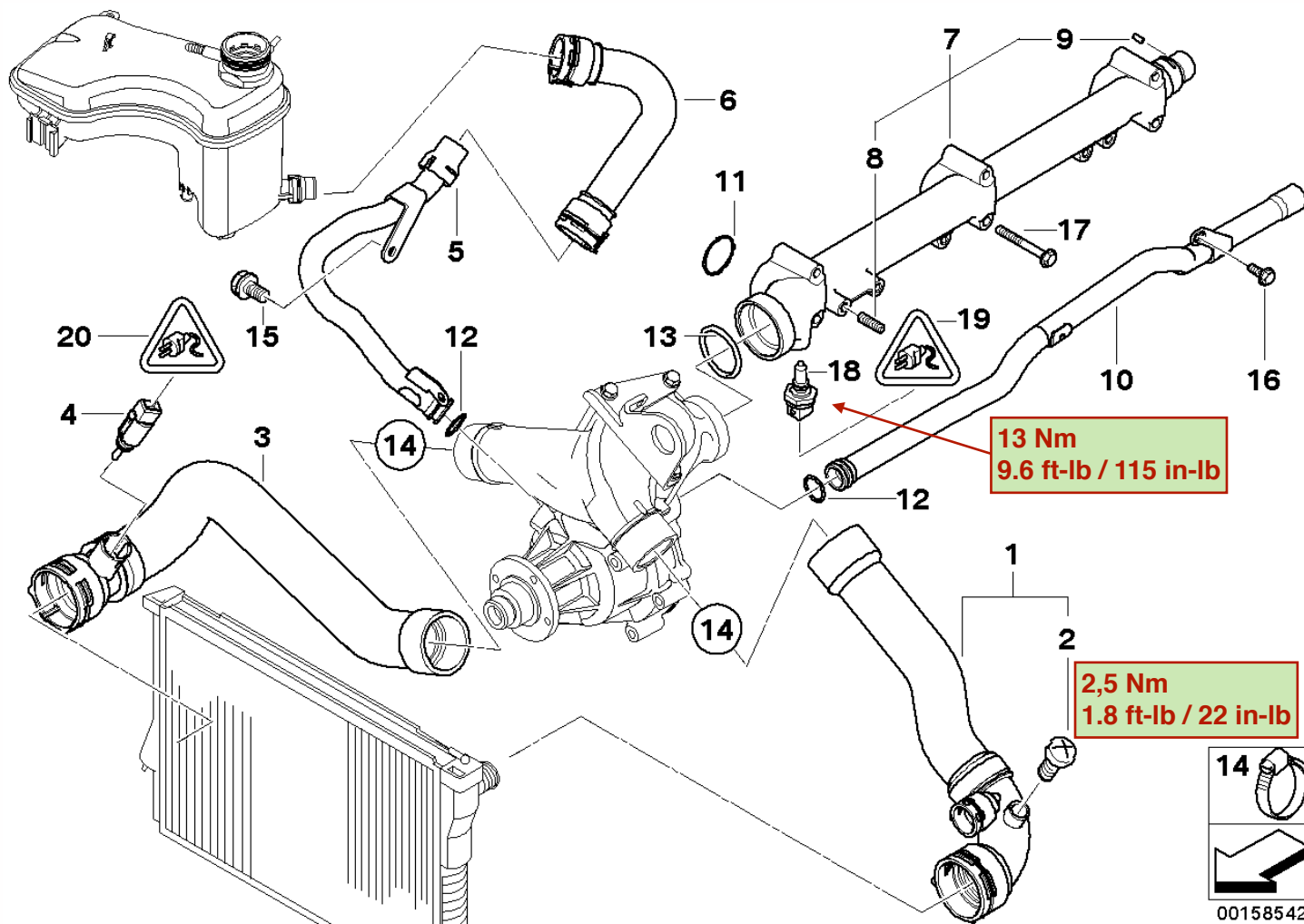
Notes

- ENDED = the part has been discontinued (no longer available).
- +core = plus core charge (possibility of a return of the old part)

3' E46 M3 Cooling System Water Hoses

[Engine](#) > [Engine cooling](#)

Coolant pressure : 2 bar system

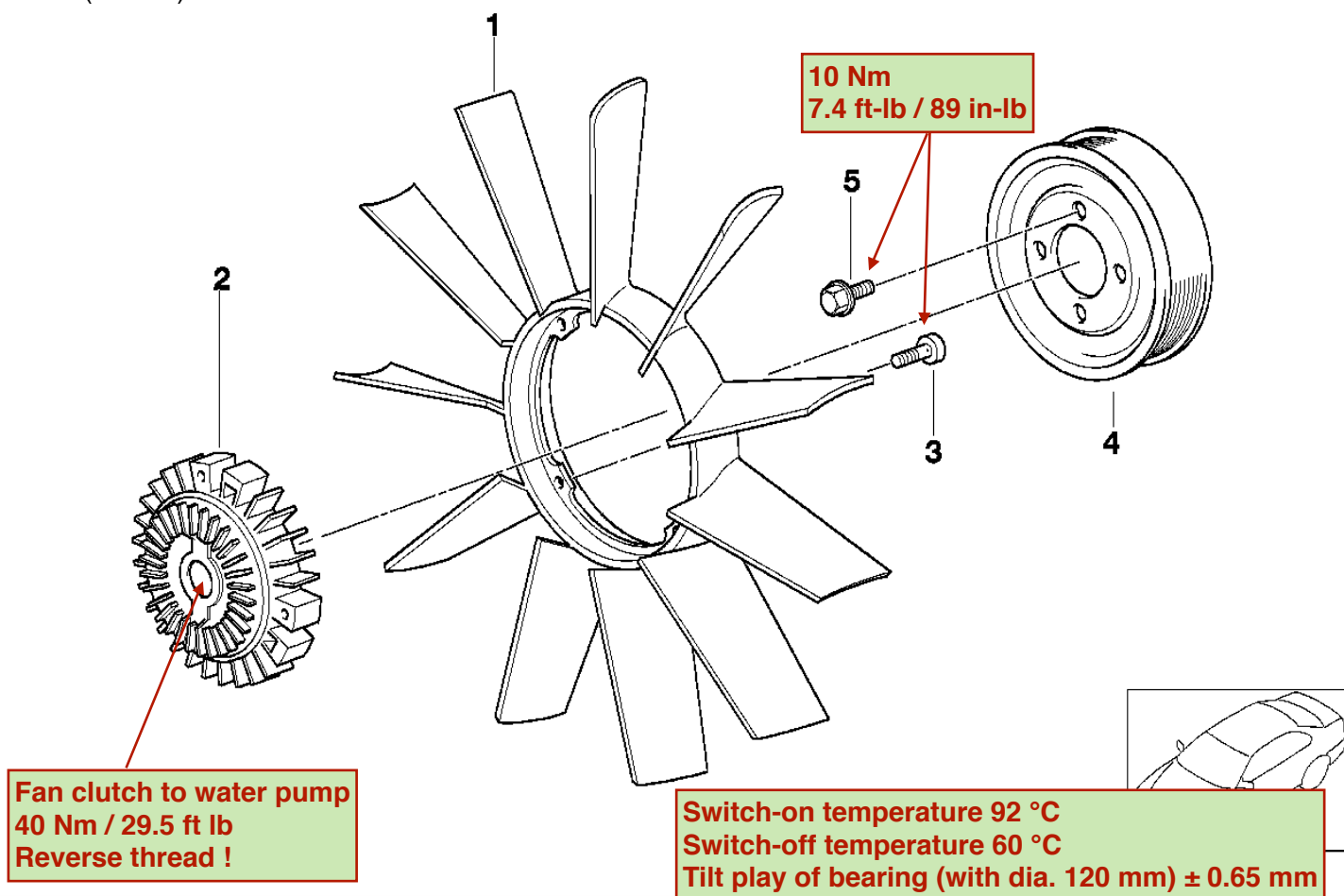


| No. | Description | Supp. | Qty | From | Up To | Part Number | Price | Notes |
|----------|--|--------------|-----|------|-------|-----------------------------|----------|-------|
| <i>i</i> | Heater water hose see main section 64 | | | | | | | |
| 01 | WATER HOSE | | 1 | | | 11537830716 | \$26.42 | +core |
| 02 | Vent screw | | 1 | | | 17111712788 | \$3.17 | |
| 03 | WATER HOSE | | 1 | | | 11537830715 | \$33.96 | +core |
| 04 | Temperature sensor, coolant | | 1 | | | 13621433077 | \$25.03 | |
| 05 | Pipe | | 1 | | | 11537830711 | \$58.38 | |
| 06 | WATER HOSE | | 1 | | | 11537830713 | \$18.87 | +core |
| 07 | Return pipe | | 1 | | | 11537838756 | \$120.32 | +core |
| 08 | Stud bolt | M6X22 | 2 | | | 07129905552 | \$4.44 | |
| 09 | Dowel pin | 3,7X8 | 1 | | | 11537839819 | \$3.47 | |
| 10 | Pipe | | 1 | | | 11537830714 | \$47.12 | |
| 11 | Gasket | | 3 | | | 11537830708 | \$6.02 | |
| 12 | O-ring | 18X3 | 2 | | | 11537830712 | \$1.25 | |
| 13 | O-ring | 38,0X3,0MM | 1 | | | 11537830709 | \$1.75 | |
| 14 | Hose clamp | L42-48 | 2 | | | 07129952119 | \$1.15 | |
| 15 | Hex bolt | M6X10 | 1 | | | 07119903842 | \$0.45 | |
| 16 | Hex bolt with washer | M6X14-U1-8.8 | 2 | | | 07119905525 | \$0.47 | |

3' E46 M3 COOLING SYSTEM-FAN/FAN COUPLING

[Engine](#) > [Engine cooling](#)

Radiator cooling fan to coolant pump
40 Nm (30 ft-lb)



| No. | Description | Supp. | Qty | From | Up To | Part Number | Price | Notes |
|-----|----------------------|-----------------|-----|------|-------|-----------------------------|----------|-------|
| 01 | Fan 11 blade | D=420MM | 1 | | | 11521712058 | \$60.90 | +core |
| 02 | FAN COUPLING | | 1 | | | 11527831619 | \$202.21 | |
| 03 | Fillister-head screw | M6X16-8.8-ZNNIV | 3 | | | 07129905536 | \$0.64 | |
| 04 | Pulley | | 1 | | | 11517840403 | \$50.54 | |
| 05 | Hex bolt with washer | M6X12-U1-8.8 | 4 | | | 07119904517 | \$0.36 | |

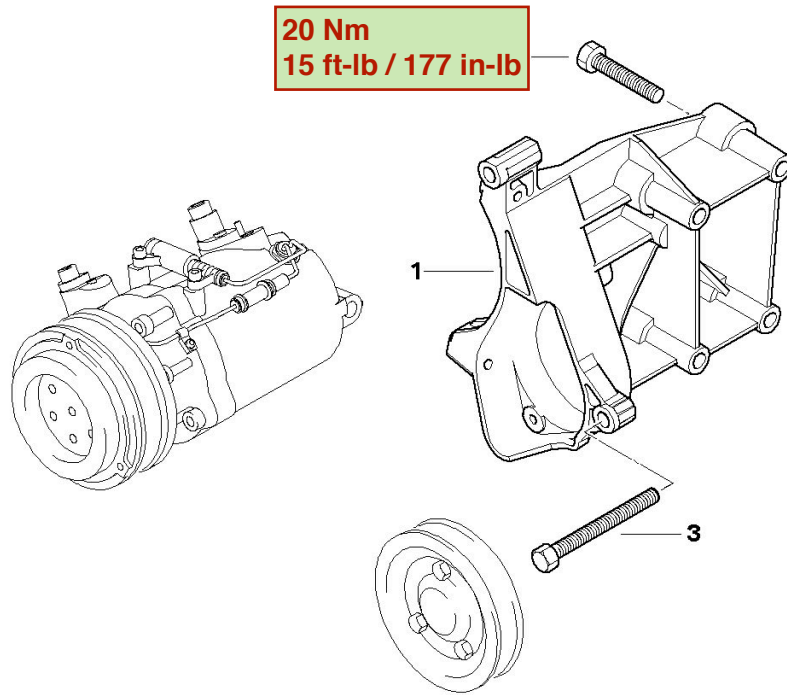
Notes

- +core = plus core charge (possibility of a return of the old part)

Copyright © RealOEM.com

3' E46 M3 CLIMATE COMPRESSOR SUPPORTING BRACKET

[Heater and Air Conditioning](#) > [Compressor, magnetic clutch](#)



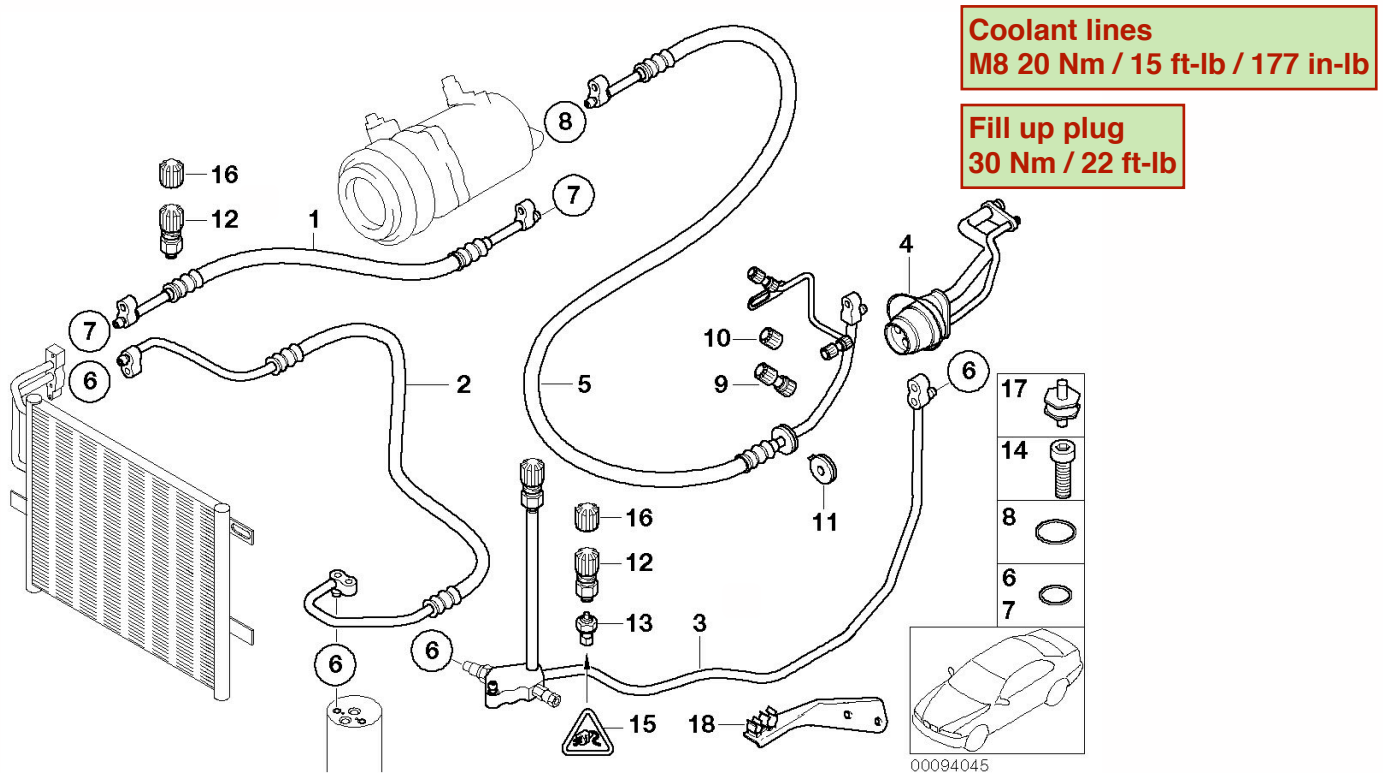
| No. | Description | Supp. | Qty | From | Up To | Part Number | Price | Notes |
|-----|---------------------------------------|---------------|-----|------|---------|-----------------------------|---------|-------|
| 01 | CLIMATE COMPRESSOR SUPPORTING BRACKET | | 1 | | | 64551432237 | \$54.75 | |
| 02 | Hex bolt with washer | M8X30-Z1 | 3 | | 02/2003 | 07119915117 | \$0.47 | ENDED |
| 02 | Hex bolt | M8X30-Z1-10.9 | 3 | | | 07119904137 | \$0.89 | |
| 02 | Hex bolt with washer | M8X50-Z1 | 2 | | 08/2002 | 07119912503 | \$0.80 | ENDED |
| 02 | Hex bolt | M8X50-U1-8.8 | 2 | | | 07119904504 | \$1.15 | |
| 02 | Hex bolt with washer | M8X90-U1 | 3 | | | 07119905392 | \$1.53 | |

Notes

- ENDED = the part has been discontinued (no longer available).

3' E46 M3 Coolant lines

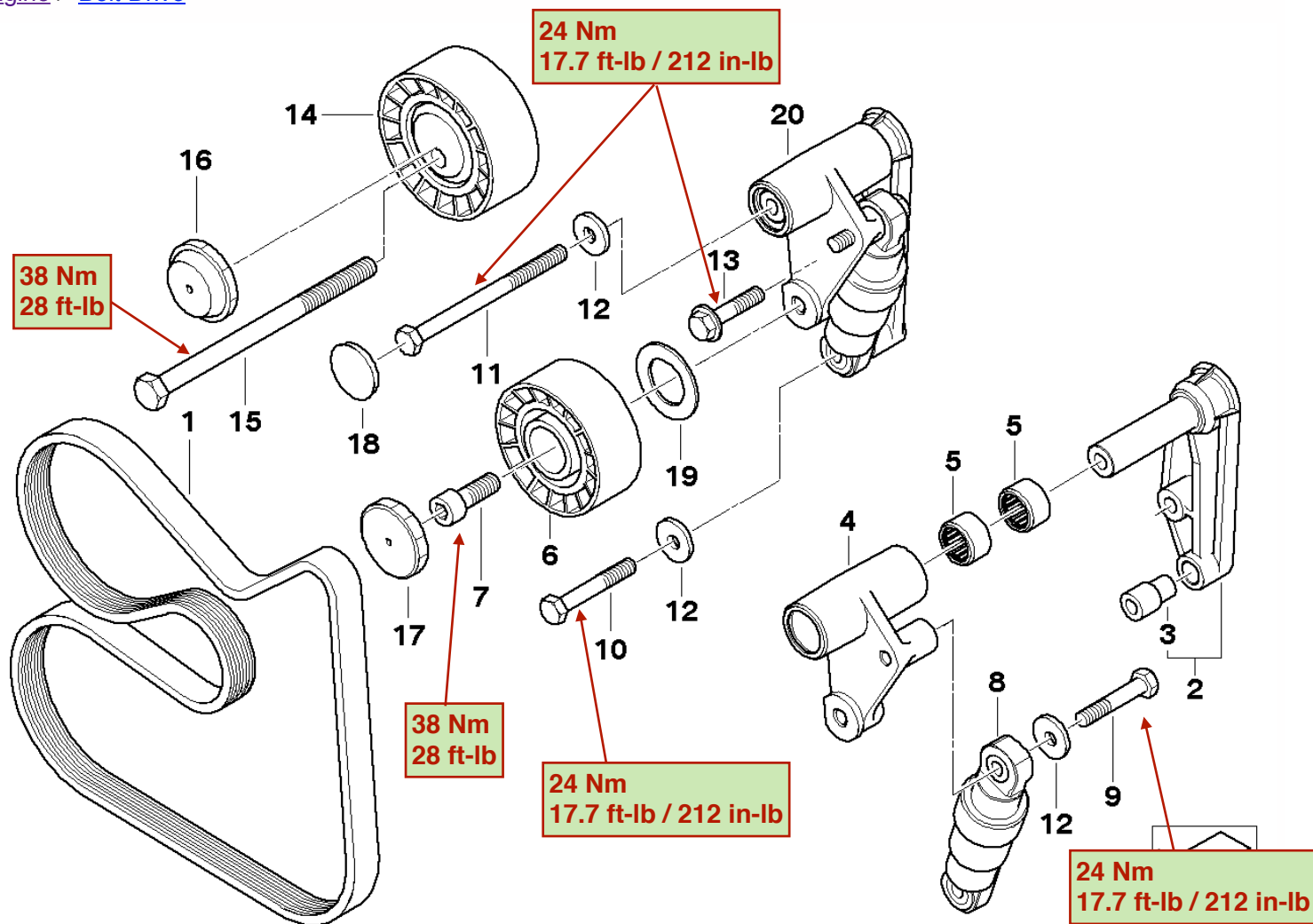
[Heater and Air Conditioning](#) > [coolant lines, drying container](#)



| No. | Description | Supp. | Qty | From | Up To | Part Number | Price | Notes |
|-----|--|--------------|-----|---------|---------|-----------------------------|----------|-------|
| 01 | PRESSURE HOSE ASSY COMPRESSOR-CONDENSER | | 1 | | | 64536902681 | \$145.83 | |
| 02 | CONDENSER-DRYER PRESSURE HOSE ASSY | | 1 | | | 64536904013 | \$63.95 | |
| 03 | DRYER-EVAPORATOR PRESSURE HOSE ASSY | | 1 | 09/1999 | 06/2002 | 64536908908 | \$147.93 | ENDED |
| 03 | DRYER-EVAPORATOR PRESSURE HOSE ASSY | | 1 | 09/1999 | | 64536909448 | | |
| 04 | Double pipe | | 1 | 09/1998 | | 64536908907 | \$60.15 | |
| 05 | SUCTION PIPE EVAPORATOR-COMPRESSOR only in conjunction with | | 1 | | 09/2001 | 64536933368 | \$178.02 | ENDED |
| -- | Protective COVER | | 1 | | 09/2001 | 64538385711 | \$0.80 | |
| 05 | SUCTION PIPE EVAPORATOR-COMPRESSOR only in conjunction with | | 1 | | | 64536923956 | \$142.43 | |
| -- | Protective COVER | | 1 | | | 64538385711 | \$0.80 | |
| 06 | Gasket ring | 9,5X2,5 | 4 | | | 64508374959 | \$2.69 | |
| 07 | Gasket ring | D=10,8 MM | 3 | | | 64508375741 | \$2.04 | |
| 08 | Gasket ring | D=23 MM | 1 | | | 64508363041 | \$1.22 | |
| 08 | Gasket ring | D=13,7 | 2 | | | 64538375742 | \$1.93 | |

3' E46 M3 Belt Drive Water Pump/Alternator

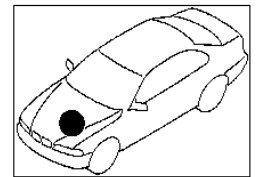
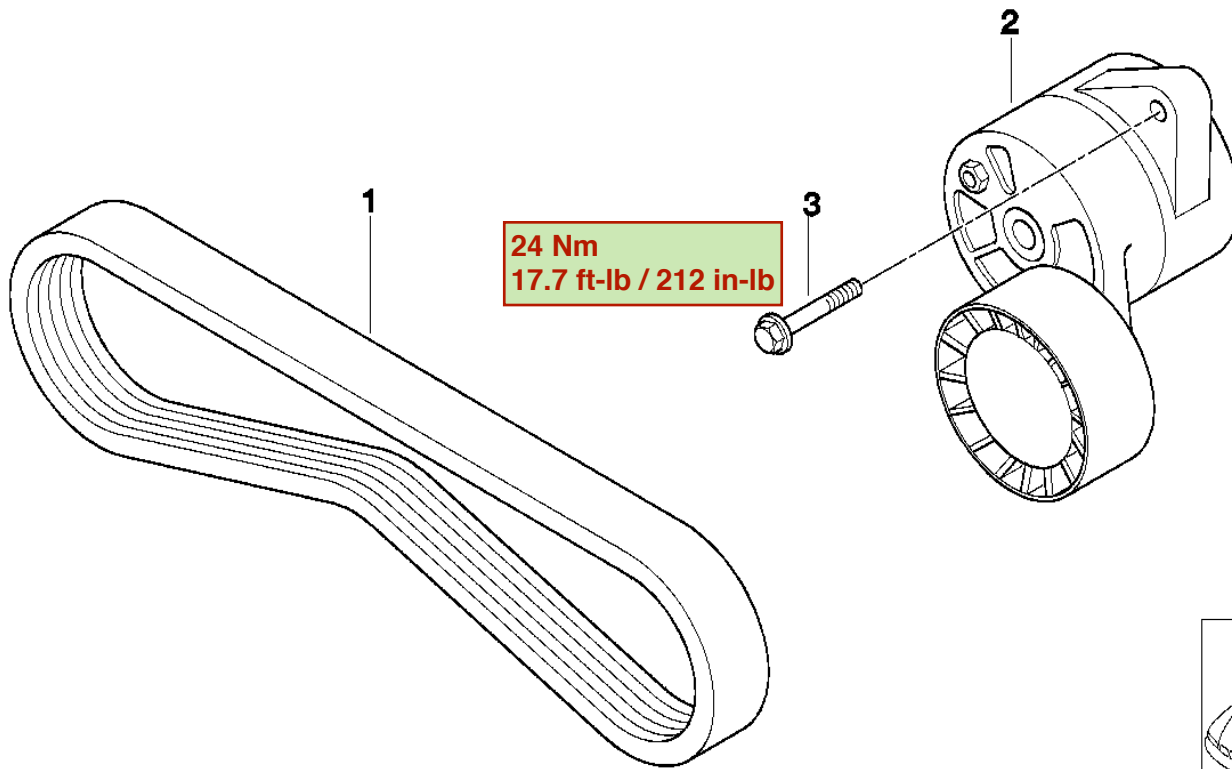
[Engine](#) > [Belt Drive](#)



| No. | Description | Supp. | Qty | From | Up To | Part Number | Price | Notes |
|-----|--------------------------|-----------------|-----|------|-------|-----------------------------|----------|-------|
| 01 | RIBBED V-BELT | 6PK X 1460 | 1 | | | 11287837898 | \$37.60 | +core |
| 02 | Base plate | | 1 | | | 11281726774 | \$67.76 | |
| 03 | Bush | | 1 | | | 11281748718 | \$8.39 | |
| 04 | Pitman arm | | 1 | | | 11281726773 | \$61.13 | |
| 05 | Needle sleeve | | 2 | | | 12311713153 | \$18.45 | |
| 06 | ADJUSTING PULLEY | | 1 | | | 11281748131 | \$45.97 | |
| 07 | Fillister-head screw | M10X25 | 1 | | | 07129905534 | \$1.50 | |
| 08 | Hydraulic belt tensioner | | 1 | | | 11281717188 | \$112.15 | |
| 09 | Fillister-head screw | M8X35-10.9-ZNS3 | 1 | | | 07119906650 | \$0.87 | |
| 10 | Hex bolt | M8X50 | 1 | | | 07119904533 | \$2.84 | |
| 11 | Hex bolt | M8X105 | 1 | | | 07119904532 | \$1.78 | |
| 12 | Washer | | 3 | | | 11287835130 | \$0.72 | |
| 13 | Hex bolt | M8X35 | 1 | | | 07119912478 | \$1.42 | |
| -- | Washer | D=8 | 1 | | | 07119907030 | | |
| 14 | Deflection pulley | | 1 | | | 11287841228 | \$46.81 | |
| 15 | Hex bolt | M10X150 | 1 | | | 07119904677 | \$3.82 | |

3' E46 M3 Belt Drive Climate Compressor

[Engine](#) > [Belt Drive](#)

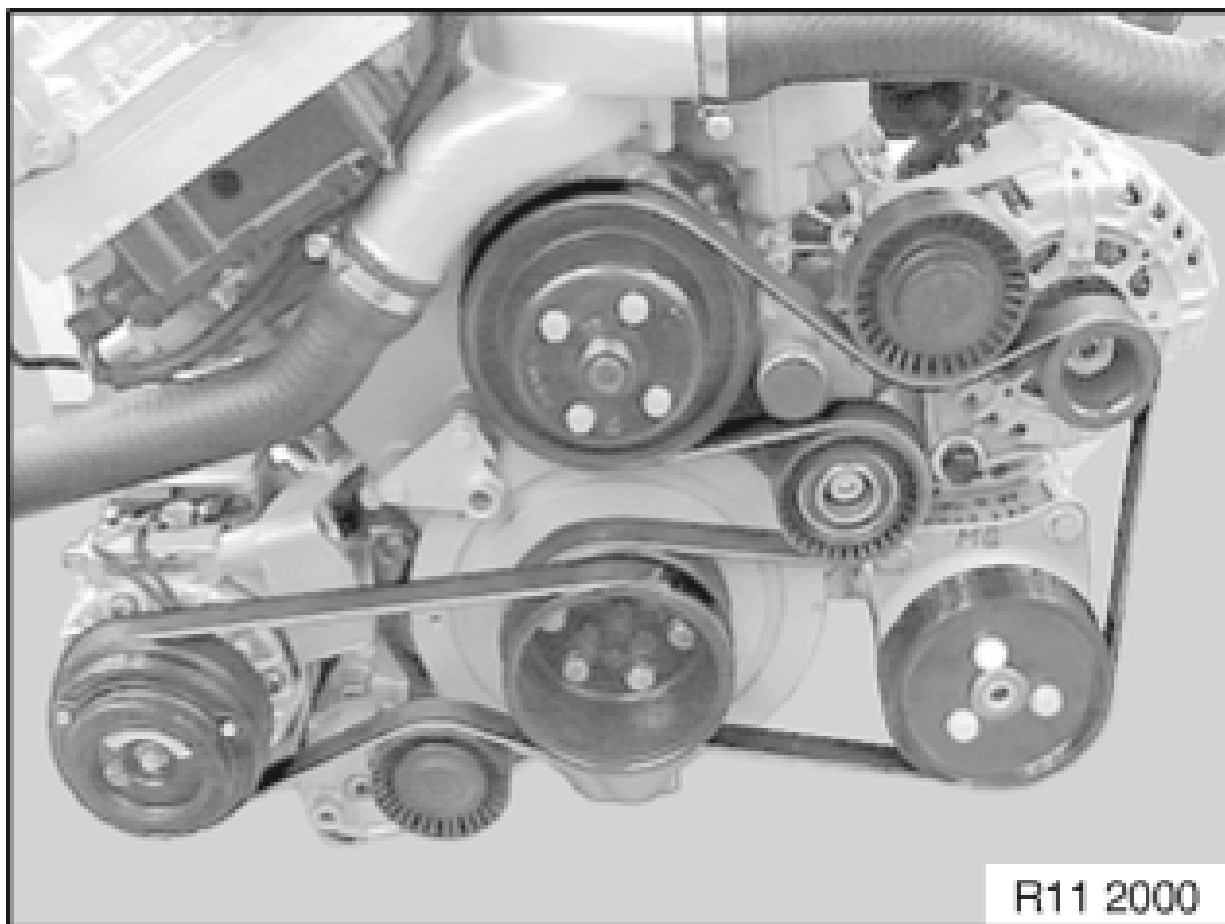


00016969

| No. | Description | Supp. | Qty | From | Up To | Part Number | Price | Notes |
|-----|---------------------------------|-----------|-----|------|-------|-----------------------------|----------|-------|
| 01 | RIBBED V-BELT | 5PK X 829 | 1 | | | 11287830946 | \$26.28 | |
| 02 | ADJUSTING PULLEY | | 1 | | | 11281433571 | \$114.67 | |
| 03 | Hex bolt | M8X35 | 2 | | | 07119912478 | \$1.42 | |
| -- | only in conjunction with Washer | D=8 | 2 | | | 07119907030 | | |

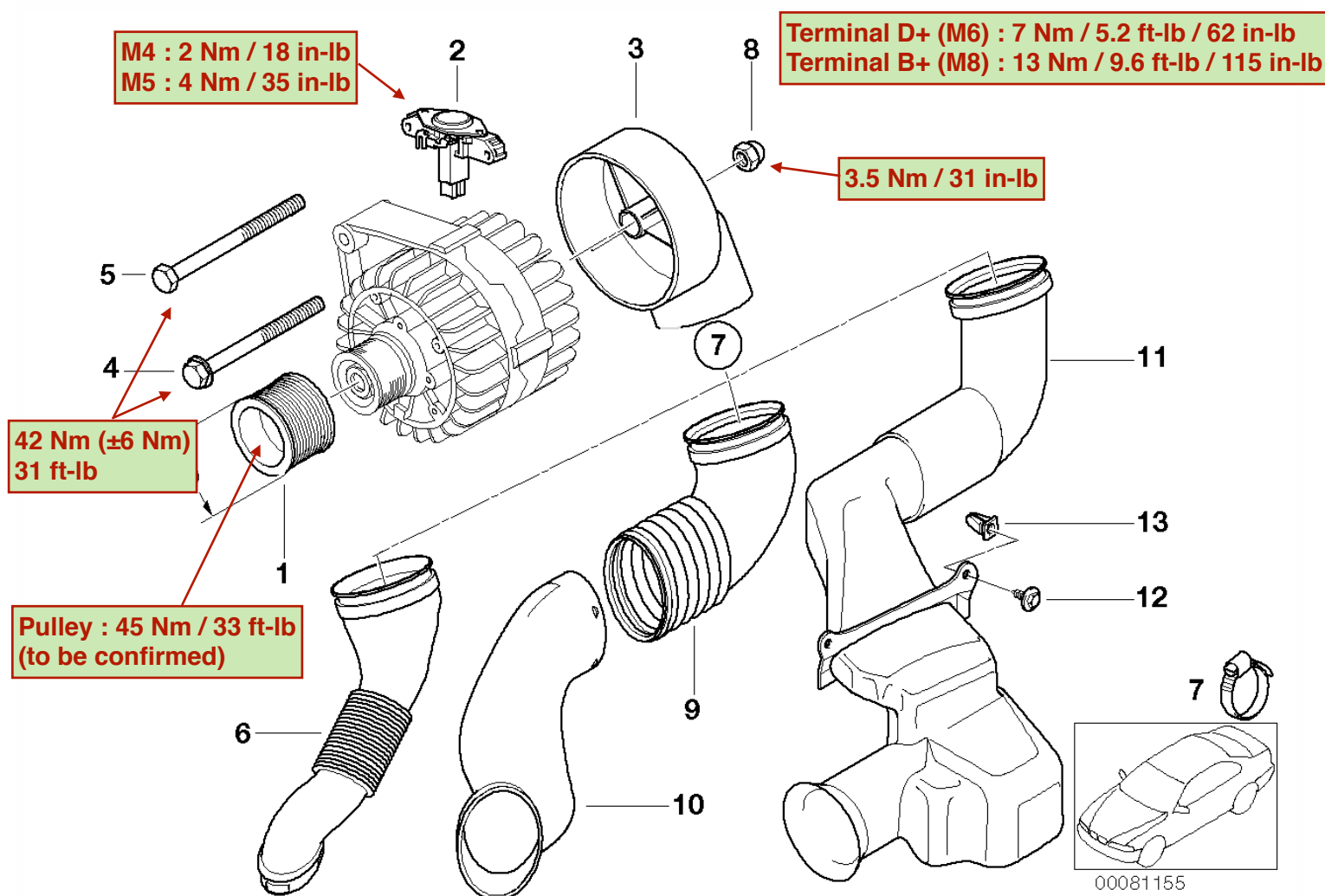
Copyright © RealOEM.com

S54 BELT ROUTING



3' E46 M3 Alternator parts 120A/140A Valeo

[Engine electrical system](#) > [Alternator, individual parts](#)



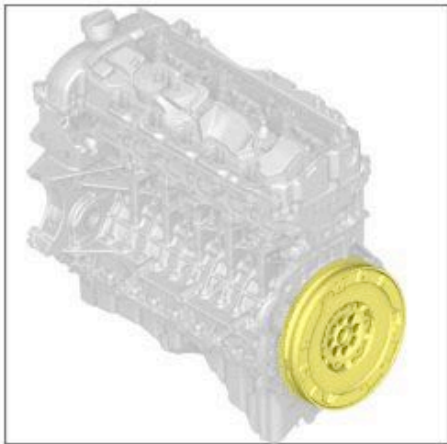
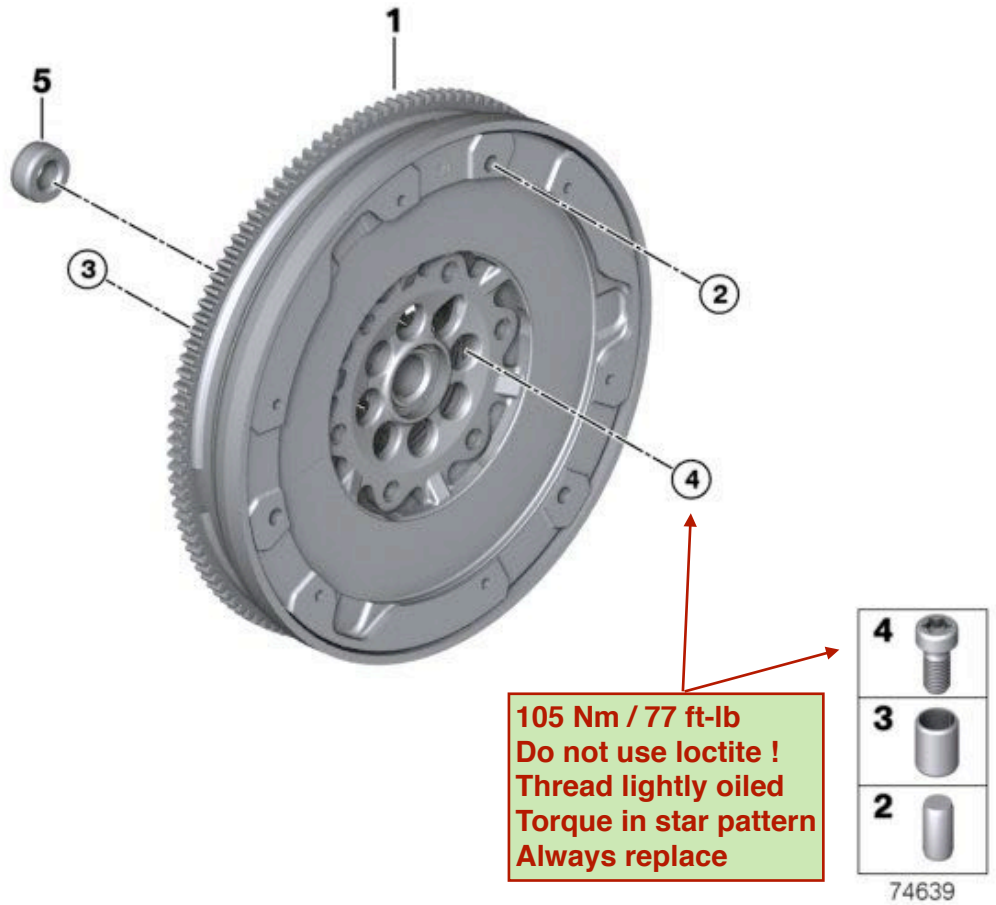
| No. | Description | Supp. | Qty | From | Up To | Part Number | Price | Notes |
|-----|-----------------------|----------|-----|------|-------|-----------------------------|----------|-------|
| 01 | Pulley alternator | D=53.2MM | 1 | | | 12317831434 | \$42.00 | ENDED |
| 02 | Voltage regulator | | 1 | | | 12317551153 | \$124.68 | |
| 03 | Cover cap, alternator | | 1 | | | 12317831435 | \$26.95 | |
| 04 | Hex bolt | M10X150 | 1 | | | 07119904677 | \$3.82 | |
| 05 | Hex bolt | M10X125 | 1 | | | 07119900630 | \$2.78 | |
| 08 | Cap nut | | 1 | | | 12427565287 | \$3.23 | |

Notes

- ENDED = the part has been discontinued (no longer available).

3' E46 M3 Flywheel / Twin Mass Flywheel

[Engine](#) > [Crankshaft drive](#)



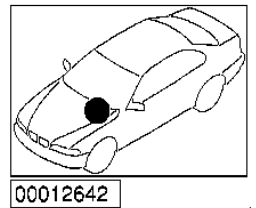
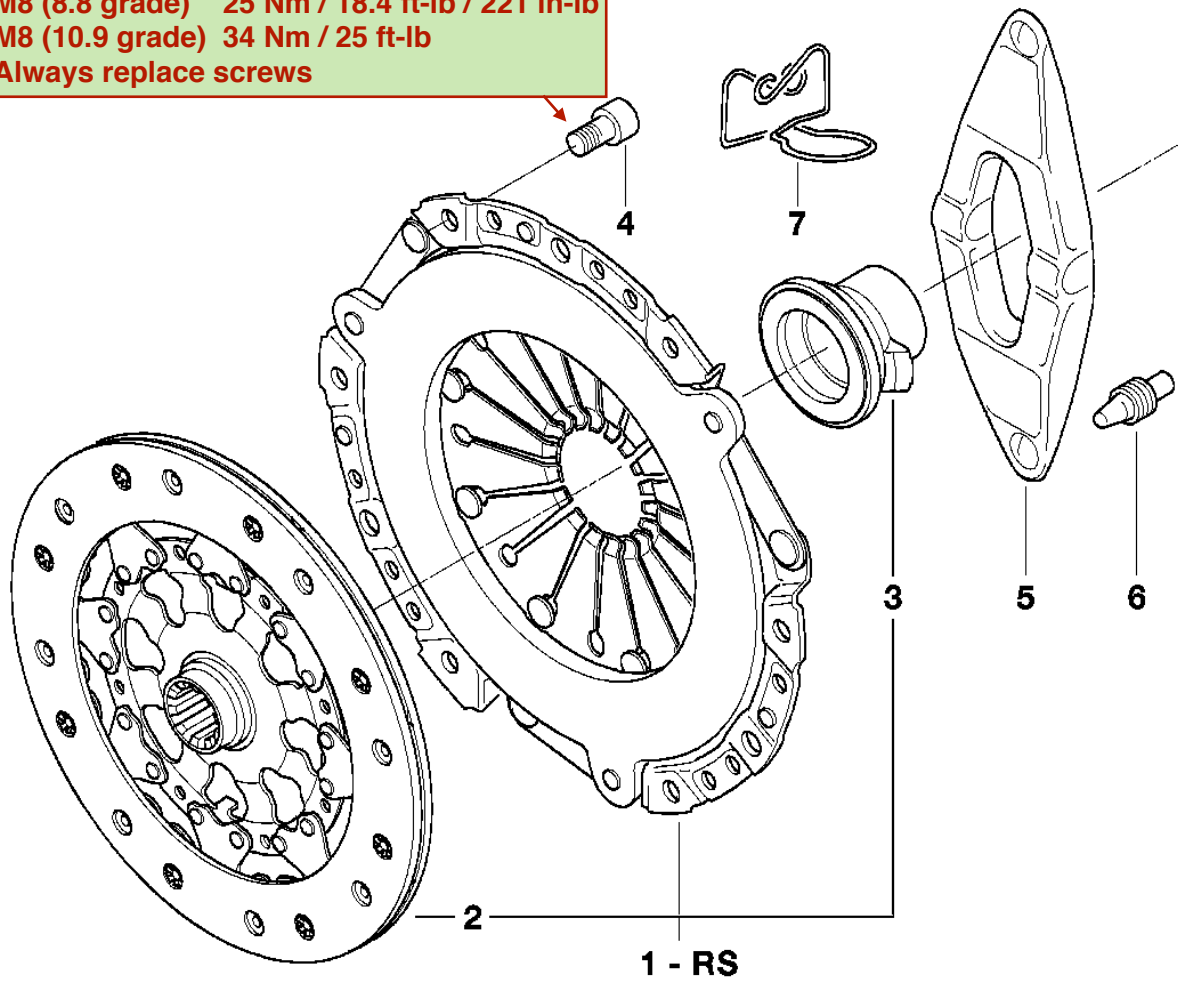
| No. | Description | Supp. | Qty | From | Up To | Part Number | Price | Notes |
|-----|---|------------|-----|------|-------|-----------------------------|----------|-------|
| 01 | Twin Mass Flywheel Required for repair | | 1 | | | 21212229900 | \$940.57 | |
| -- | Hex bolt | M12X1,5X50 | 8 | | | 11222243051 | \$2.87 | |
| 02 | Dowel pin | 10X23 | 3 | | | 11221709069 | \$5.83 | |
| 03 | Dowel | D=14,5MM | 1 | | | 11111743118 | \$1.65 | |
| 04 | Hex bolt | M12X1,5X50 | 8 | | | 11222243051 | \$2.87 | |
| 05 | Grooved ball bearing | 15X32X10 | 1 | | | 11211720310 | \$22.42 | |

Copyright © RealOEM.com

3' E46 M3 Clutch

[Clutch](#) > [Mechanical clutch](#)

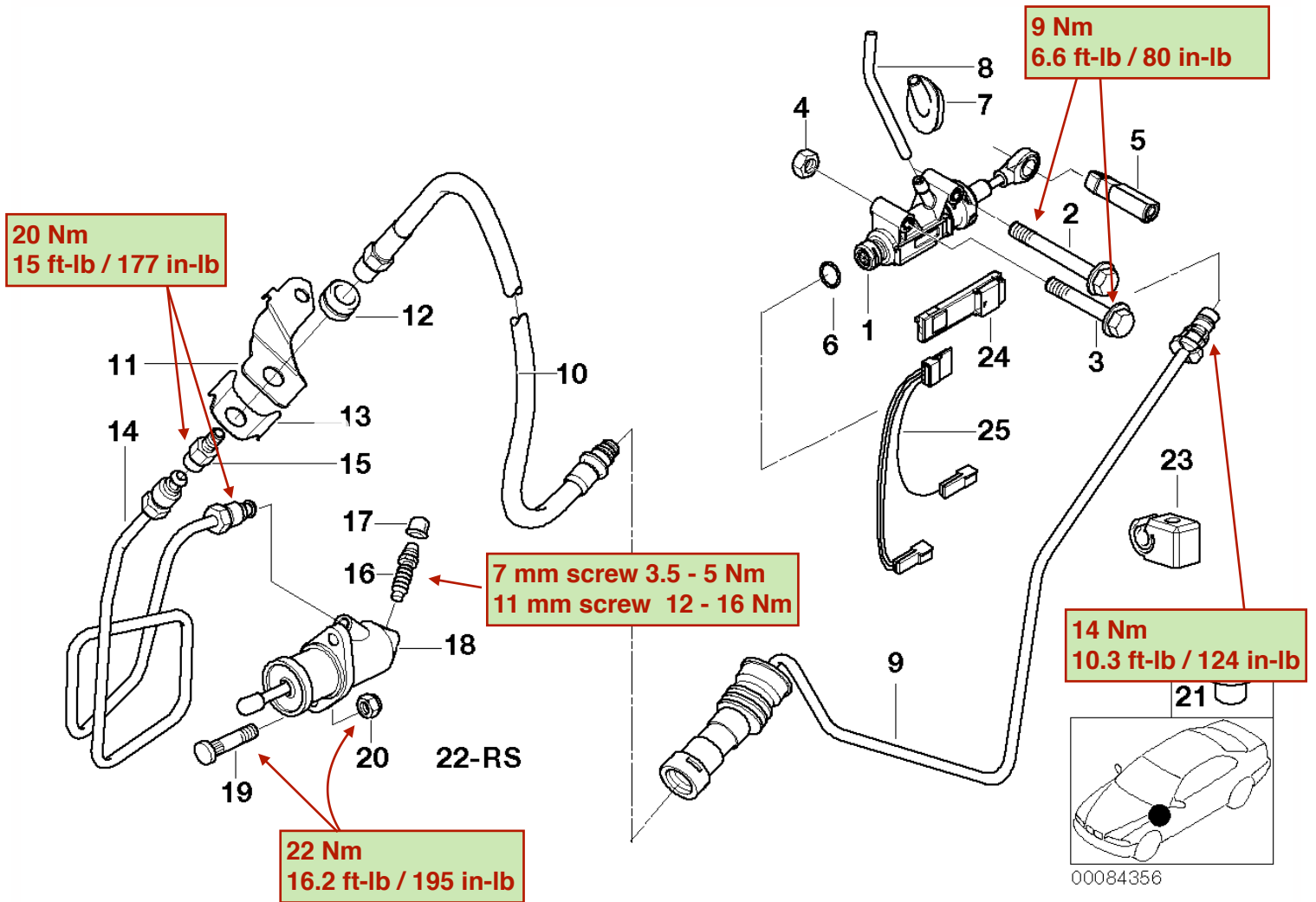
M8 (8.8 grade) 25 Nm / 18.4 ft-lb / 221 in-lb
M8 (10.9 grade) 34 Nm / 25 ft-lb
Always replace screws



| No. | Description | Supp. | Qty | From | Up To | Part Number | Price | Notes |
|-----|--|-----------------|-----|------|-------|-----------------------------|----------|-------|
| 01 | SET CLUTCH PARTS | D=240MM | 1 | | | 21212282667 | \$526.44 | |
| 02 | CLUTCH PLATE | D=240MM | 1 | | | 21212282666 | \$224.27 | |
| 03 | CLUTCH RELEASE BEARING | | 1 | | | 21511223582 | \$75.34 | |
| 04 | Fillister-head screw, micro-encapsulated | M8X18-10.9-ZNS3 | 6 | | | 21207548052 | \$0.48 | |
| 05 | CLUTCH REL.FORK LEVER | | 1 | | | 21511223302 | \$17.40 | |
| 06 | Ball pin | H=20MM | 1 | | | 21511223328 | \$1.17 | |
| 07 | Spring clip | | 1 | | | 21517570284 | \$4.50 | |

3' E46 M3 CLUTCH CONTROL

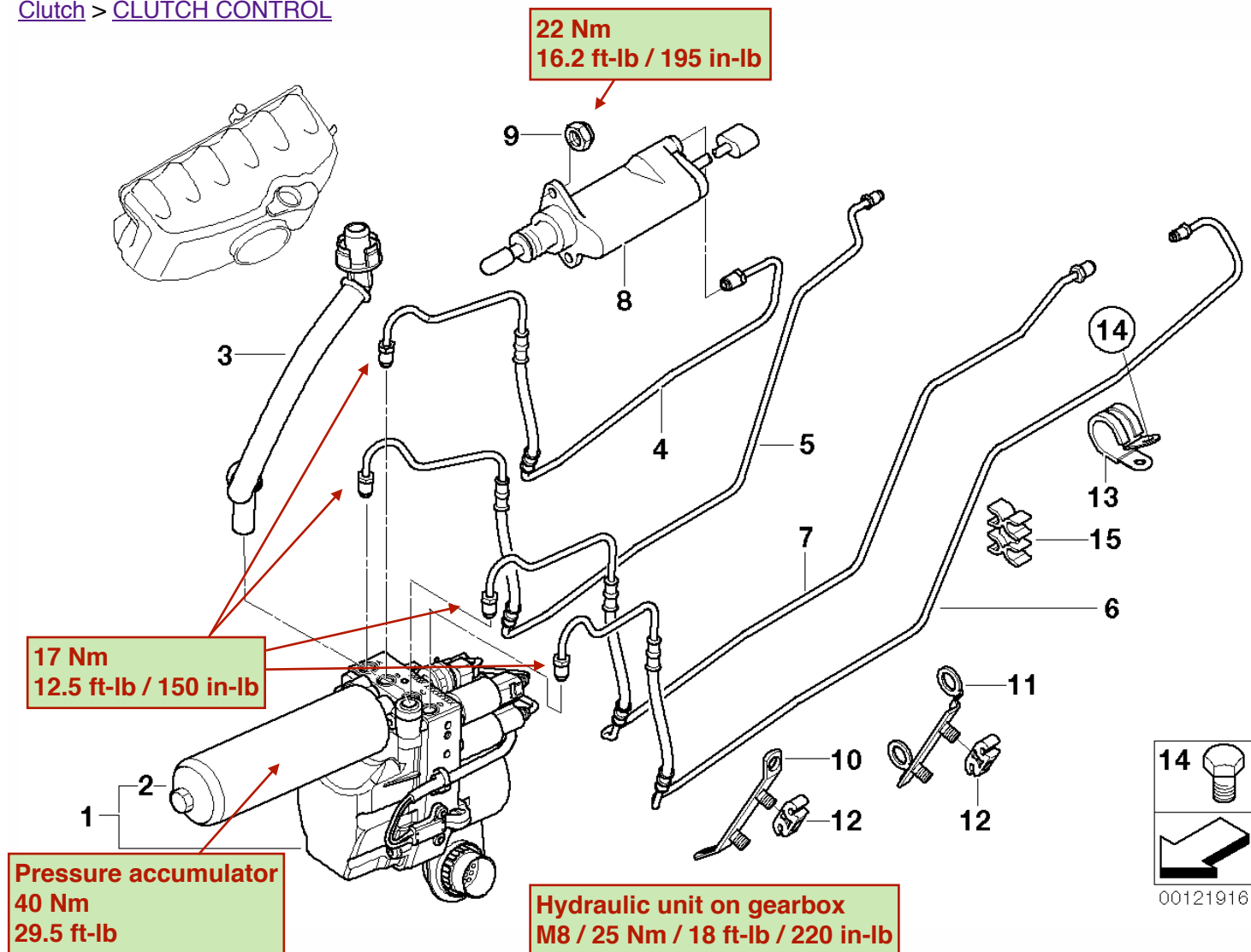
Clutch > [CLUTCH CONTROL](#)



| No. | Description | Supp. | Qty | From | Up To | Part Number | Price | Notes |
|----------|---|------------------------|-----|---------|---------|-----------------------------|----------|-------|
| <i>i</i> | For S206A see MG 23 For vehicles with Sequential manual transmission (SMG) | S206A=No | | | | | | |
| 01 | Input cylinder clutch | | 1 | | | 21526773670 | \$141.70 | |
| | For vehicles with Sport/MF steering wheel/cruise control or Cruise control only applies to start lock | S256A=Yes S540A=Yes | | | | | | |
| 01 | Input cylinder clutch only in conjunction with | | 1 | | 03/2001 | 21526773670 | \$141.70 | |
| -- | Module, clutch switch | | 1 | | 03/2001 | 61319231129 | | |
| -- | Adapter lead | | 1 | | 03/2001 | 61116911072 | \$6.67 | |
| 01 | Input cylinder clutch | | 1 | 03/2001 | | 21526773670 | \$141.70 | |
| 02 | Hex bolt | M6X65 ZNS3 | 1 | | | 07119902997 | \$0.62 | |
| 03 | Hex bolt | M6X45 8.8 ZNS3 | 1 | | | 07119902976 | \$0.45 | |
| 04 | Hex nut | M6-8-ZNNIV SI | 1 | | | 07129905817 | | |
| 05 | Pin, master cylinder | | 1 | | | 35316854283 | | |

3' E46 M3 CLUTCH CONTROL M-TRANSMISSION

[Clutch](#) > [CLUTCH CONTROL](#)

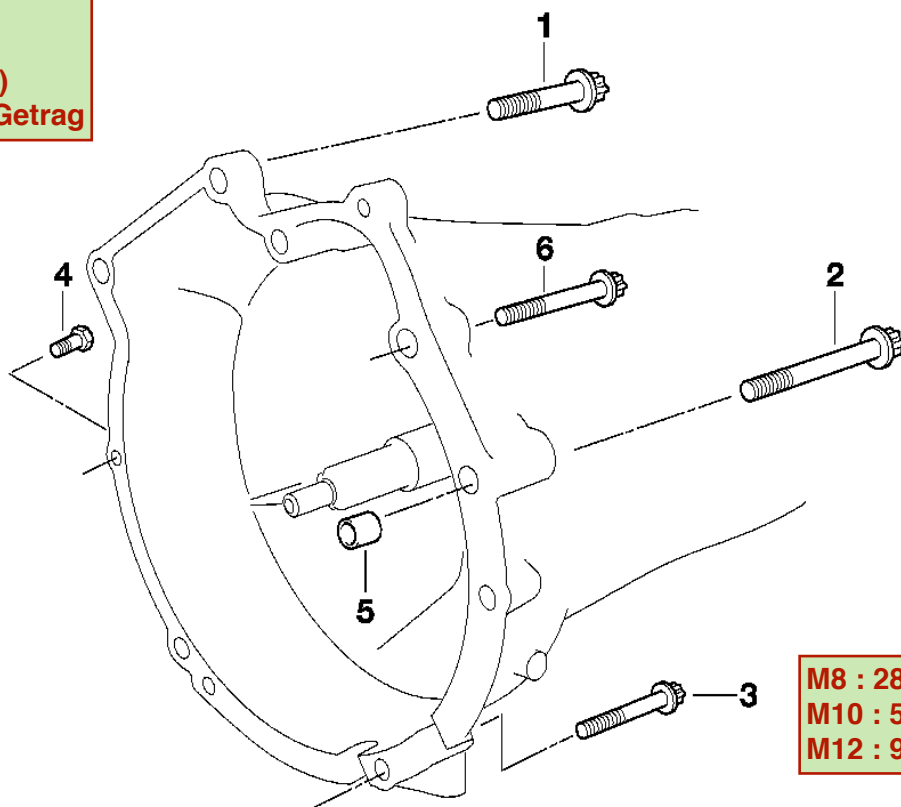


| No. | Description | Supp. | Qty | From | Up To | Part Number | Price | Notes |
|-----|--|----------|-----|------|-------|-----------------------------|-----------|-------|
| 01 | Hydraulic unit with pressure accumulator | | 1 | | | 21532229715 | \$2355.66 | |
| 02 | PRESSURE ACCUMULATOR | | 1 | | | 21532229716 | \$571.41 | |
| 03 | Connecting line | | 1 | | | 21532282255 | \$20.06 | |
| 04 | Clutch hose | | 1 | | | 21532282398 | \$38.47 | |
| 05 | Hose line, shifting path 1 | | 1 | | | 21532282395 | \$42.33 | |
| 06 | Hose line, shifting path 2 | | 1 | | | 21532282396 | \$45.47 | |
| 07 | Hose line, selection angle | | 1 | | | 21532282397 | \$45.29 | |
| 08 | OUTPUT CYLINDER,CLUTCH | | 1 | | | 21522229841 | \$263.19 | |
| 09 | SELF-LOCKING HEX NUT | M8 | 2 | | | 07129964655 | \$0.25 | |
| 10 | Bracket, hose line | | 1 | | | 23417544807 | \$21.41 | |
| 11 | Bracket, hose line | | 1 | | | 23417544829 | \$21.41 | |
| 12 | Pipe clip | | 4 | | | 23002282357 | \$1.32 | |
| 13 | Pipe clamp | | 1 | | | 21532282584 | \$2.93 | |
| 14 | Hex bolt with washer | M6X12-U1 | 1 | | | 07119904511 | \$0.62 | |
| 15 | Spacer | | 2 | | | 21532228351 | \$1.85 | |

3' E46 M3 GEARBOX MOUNTING

[Manual Transmission](#) > [Mounting / Suspension](#)

D Type gearbox
S6S 420G
S6S 420G (SMG)
Manufacturer : Getrag



M8 : 28 Nm / 20 ft-lb
M10 : 52 Nm / 38 ft-lb
M12 : 98 Nm / 72 ft-lb

00017339

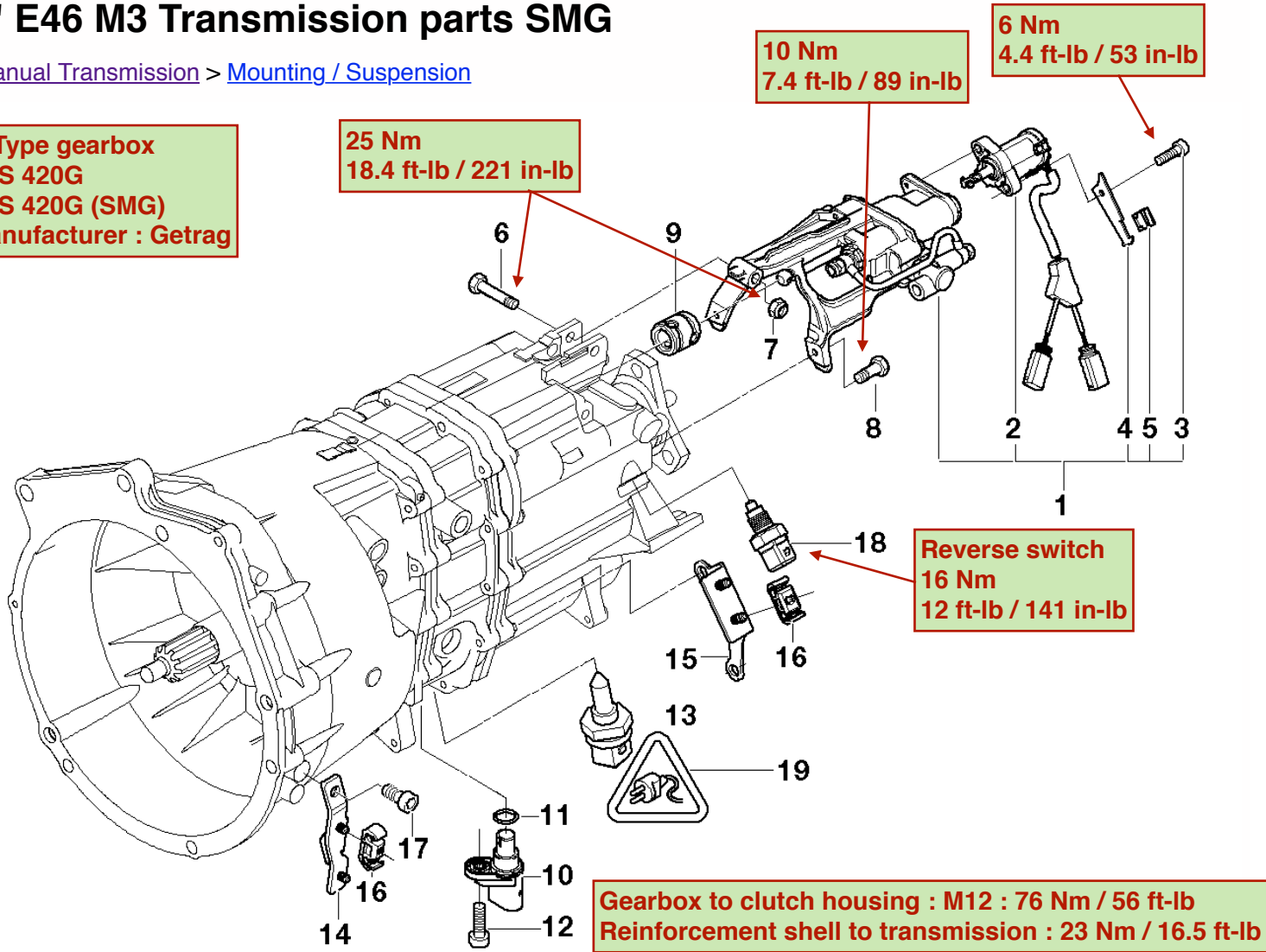
| No. | Description | Supp. | Qty | From | Up To | Part Number | Price | Notes |
|-----|-------------|-----------------|-----|------|-------|-----------------------------|--------|-------|
| 01 | Torx bolt | M12X50-8.8-ZNS3 | 2 | | | 23001222891 | \$1.32 | |
| 02 | Torx bolt | M12X90 | 2 | | | 23002282241 | \$4.72 | |
| 03 | Torx bolt | M8X50 | 3 | | | 23002282242 | \$3.88 | |
| 04 | Hex bolt | M6X12-8.8-ZNNIV | 1 | | | 07119905524 | \$0.27 | |
| 05 | Dowel | D=14,5MM | 2 | | | 11117524470 | \$1.65 | |
| 06 | Torx bolt | M10X65-8.8-ZNS3 | 2 | | | 07129904681 | \$1.64 | |

Copyright © RealOEM.com

3' E46 M3 Transmission parts SMG

[Manual Transmission](#) > [Mounting / Suspension](#)

**D Type gearbox
S6S 420G
S6S 420G (SMG)
Manufacturer : Getrag**

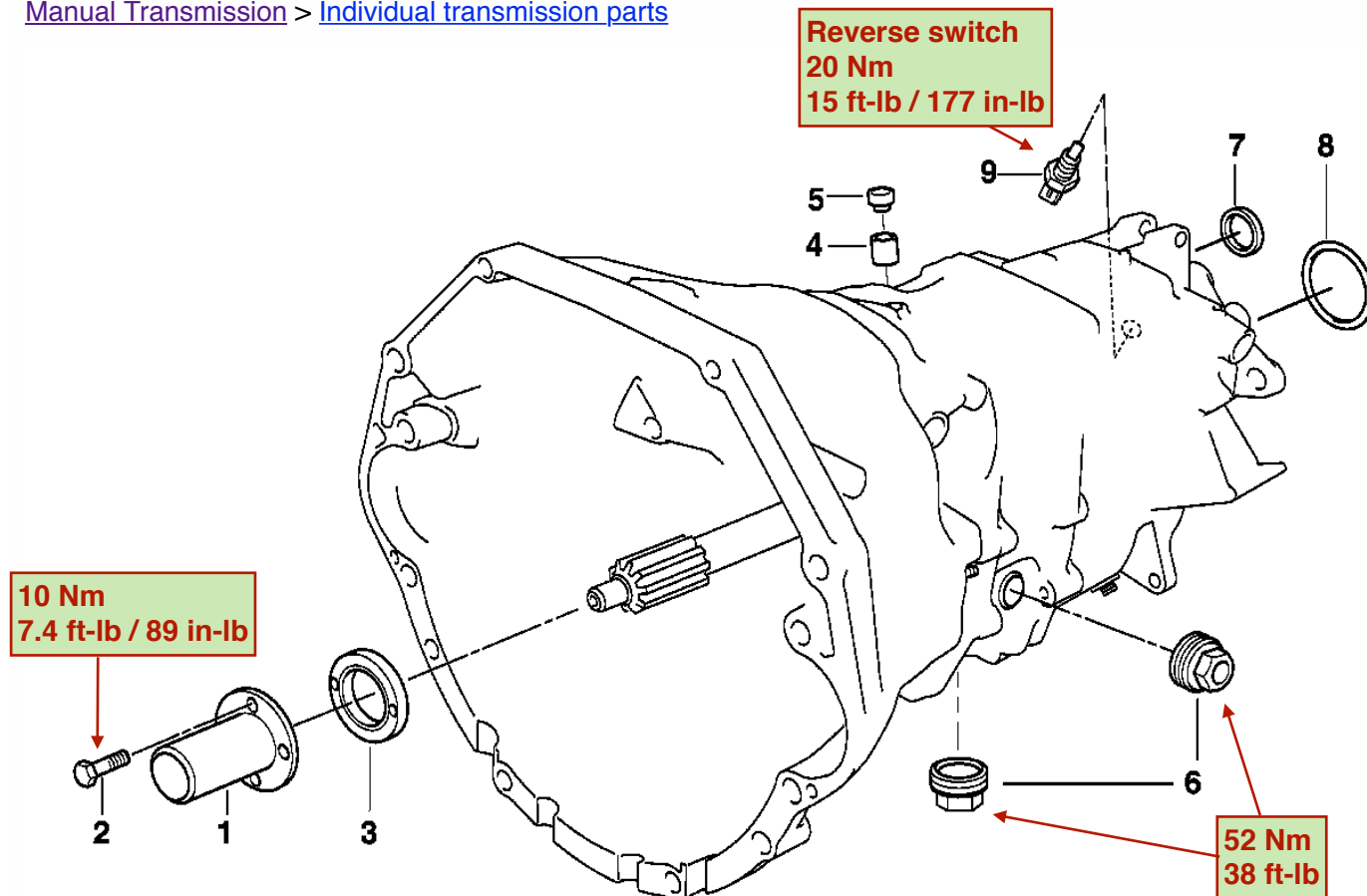


00156727

| No. | Description | Supp. | Qty | From | Up To | Part Number | Price | Notes |
|---|--------------------------------|---------------|-----|---------|---------|-----------------------------|-----------|-------|
| For vehicles with Sequential M transmission Drivelogic | | S793A=Yes | | | | | | |
| 01 | Actuator | | 1 | | | 23412229789 | \$2091.89 | |
| 02 | GEAR IDENTIFICATION SWITCH | | 1 | | | 23412229792 | \$396.67 | |
| 03 | Fillister-head screw | M5X25 | 2 | | | 07119919618 | \$0.36 | |
| 03 | Fillister-head screw | M5X25 | 2 | | | 07119919959 | \$0.60 | |
| 04 | Bracket, gear identification | | 1 | | | 23412282258 | \$6.77 | |
| 05 | Cable clamp | D=10MM | 1 | | | 61131354601 | \$0.42 | |
| 06 | Hexagon fit bolt | | 1 | | | 23412282259 | \$3.98 | |
| 07 | Self-locking collar nut | M8-10 ZNS3 | 1 | | | 07119905374 | | |
| 07 | Self-locking collar nut | M8-10 ZNS3 | 1 | | | 07119905374 | | |
| 08 | Hex bolt | M6X18 | 2 | | 12/2004 | 07119913019 | \$0.60 | |
| 08 | Torx screw, micro-encapsulated | M6X20 | 2 | 12/2004 | | 23317550924 | \$1.10 | |
| 09 | Gearshift rod joint | | 1 | | | 25112229793 | \$33.19 | |
| 10 | Crankshaft speed sensor | | 1 | | 04/2006 | 12142296184 | | |
| 10 | Crankshaft speed sensor | | 1 | | | 13627548994 | \$65.38 | |
| 11 | O-ring | 17X3 | 1 | | | 12141748398 | \$1.20 | |
| 12 | Fillister-head screw | M6X16ZNNIV SI | 1 | | | 13627545338 | \$0.47 | |

3' E46 M3 S6S420G HOUSING+ATTACHING PARTS

[Manual Transmission](#) > [Individual transmission parts](#)



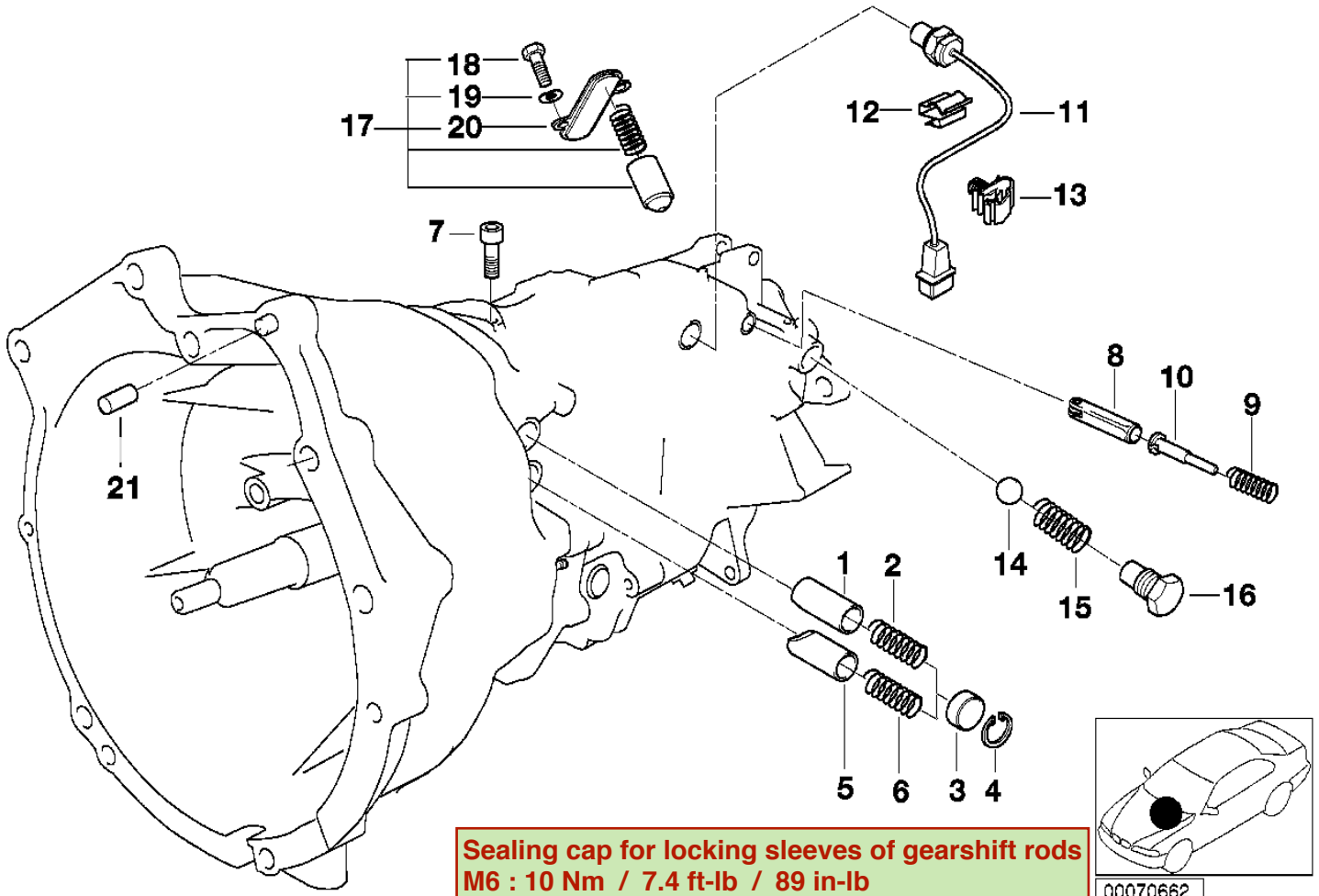
00003035



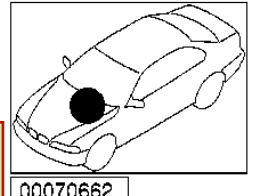
| No. | Description | Supp. | Qty | From | Up To | Part Number | Price | Notes |
|----------|---|-----------|-----|------|---------|-----------------------------|---------|-------|
| <i>i</i> | Transmission parts for complete-repair only on request. For this repair, there is no repair-instruction or special-tool. The repair should only be made by qualified personal, at best by BMW partner organization. BMW does not assume liability and damages caused through improper repair. | | | | | | | |
| 01 | Guide bush | | 1 | | | 23117512866 | \$53.42 | |
| 02 | Hex bolt | M6X18 | 4 | | | 23317545769 | \$0.67 | |
| 03 | Shaft seal | 35X52X7 | 1 | | | 23121228493 | | |
| 04 | Sleeve | | 1 | | | 23137545703 | \$2.58 | |
| 05 | Ventilation valve | | 1 | | | 23137507652 | \$1.82 | |
| 06 | Screw plug | M24X1,5 | 2 | | | 23117527440 | \$5.48 | |
| 07 | Shaft seal | 15X21X6,5 | 1 | | 09/2006 | 23127501580 | \$10.02 | ENDED |
| 07 | Shaft seal | 15X21X6,5 | 1 | | | 23127501582 | | |
| 08 | Shaft seal | 52X68X8 | 1 | | | 23121222769 | \$55.44 | |
| 09 | BACKUP LIGHT SWITCH | M12X1.5 | 1 | | | 23147524811 | \$11.00 | |

3' E46 M3 S6S420G INNER GEAR SHIFTING PARTS

[Manual Transmission](#) > [Individual transmission parts](#)



Sealing cap for locking sleeves of gearshift rods
M6 : 10 Nm / 7.4 ft-lb / 89 in-lb



00070662

Getrag 420G (D Type transmission)

General tightening information :

Hex screws M6 : 9 Nm / M8 : 25 Nm / M10 : 49 Nm / M12 : 74 Nm
 Torx bolts M6 : 9 Nm / M8 : 22 Nm / M10 : 43 Nm

Specific tightening information :

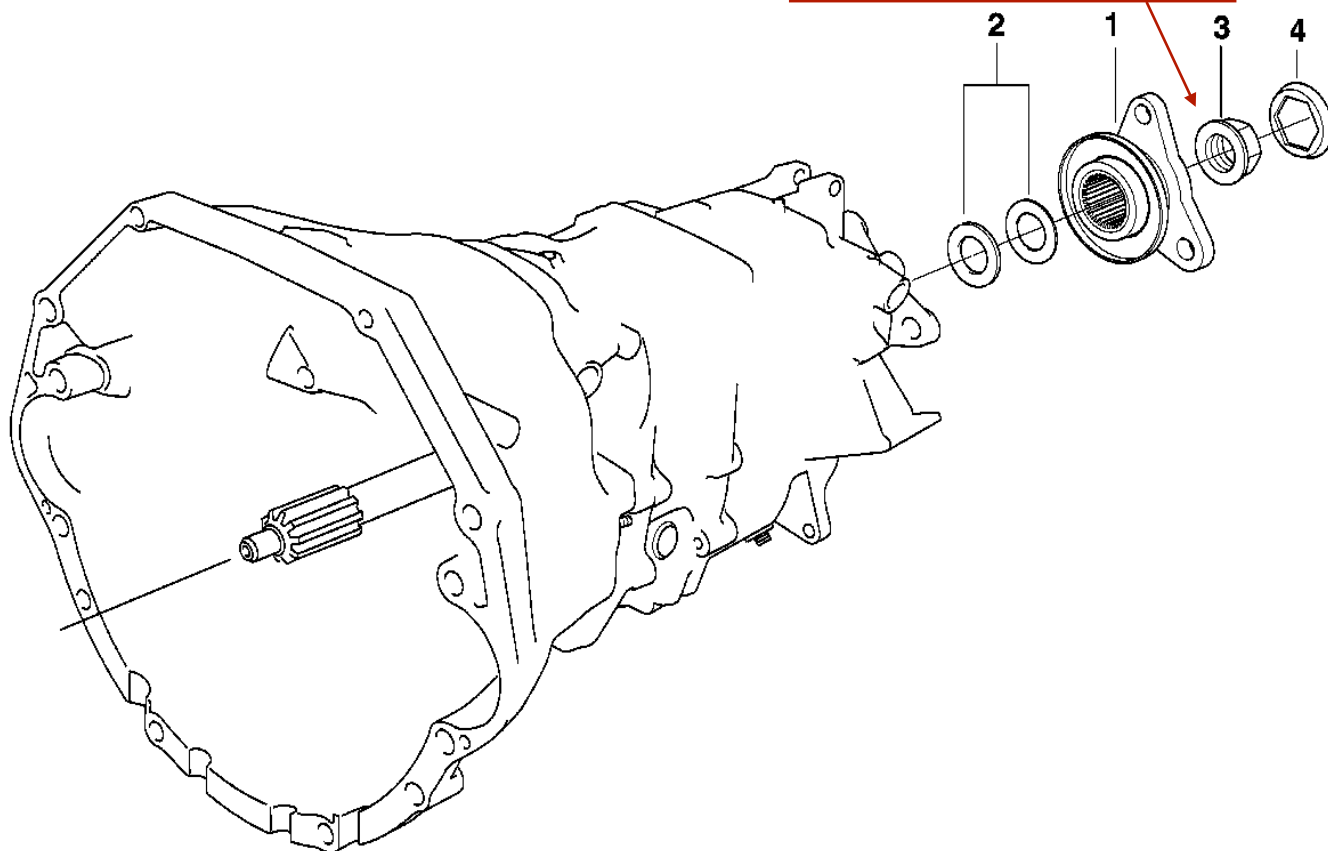
Transmission to clutch housing : M12 / 76 Nm / 56 ft-lb
 Reinforcement plate to transmission : M8 / 23 Nm
 Rear section to front section : 22 Nm
 Cover with guide tube / transmission case : M8x22 18 Nm / M8x30 25 Nm / M6 10 Nm
 Bearing cap / sealing flange : 10.5 Nm
 Reverse gear wheel axle to intermediate housing : 49 Nm
 Retaining plate for reverse gear wheel axle to intermediate housing : 25 Nm
 Transmission closing plate : M6 8 Nm
 Reverse gear shaft to case : M8 25 Nm / M10 45 Nm
 Screw plug to rear section housing : M20 60 Nm

| | | | | | | |
|----|----------------------------|--------|---|-----------------------------|---------|-------|
| 08 | Locking pin | | 1 | 23317501584 | \$20.83 | |
| 09 | Compression spring | D=1,40 | 1 | 23317511337 | \$2.80 | |
| 10 | THRUST PIN | | 1 | 23311282444 | \$11.49 | |
| 11 | GEAR IDENTIFICATION SWITCH | | 1 | 23142229113 | \$89.17 | +core |

3' E46 M3 S6S420G GEAR WHEEL SET PARTS

[Manual Transmission](#) > [Individual transmission parts](#)

**Pretension 190 Nm / 140 ft-lb
Release
Tighten down 120 Nm / 89 ft-lb
Install with bolt cement**



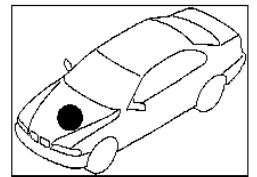
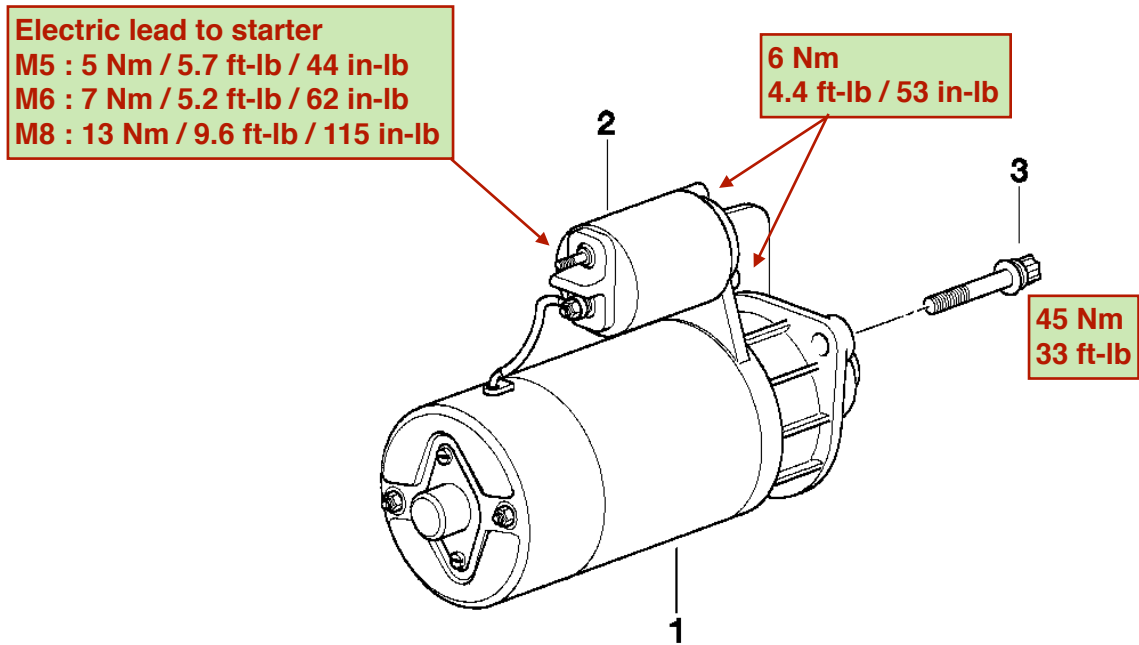
00003036

| No. | Description | Supp. | Qty | From | Up To | Part Number | Price | Notes |
|----------|---|-----------|-----|------|-------|-----------------------------|----------|-------|
| <i>i</i> | Transmission parts for complete-repair only on request. For this repair, there is no repair-instruction or special-tool. The repair should only be made by qualified personal, at best by BMW partner organization. BMW does not assume liability and damages caused through improper repair. | | | | | | | |
| 01 | Output flange | | 1 | | | 23211282442 | \$262.99 | +core |
| 02 | Shim | 24X37X1,4 | 2 | | | 23211222730 | \$6.05 | |
| 02 | Shim | 24X37X1,5 | 2 | | | 23211222731 | \$6.05 | |
| 02 | Shim | 24X37X1,6 | 2 | | | 23211222732 | \$6.05 | |
| 02 | Shim | 24X37X1,9 | 2 | | | 23211222733 | \$6.05 | |
| 02 | Shim | 24X37X2,0 | 2 | | | 23211222734 | \$6.05 | |
| 02 | Shim | 24X37X2,1 | 2 | | | 23211222735 | \$6.05 | |
| 02 | Shim | 24X37X1,8 | 2 | | | 23211222787 | \$6.05 | |
| 03 | Collar nut | | 1 | | | 23217501583 | \$32.59 | +core |

Notes

3' E46 M3 Starter

[Engine electrical system](#) > [Starter](#)



00071104

| No. | Description | Supp. | Qty | From | Up To | Part Number | Price | Notes |
|-----|--------------------|-----------------|-----|------|-------|-----------------------------|----------|-------|
| 01 | Rmfd-starter motor | | 1 | | | 12417835735 | \$283.02 | |
| 02 | SOLENOID SWITCH | | 1 | | | 12417832149 | \$103.45 | +core |
| 03 | Torx bolt | M10X65-8.8-ZNS3 | 2 | | | 07129904681 | \$1.64 | |
| 03 | Torx bolt | M10X65-8.8-ZNS3 | 2 | | | 07129904681 | \$1.64 | |

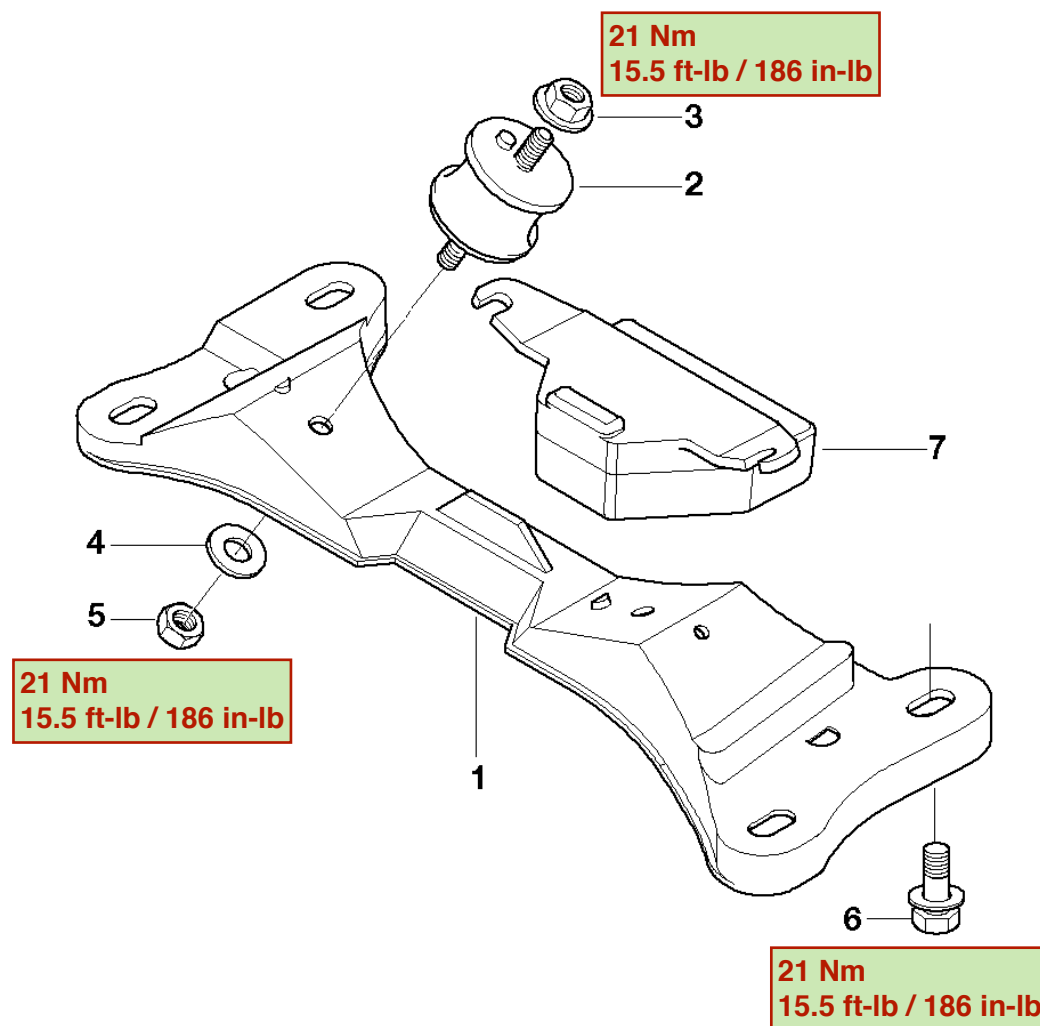
Notes

- +core = plus core charge (possibility of a return of the old part)

Copyright © RealOEM.com

3' E46 M3 GEARBOX MOUNTING

[Engine and Transmission Suspension](#) > [Gearbox suspension](#)



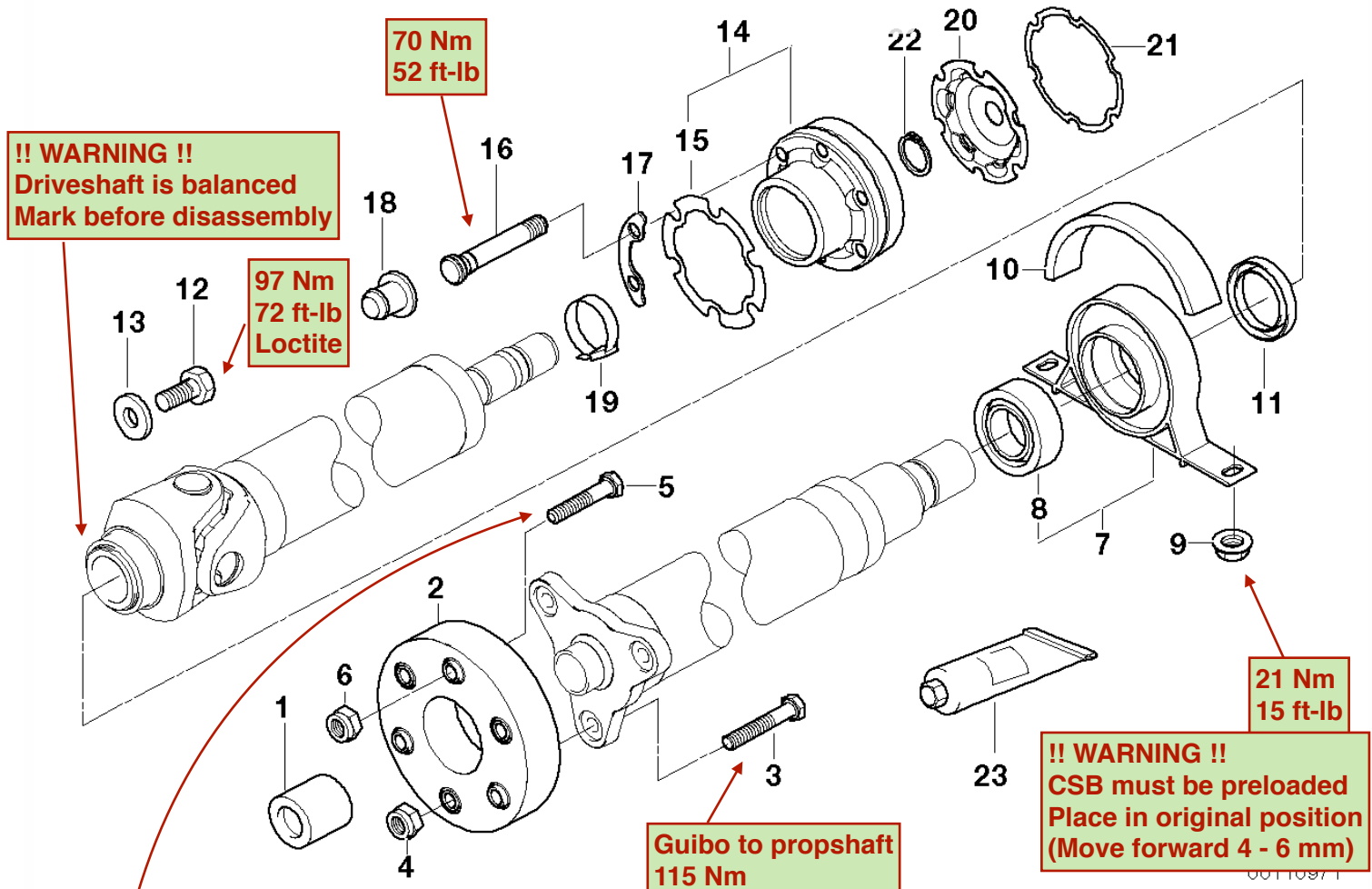
| No. | Description | Supp. | Qty | From | Up To | Part Number | Price | Notes |
|-----|--------------------------|----------------|-----|---------|---------|-----------------------------|----------|-------|
| 01 | Gearbox support | | 1 | | | 22312229198 | \$37.21 | |
| 02 | Transmission bearing set | | 2 | | | 22322282340 | \$17.27 | |
| 03 | Hex nut with plate | M8 | 2 | | | 22316760944 | \$0.38 | |
| 04 | Washer | A8,4 | 2 | | 01/2004 | 07119900052 | \$0.11 | ENDED |
| 04 | Washer | D=8 | 2 | | 01/2004 | 07119907030 | \$0.11 | ENDED |
| 05 | Hex nut | M8-8-ZNNIV SI | 2 | | 01/2004 | 07119905515 | \$0.16 | |
| 05 | Hex nut | AM8-8-ZNS3 | 2 | 01/2004 | 01/2005 | 07129904011 | \$0.62 | ENDED |
| 05 | Hex nut with plate | M8-ZNS3 | 2 | 01/2004 | | 07129904862 | \$1.12 | |
| 06 | Hex bolt with washer | M8X22-8.8-ZNS3 | 4 | | | 22326760945 | \$1.08 | |
| 07 | Vibration absorber | | 1 | | | 23002282310 | \$232.71 | |

Notes

- ENDED = the part has been discontinued (no longer available).

3' E46 M3 DRIVE SHAFT-CEN.BEARING-CONST.VEL.JOINT

[Drive Shaft](#) > [Drive shaft, single components](#)



Guibo to transmission output flange :
115 Nm
85 ft-lb
Tighten the bolt / not the nut to avoid guibo preload

Guibo to propshaft
115 Nm
85 ft-lb

!! WARNING !!
CSB must be preloaded
Place in original position
(Move forward 4 - 6 mm)

| | | Supp. | Qty | From | Up To | Part Number | Price | Notes |
|----|-------------------------|-----------------|-----|---------|---------|-----------------------------|----------|-------|
| | | | 1 | | | 26117526611 | \$11.32 | |
| | | | 1 | | | 26112226527 | \$110.44 | |
| 03 | Hex bolt | M12X1,5X62-ZNS3 | 3 | | 01/2013 | 26112283795 | \$3.34 | ENDED |
| 03 | Hex bolt | M12X1.5X62 ZNS3 | 3 | | | 26117635643 | | |
| 04 | SELF-LOCKING HEX NUT | M12X1,5-10-PHR | 3 | | 12/2004 | 07129900047 | \$0.62 | |
| 04 | SELF-LOCKING HEX NUT | M12X1,5-10-ZNS3 | 3 | 12/2004 | | 26127536563 | \$1.00 | |
| 05 | Hex bolt | M12X1,5X62-ZNS3 | 3 | | 01/2013 | 26112283795 | \$3.34 | ENDED |
| 05 | Hex bolt | M12X1.5X62 ZNS3 | 3 | | | 26117635643 | | |
| 06 | SELF-LOCKING HEX NUT | M12X1,5-10-PHR | 3 | | 12/2004 | 07129900047 | \$0.62 | |
| 06 | SELF-LOCKING HEX NUT | M12X1,5-10-ZNS3 | 3 | 12/2004 | | 26127536563 | \$1.00 | |
| 07 | Center Mount, aluminium | | 1 | | | 26122282495 | \$79.46 | |
| 08 | Grooved ball bearing | D=55/D=30 | 1 | | | 26121225071 | \$26.16 | |
| 09 | Flange nut with washer | M8-8-ZNS3 | 2 | | | 26117574872 | \$0.80 | |
| 11 | INTERMEDIATE RING | D=30X36X1,0- | 1 | | | 26117514120 | \$2.18 | |

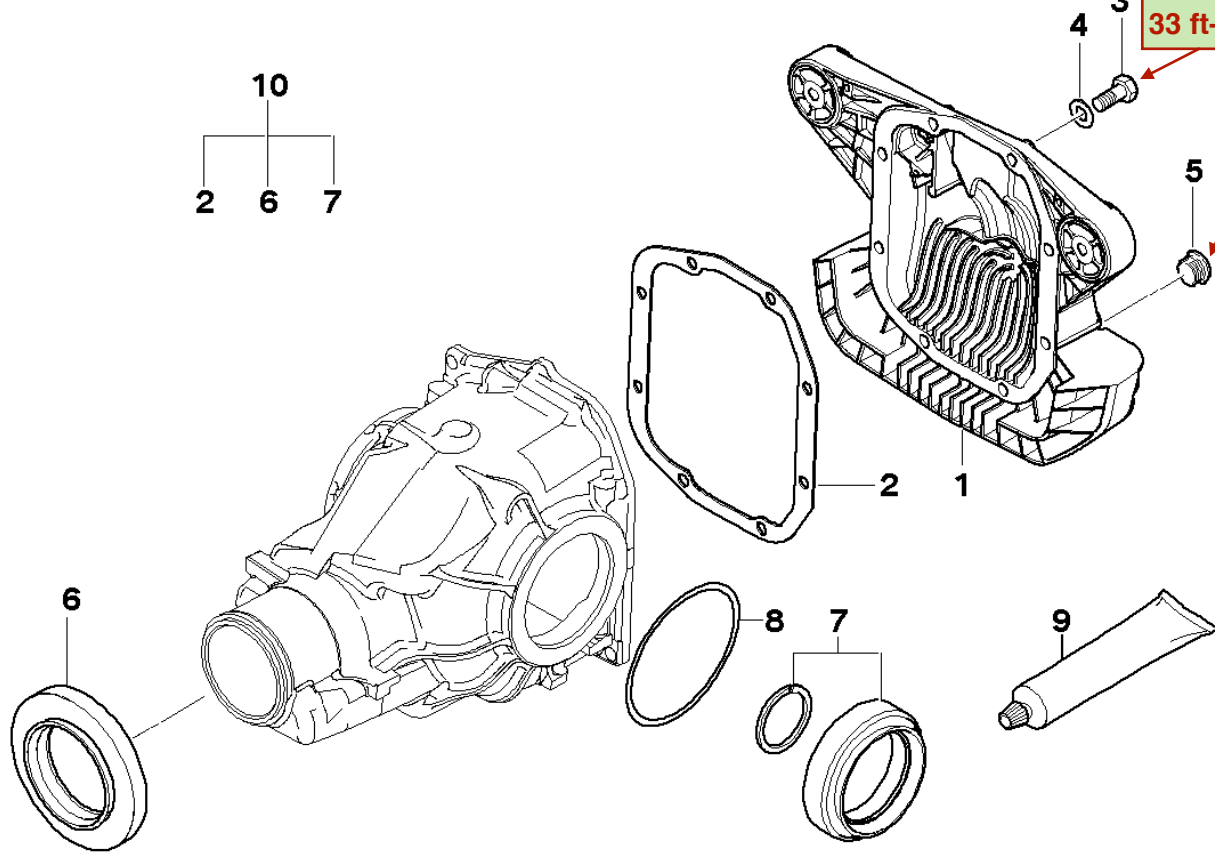
3' E46 M3 Final drive, gasket set

[Rear Axle](#) > [Rear-axle-drive parts](#)

Differential drain and fill plug with o-ring 44 ft-lbs 60 Nm
Differential drain and fill plug with sealing washer 48 ft-lbs 65 Nm

Differential type : 210N

**45 Nm
33 ft-lb**



| No. | Description | Supp. | Qty | From | Up To | Part Number | Price | Notes |
|-----|-----------------------------|-----------------|-----|------|-------|-----------------------------|----------|-------|
| | Note Repair Manual | | | | | | | |
| 01 | Transmission cover | TYP 210 | 1 | | | 33112282482 | \$161.59 | +core |
| 02 | Gasket Asbestos Free | TYP 215 | 1 | | | 33108305033 | \$2.87 | |
| 03 | Hex bolt | M10X50-ZNNIV SI | 2 | | | 07119905641 | \$1.16 | |
| 03 | Hex bolt with washer | M10X70 | 2 | | | 07119905818 | \$1.78 | |
| 03 | Hexagon screw with flange | M10X35-10.9ZNS3 | 2 | | | 31106772199 | \$1.61 | |
| 03 | Hex bolt with washer | M10X75-10.9ZNS3 | 2 | | | 33506771928 | \$2.20 | |
| 05 | Screw plug with O-ring | M22X1,5-ZNS3 | 2 | | | 33117525064 | \$3.91 | |
| 06 | Shaft seal | 50X80X9 | 1 | | | 33121213949 | \$40.15 | |
| 07 | Shaft seal with lock ring | 76X50X10 | 2 | | | 33107510289 | \$25.95 | |
| 08 | O-ring | D=90MM/3MM | 2 | | | 33111214144 | \$2.16 | |
| 09 | Loctite 5970 liquid sealant | 50ML | 1 | | | 83190404517 | \$23.40 | |
| 10 | GASKET SET DIFFERENTIAL | TYP 210 | 1 | | | 33102229707 | \$65.93 | ENDED |

Notes

- +core = plus core charge (possibility of a return of the old part)
- ENDED = the part has been discontinued (no longer available).

3' E46 M3 DIFFERENTIAL-DRIVE/OUTPUT

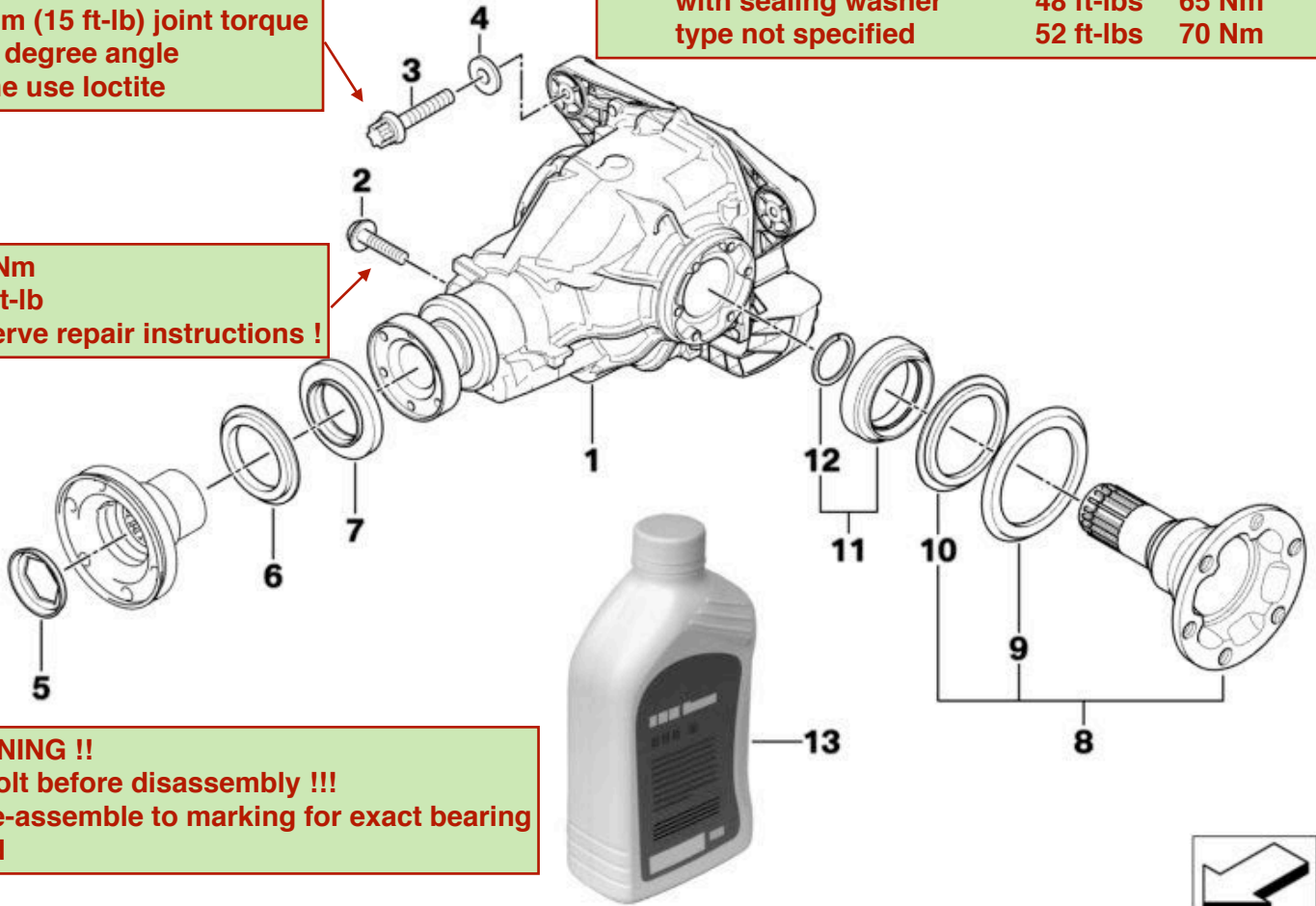
[Rear Axle](#) > [Rear-axle-drive](#)

Rear diff bolt
 20 Nm (15 ft-lb) joint torque
 + 90 degree angle
 Some use loctite

200 Nm
 148 ft-lb
 Observe repair instructions !

Differential drain and fill plug

| | | |
|---------------------|-----------|-------|
| with o-ring | 44 ft-lbs | 60 Nm |
| with sealing washer | 48 ft-lbs | 65 Nm |
| type not specified | 52 ft-lbs | 70 Nm |

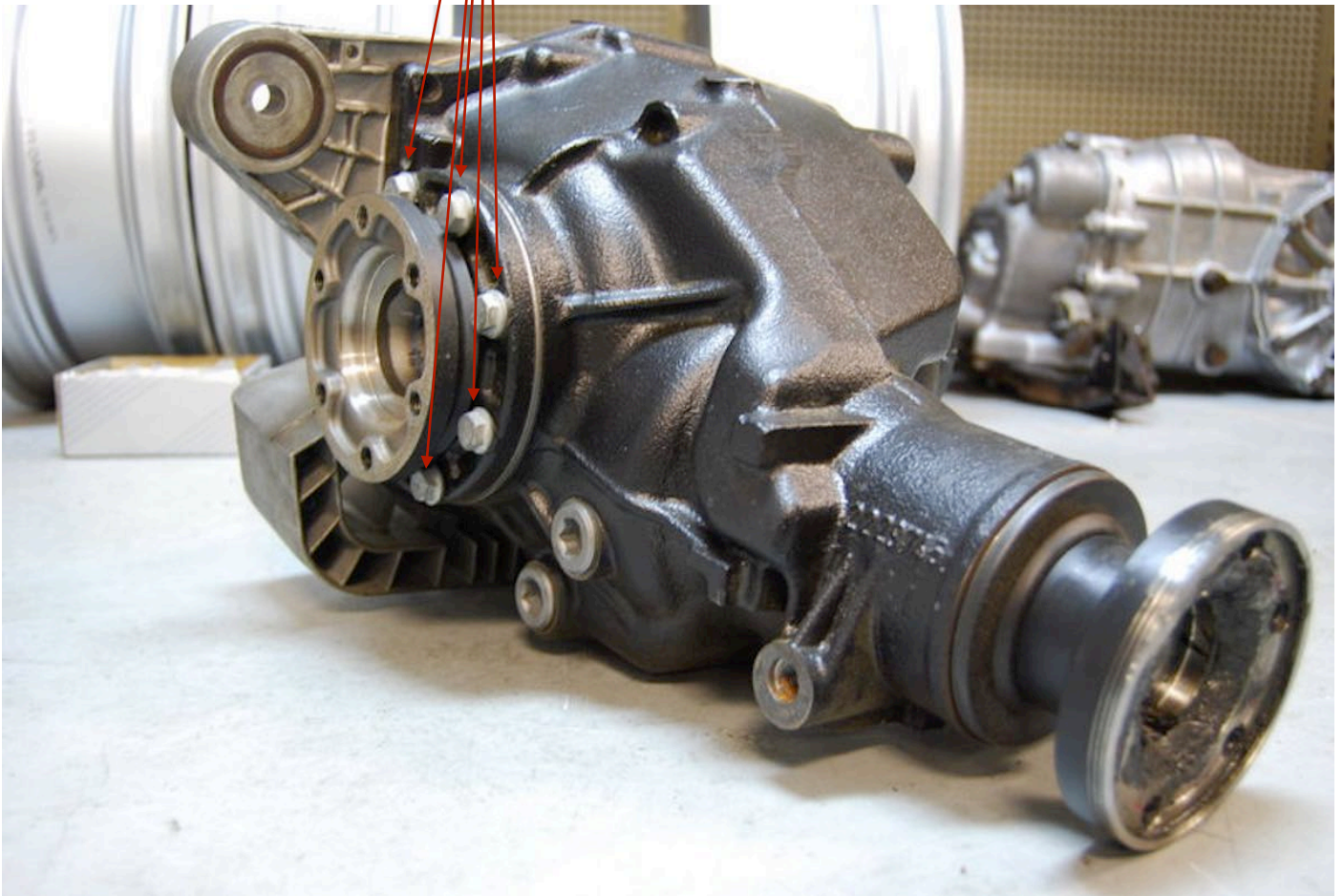


!! WARNING !!
 Mark bolt before disassembly !!!
 Then re-assemble to marking for exact bearing preload



| No. | Description | Supp. | Qty | From | Up To | Part Number | Price | Notes | |
|-----|---|-----------------|-----|------|---------|-----------------------------|-----------|---------------------------|--|
| 01 | Rmfd final drive with differential | I=3,62 | 1 | | 02/2002 | 33102282481 | \$2568.98 | ENDED, SI 330102 (850) | |
| 01 | Final drive with differential | I=3,62 | 1 | | | 33102282480 | \$3638.16 | | |
| 02 | Hex bolt with washer | M14X1,5X65-10.9 | 1 | | | 33177840535 | \$5.10 | | |
| 03 | Torx bolt | M12X50-8.8-ZNS3 | 2 | | | 23001222891 | \$1.32 | | |
| 04 | Washer | A13 | 2 | | 01/1998 | 07119931021 | \$0.58 | ENDED | |
| 04 | Washer | A13/HV-ZNS | 2 | | | 07119901766 | \$0.30 | | |
| 05 | Securing plate | | 1 | | | 33121205138 | \$1.33 | | |
| | Important! Drive flange and nut must not be replaced. | | | | | | | | |
| 06 | Dustcover plate | | 1 | | | 33137600693 | | | |
| 07 | Shaft seal | 50X80X9 | 1 | | | 33121213949 | \$40.15 | | |
| 08 | Drive flange, output, left only in conjunction with | | 1 | | | 33137840563 | \$138.72 | | |
| 08 | Drive flange, output, right only in conjunction with | | 1 | | | 33137840564 | \$125.51 | | |

Axle Cap Bolts (8 bolts per side)
13.5 Nm (10 ft-lb)
+ 40 degrees angle torque (with Loctite 242/243)



Backlash
TIS : 0.06 - 0.14 mm / 0.0024 - 0.0055 in
Metric mechanic : 0.076 - 0.089 mm / 0.003 - 0.0035 in

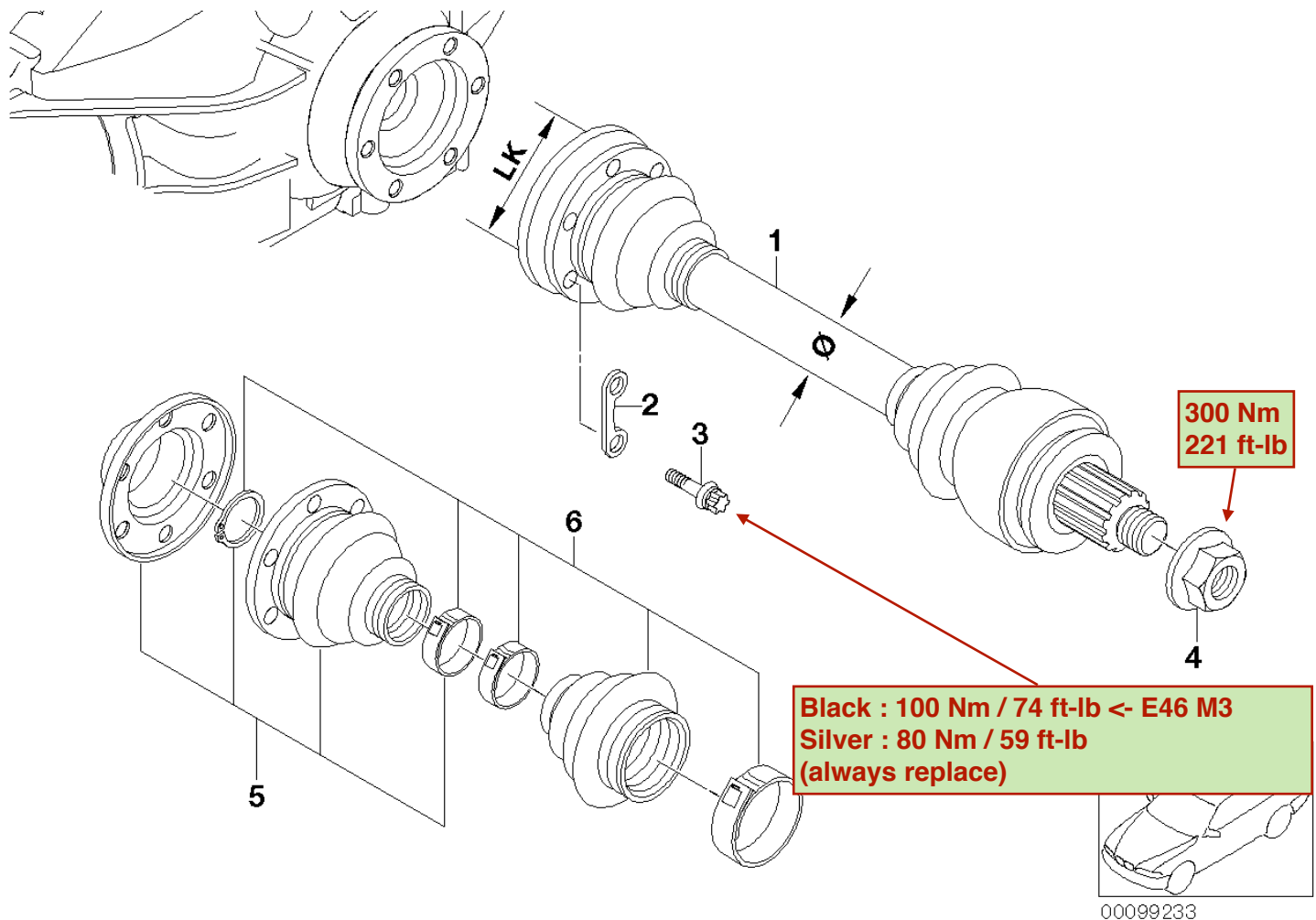
Pinion preload
Metric mechanic : 1.58 - 1.81 Nm / 14 - 16 in lbs
TIS : 1.36 - 2.60 Nm / 12 - 23 in lbs (Timken bearings)
Measure with pinion seal off

Carrier preload
Metric mechanic : 1.02 - 1.24 Nm / 9 - 11 in lbs
TIS : 1.24 - 2.60 Nm / 11 - 23 in lbs

Ring gear installing temperature 80 - 100 °C
Max. input flange radial runout max. 0.07 mm
Approx. shaft seal friction torque approx. 0.20 Nm

3' E46 M3 Output shaft

[Rear Axle](#) > [Output shaft](#)



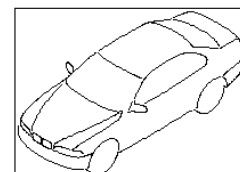
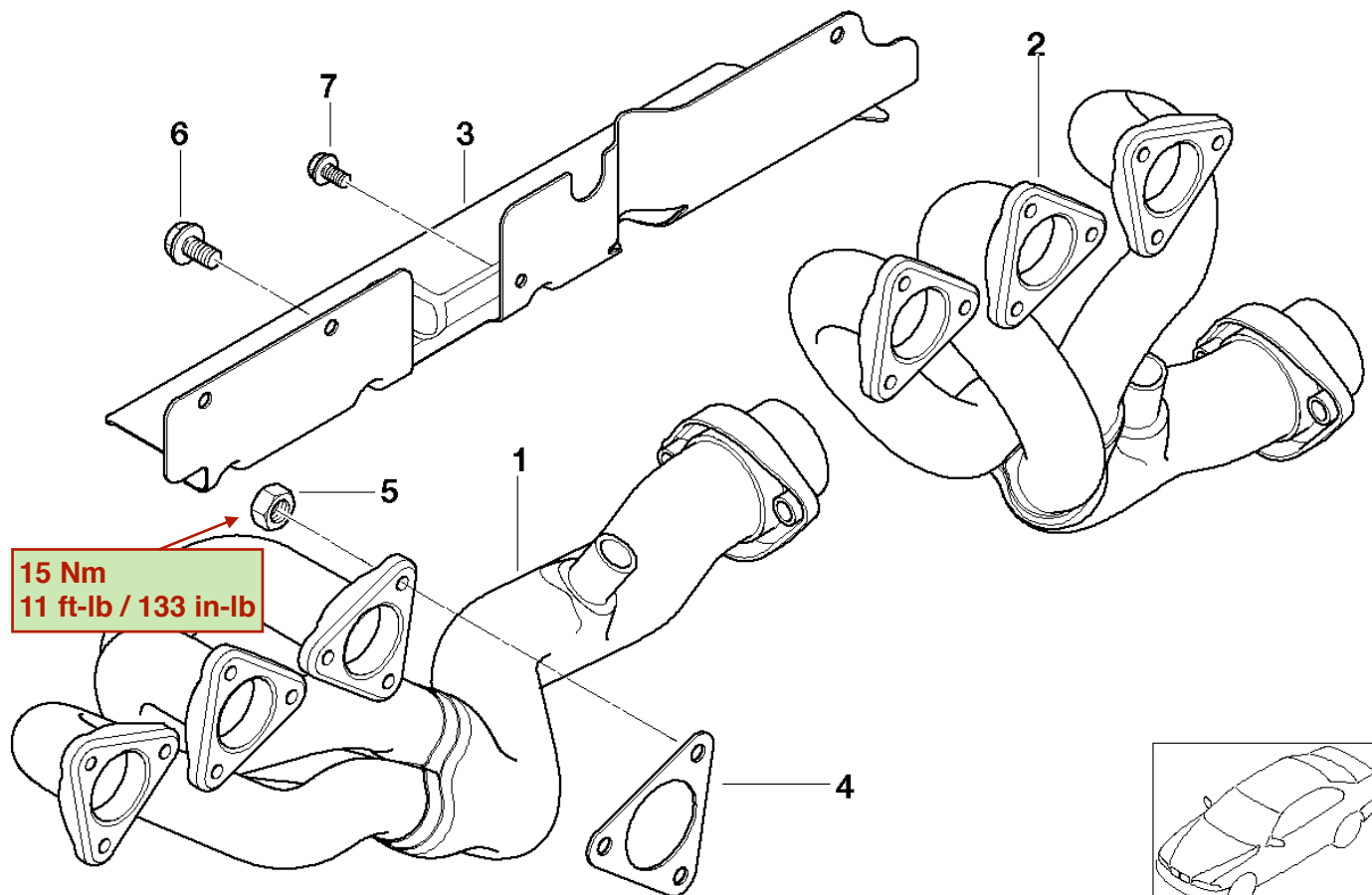
Black : 100 Nm / 74 ft-lb <- E46 M3
Silver : 80 Nm / 59 ft-lb
(always replace)

| No. | Description | Supp. | Qty | From | Up To | Part Number | Price | Notes |
|-----|------------------------------|----------------|-----|------|-------|-----------------------------|----------|-------|
| 01 | Rmfd-output shaft, left | LK=94MM/D=38MM | 1 | | | 33207839467 | \$463.75 | |
| 01 | Rmfd-output shaft, right | LK=94MM/D=38MM | 1 | | | 33207839468 | \$463.75 | |
| 02 | Reinforcement | D=10MM/ZN | 6 | | | 33211209543 | \$1.48 | |
| 03 | Torx screw with ribs | M10X46 | 12 | | | 33211227664 | \$1.34 | |
| 04 | Collar nut | M27X1,5 | 2 | | | 33411133785 | \$10.86 | |
| 05 | Repair kit bellows, interior | | 2 | | | 33217840673 | \$85.17 | |
| 06 | Repair kit bellows, exterior | | 2 | | | 33217840674 | \$69.10 | |

Copyright © RealOEM.com

3' E46 M3 Exhaust manifold

[Engine](#) > [Exhaust manifold](#)

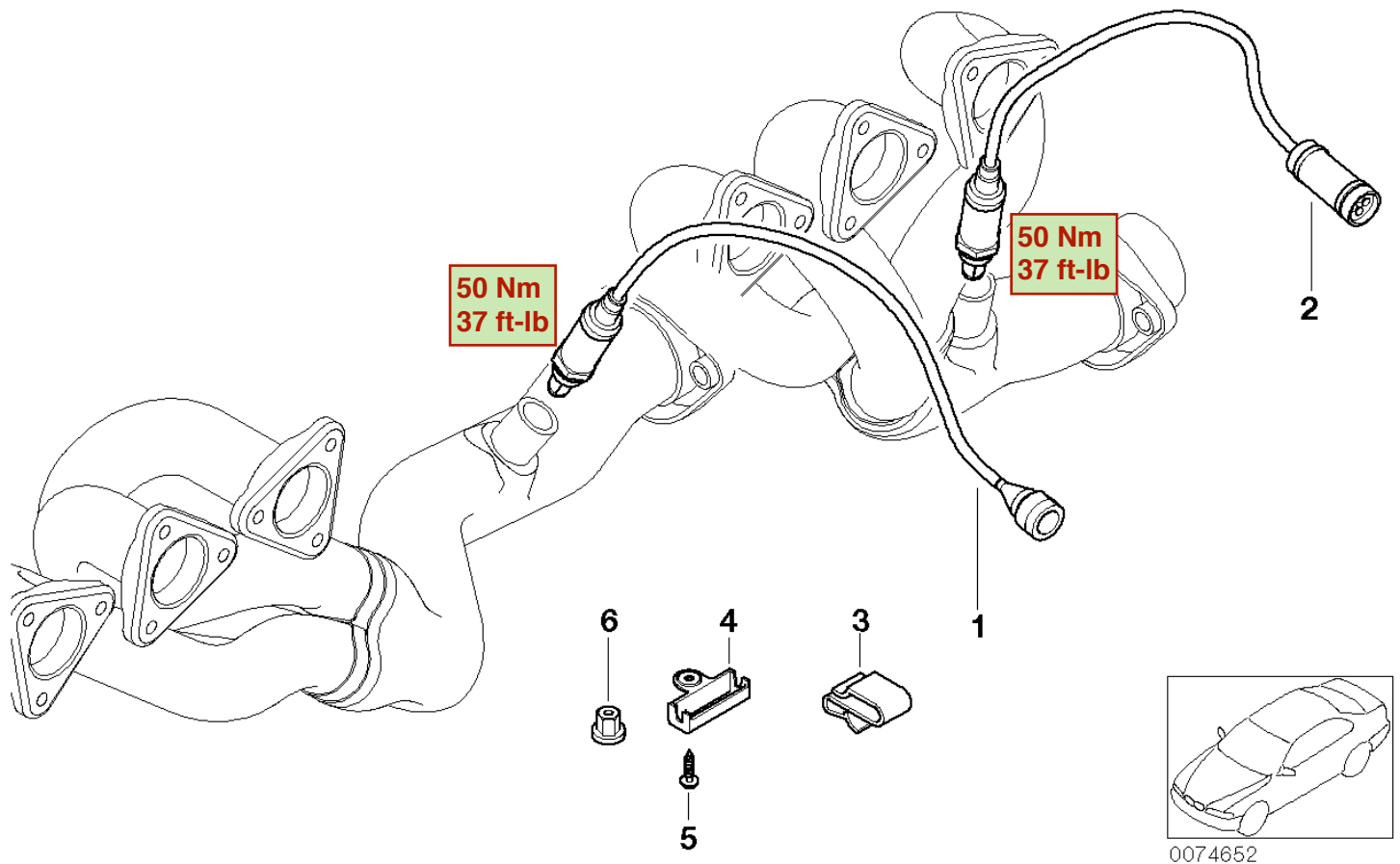


00083454

| No. | Description | Supp. | Qty | From | Up To | Part Number | Price | Notes |
|-----|---|----------------|-----|---------|---------|-----------------------------|-----------|-------|
| 01 | Exhaust manifold, front | ZYL.1-3 | 1 | | | 11627830658 | \$1125.61 | |
| 01 | Exhaust manifold, front | ZYL.1-3 | 1 | | 03/2005 | 11627830658 | \$1125.61 | |
| 01 | Exhaust manifold, front | ZYL.1-3 | 1 | 03/2005 | | 11627833500 | \$1125.61 | |
| 02 | Exhaust manifold, rear | ZYL.4-6 | 1 | | | 11627830659 | \$1125.61 | |
| 02 | Exhaust manifold, rear | ZYL.4-6 | 1 | | 03/2005 | 11627830659 | \$1125.61 | |
| 02 | Exhaust manifold, rear | ZYL.4-6 | 1 | 03/2005 | | 11627833501 | \$1125.61 | |
| 03 | Protective COVER | | 1 | | | 11627831352 | \$54.19 | |
| 04 | Gasket Asbestos Free Required for repair | | 6 | | | 11627830667 | \$8.54 | |
| -- | Hex nut | | 18 | | | 11721437202 | \$0.72 | |
| 05 | Hex nut | | 18 | | | 11721437202 | \$0.72 | |
| 06 | Hex bolt with washer | M8X14 ZNNIV SI | 3 | | | 07119905527 | \$0.47 | |
| 07 | Hex bolt with washer | M6X14-U1-8.8 | 1 | | | 07119905525 | \$0.47 | |

3' E46 M3 Lambda Probe Fixings

[Engine](#) > [Exhaust manifold](#)

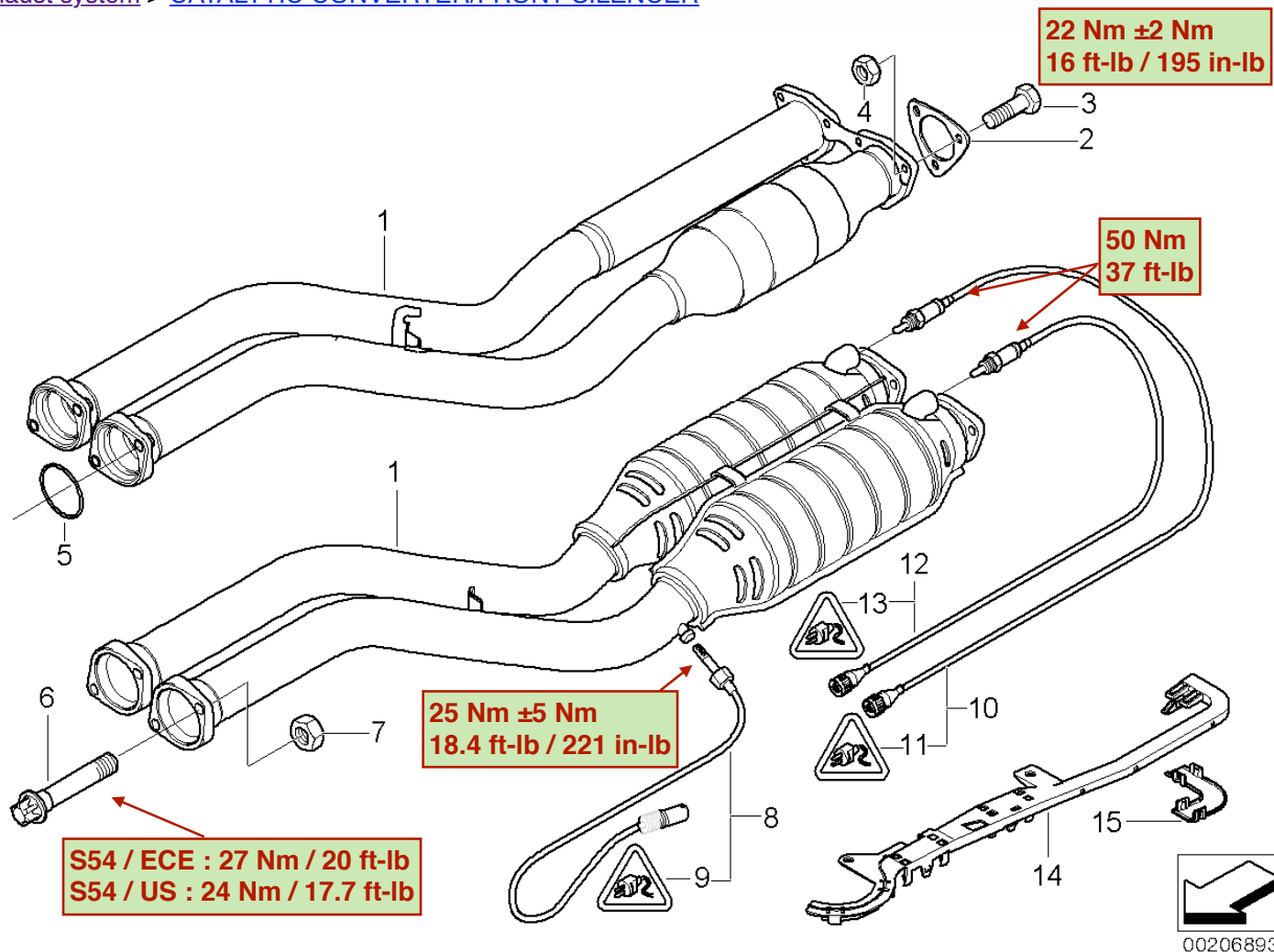


| No. | Description | Supp. | Qty | From | Up To | Part Number | Price | Notes |
|-----|----------------|---------------|-----|------|-------|-----------------------------|----------|-------|
| 01 | Oxygen sensor | L=840MM | 1 | | | 11781743994 | \$215.65 | |
| 02 | Oxygen sensor | BOSCH/L=935MM | 1 | | | 11781406622 | \$215.65 | |
| 03 | Clip | | 3 | | | 12521437136 | \$0.63 | |
| 04 | Cable holder | | 1 | | | 61138353711 | \$2.93 | |
| 05 | Hex head screw | ST6,3X16-C-Z2 | 2 | | | 07119916966 | \$0.27 | |
| 06 | Plastic nut | M6 | 1 | | | 16131176747 | \$0.53 | |

Copyright © RealOEM.com

3' E46 M3 CATALYTIC CONVERTER/FRONT SILENCER

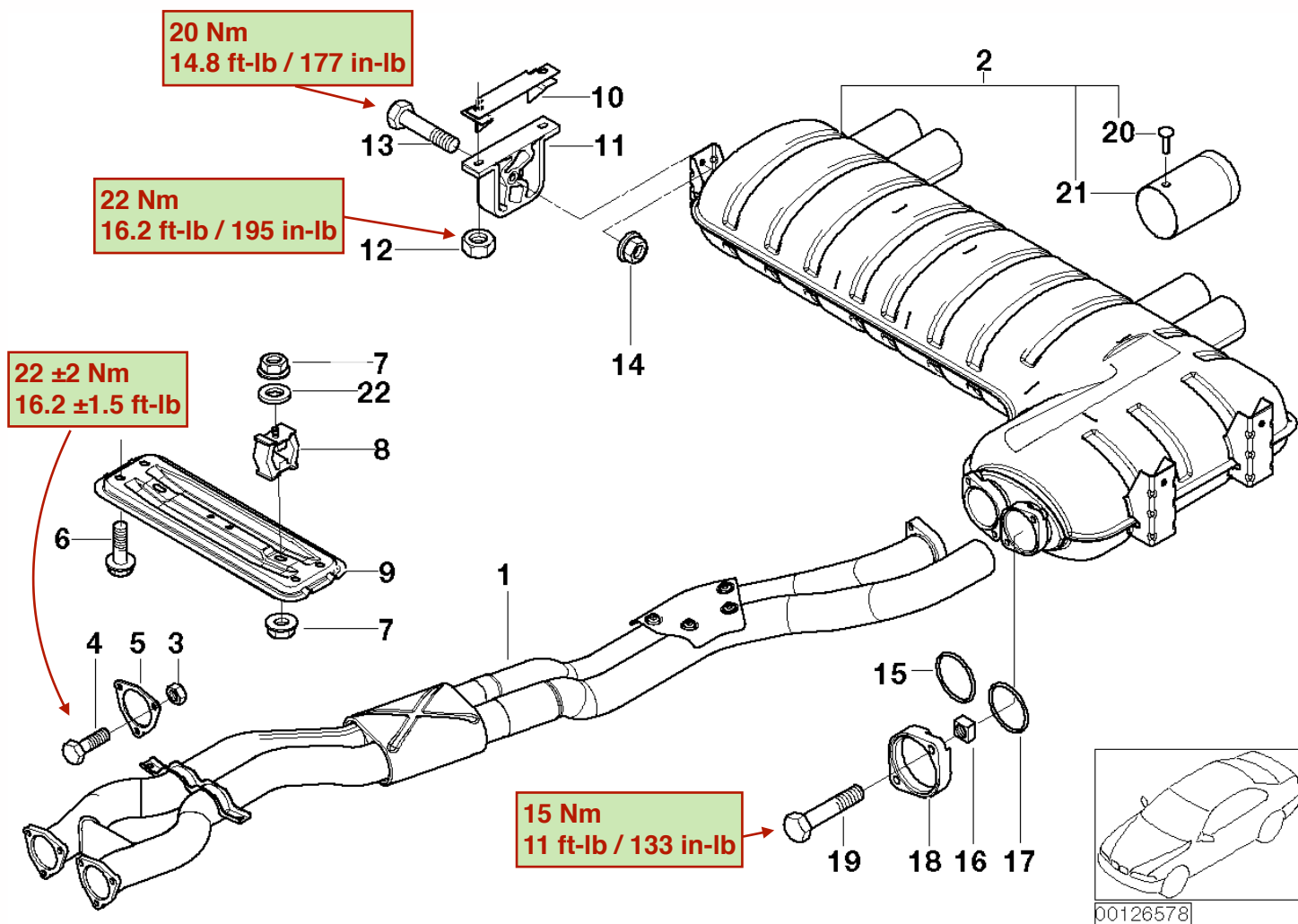
[Exhaust system](#) > [CATALYTIC CONVERTER/FRONT SILENCER](#)



| No. | Description | Supp. | Qty | From | Up To | Part Number | Price | Notes | |
|-----|-------------------------------------|----------------|-----|---------|---------|-----------------------------|-----------|-------|--|
| 01 | RP-exhaust pipe catalytic converter | | 1 | | 03/2005 | 18307832488 | \$2755.76 | | |
| 01 | RP-exhaust pipe catalytic converter | | 1 | 03/2005 | | 18307836508 | | | |
| 02 | Flat gasket Required for repair | | 2 | | | 18307830674 | \$11.93 | | |
| -- | Hex nut | M8 SW12 | 6 | | | 11621744323 | \$0.85 | | |
| -- | Hex bolt | M8X30-8.8-ZNS3 | 6 | | | 07119902901 | \$0.25 | | |
| 03 | Hex bolt | M8X30-8.8-ZNS3 | 6 | | | 07119902901 | \$0.25 | | |
| 04 | Hex nut | M8 SW12 | 6 | | | 11621744323 | \$0.85 | | |
| 05 | Gasket ring Required for repair | | 2 | | | 11627830668 | \$11.81 | | |
| -- | Hex nut | M10 | 4 | | | 18301317898 | \$4.70 | | |
| -- | Torx bolt | M10X45 | 4 | | | 11621318568 | \$4.30 | | |
| 06 | Torx bolt | M10X45 | 4 | | | 11621318568 | \$4.30 | | |
| 07 | Hex nut | M10 | 4 | | | 18301317898 | \$4.70 | | |
| 08 | Temperature sensor, exhaust | | 1 | | | 11787831624 | \$211.98 | +core | |
| 10 | Oxygen sensor | BOSCH/L=750MM | 1 | | | 11781405324 | \$215.65 | | |
| | ONLY APPLIES TO OXYGEN SENSOR | | | | | | | | |

3' E46 M3 Intermediate pipe/rear muffler

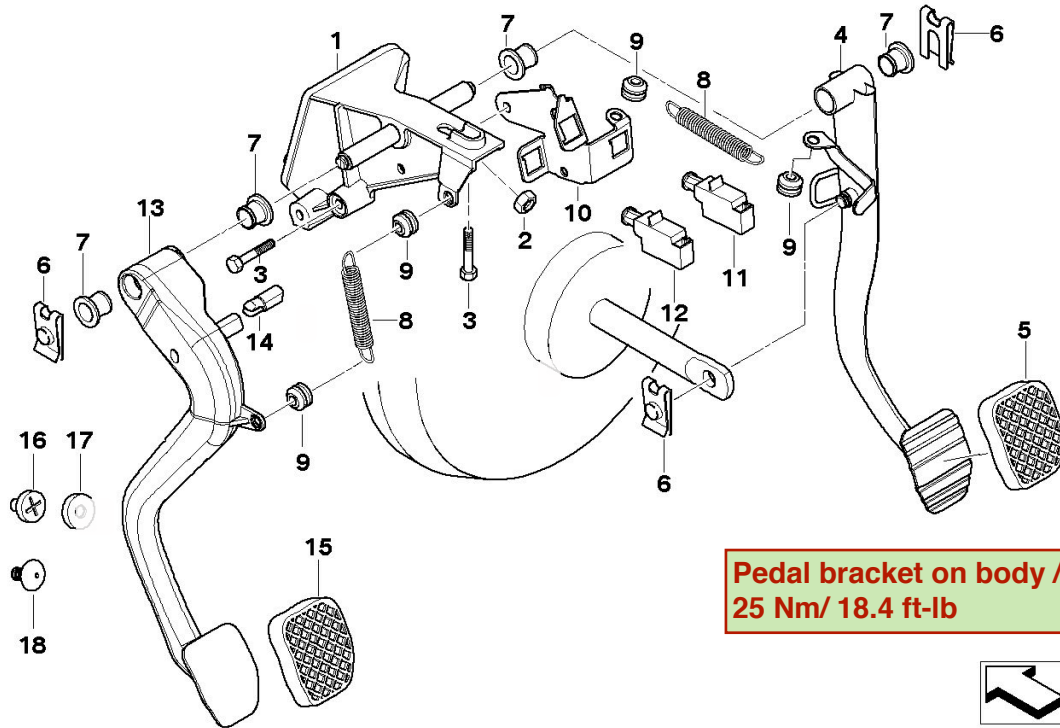
[Exhaust system](#) > [Exhaust system, rear](#)



| No. | Description | Supp. | Qty | From | Up To | Part Number | Price | Notes |
|-----|-------------------------|----------------|-----|------|-------|-----------------------------|-----------|-------|
| 01 | Intermediate pipe | | 1 | | | 18107832313 | \$905.93 | |
| 02 | Rear muffler | | 1 | | | 18107831783 | \$1205.48 | |
| 03 | Hex nut | M8 SW12 | 6 | | | 11621744323 | \$0.85 | |
| 04 | Hex bolt | M8X30-8.8-ZNS3 | 6 | | | 07119902901 | \$0.25 | |
| 05 | Flat gasket | | 2 | | | 18307830674 | \$11.93 | |
| | Required for repair | | | | | | | |
| -- | Hex nut | M8 SW12 | 6 | | | 11621744323 | \$0.85 | |
| -- | Hex bolt | M8X30-8.8-ZNS3 | 6 | | | 07119902901 | \$0.25 | |
| 06 | Hex bolt with washer | M8X18-U1-8.8 | 4 | | | 07119905529 | \$0.96 | |
| 07 | Flange nut | M8 | 4 | | | 07143413174 | \$0.36 | |
| 08 | Rubber Mounting | | 2 | | | 18207832991 | \$21.41 | |
| 09 | CONNECTING SUPPORT | | 1 | | | 18211436309 | \$11.66 | |
| 10 | SUPPORT RUBBER MOUNTING | | 3 | | | 18207839657 | \$11.42 | |
| 11 | Rubber Mounting | | 3 | | | 18201401797 | \$54.00 | |
| 12 | Hex nut wiht flange | M8 | 6 | | | 18307620549 | | |
| 13 | Hex bolt | M8X45-8.8-ZNS3 | 3 | | | 07119902955 | \$0.62 | |
| 14 | Collar nut | M8 | 3 | | | 07119927022 | \$0.20 | |
| 15 | Gasket ring | | 1 | | | 18111723379 | \$8.37 | |

3' E46 M3 PEDALS/STOP LIGHT SWITCH

[Pedals](#) > [Pedals](#)



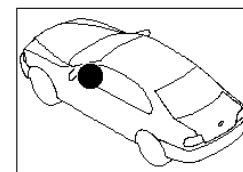
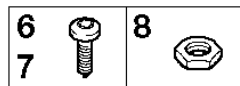
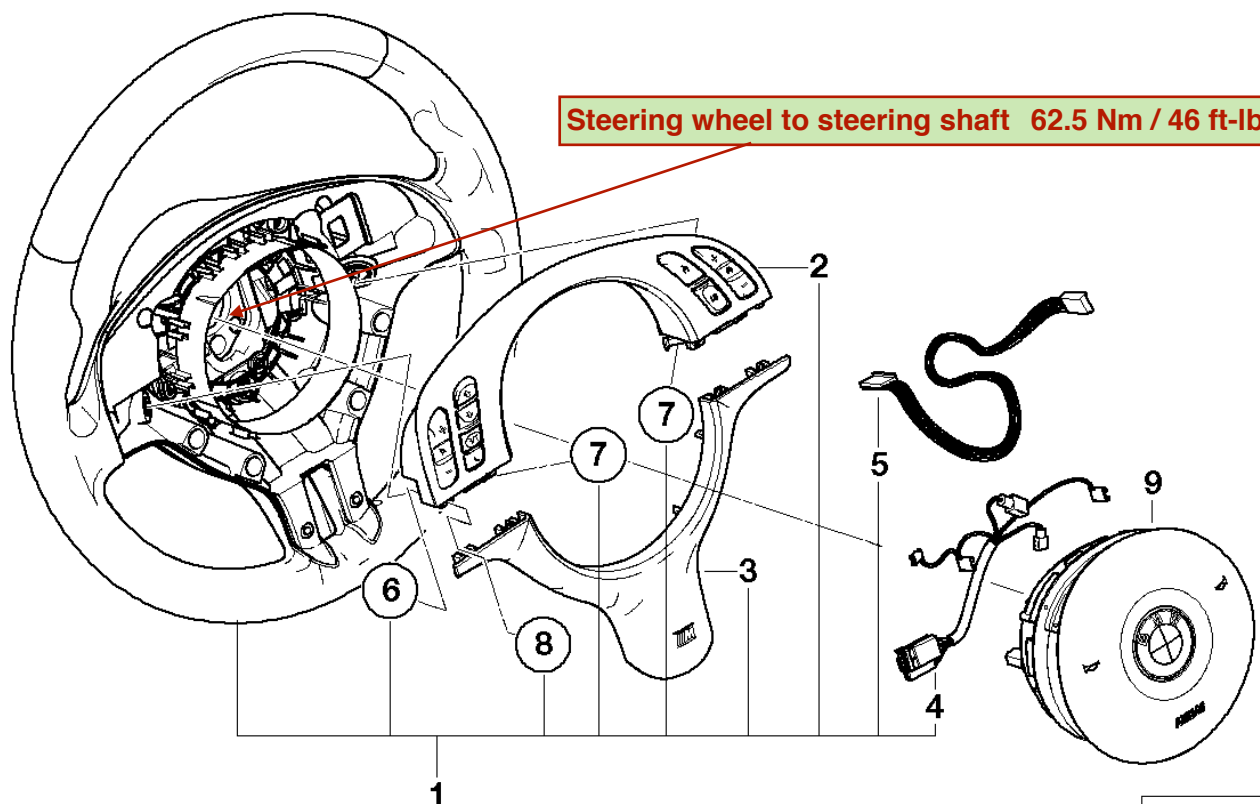
**Pedal bracket on body / brake booster
25 Nm/ 18.4 ft-lb**



| No. | Description | Supp. | Qty | From | Up To | Part Number | Price | Notes |
|-----|---|---------------|-----|---------|-------|-----------------------------|---------|-------------------|
| 01 | Supporting bracket, foot controls | LSC | 1 | | | 35112229128 | \$43.00 | SI 410203(010) |
| 02 | Self-locking collar nut | M8-10 ZNS3 | 3 | | | 07119905374 | | |
| 04 | Brake pedal | | 1 | | | 35206752649 | \$31.48 | |
| | For vehicles with Sequential M transmission Drivelogic | S793A=Yes | | | | | | |
| 04 | Brake pedal | | 1 | | | 35206752649 | \$31.48 | |
| 05 | Rubber pad | | 1 | | | 35211160422 | \$4.47 | |
| 06 | Circlip | B10-ZNS3 | 3 | 04/2007 | | 07129904567 | \$0.40 | |
| 07 | Bushing | | 4 | | | 35211158290 | \$1.52 | |
| 08 | Return spring BRAKE PEDAL | D=11MM | 1 | | | 35211161587 | \$0.53 | |
| 08 | Return spring CLUTCH PEDAL | D=13MM | 1 | | | 35301165321 | \$0.93 | |
| 09 | Grommet | D=7,5MM | 4 | | | 35411113728 | \$0.57 | |
| 10 | Bracket f stop light and clutch switch | | 1 | | | 35106766127 | \$3.03 | |
| 11 | STOP LIGHT SWITCH | | 1 | | | 61316967601 | \$32.07 | |
| 12 | Module, clutch switch see Image Text Unit | | 1 | 09/2001 | | 61319122700 | \$56.35 | |

3' E46 M3 M sports strng whl,airb.-smart,multifunc

[Steering](#) > [Steering wheel](#)



00080434

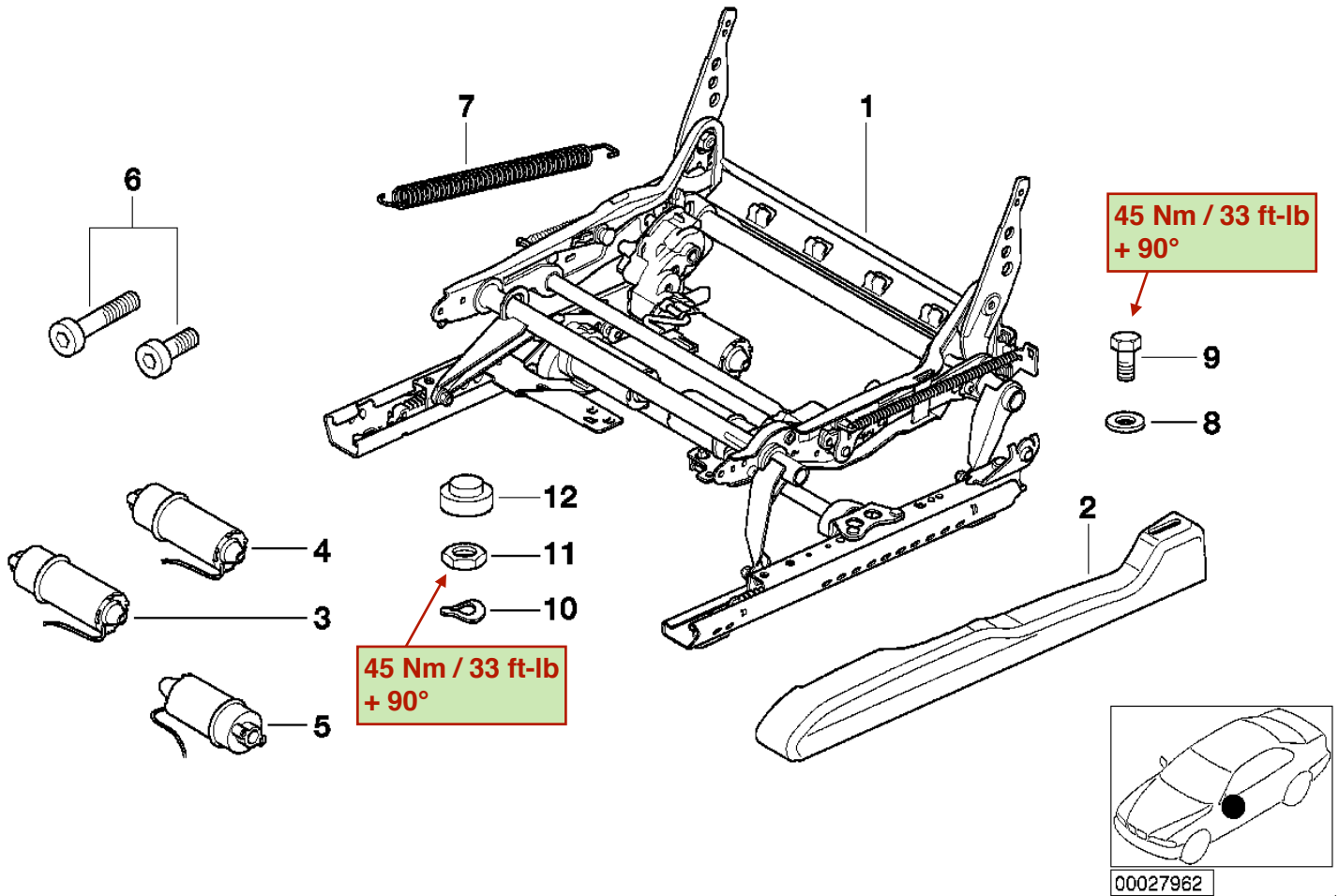
| No. | Description | Supp. | Qty | From | Up To | Part Number | Price | Notes |
|-----|--|-----------------|-----|---------|---------|-----------------------------|----------|-------|
| 01 | M sports strng whl,airb.leath.,multifunc | SCHWARZ/SCHWARZ | 1 | | | 32342282020 | \$511.00 | |
| 02 | Switch, multifunct. steering wheel | | 1 | | | 61316949754 | \$201.78 | +core |
| 03 | M cover | SCHWARZ | 1 | | | 32347833355 | \$141.43 | |
| 04 | Connecting line, airbag / slip ring | | 1 | | | 32301097246 | \$28.75 | |
| 05 | connecting line, steering wheel | | 1 | | | 61318386947 | \$30.43 | |
| 06 | Hex bolt | M4X12 | 6 | | | 32301096838 | \$0.41 | |
| 07 | Hex bolt | M4X15 | 2 | | | 32301096839 | \$0.45 | |
| 08 | PLUG-IN NUT | M4 | 6 | | | 32301096840 | \$2.91 | |
| 09 | HUB CAP, AIRBAG | | 1 | 01/2002 | | 32306757891 | \$771.52 | |
| 09 | Note Repair Manual HUB CAP, AIRBAG | | 1 | | 01/2002 | 32306757891 | \$771.52 | |

Notes

- +core = plus core charge (possibility of a return of the old part)

3' E46 M3 FRONT SEAT RAIL ELECTRICAL/SINGLE PARTS

[Seats](#) > [Front seat](#)

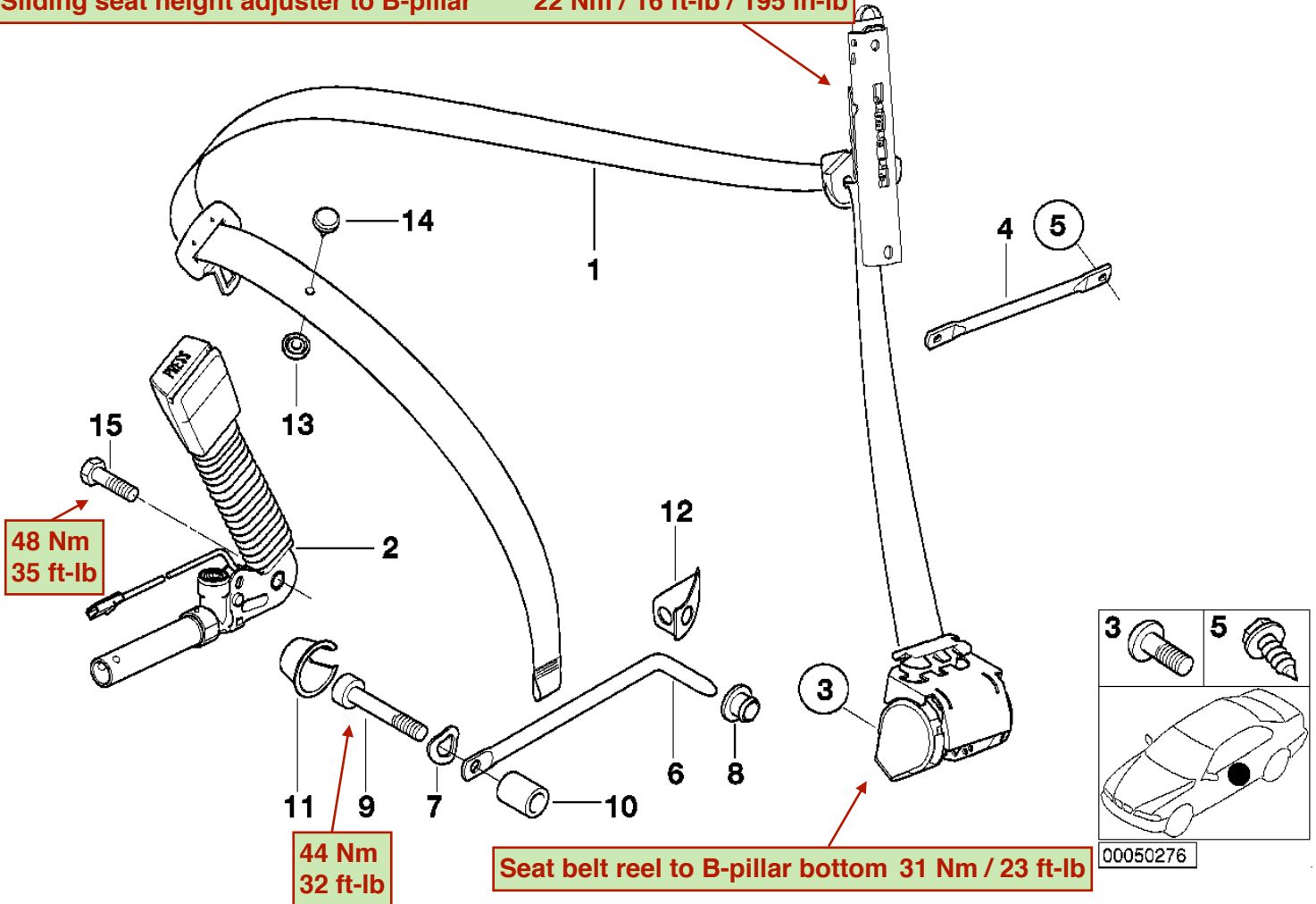


| No. | Description | Supp. | Qty | From | Up To | Part Number | Price | Notes |
|----------|--------------------------------------|-----------|-----|---------|---------|-----------------------------|----------|-------|
| <i>i</i> | Suitable for standard and sport seat | | | | | | | |
| | For vehicles with | | | | | | | |
| | Seat adjuster, electric, with memory | S459A=Yes | | | | | | |
| 01 | Electrical seat mechanism, left | | 1 | | 03/2003 | 52107112669 | \$652.08 | |
| -- | only in conjunction with | | | | | | | |
| -- | WIRING CO-DRIVERS SIDE | | 1 | | 03/2003 | 61117111902 | \$30.85 | |
| 01 | Electrical seat mechanism, right | | 1 | | 03/2003 | 52107112670 | \$652.08 | |
| -- | only in conjunction with | | | | | | | |
| -- | WIRING CO-DRIVERS SIDE | | 1 | | 03/2003 | 61117111902 | \$30.85 | |
| 01 | Electrical seat mechanism, left | | 1 | | 03/2003 | 52107112671 | \$652.08 | |
| -- | only in conjunction with | | | | | | | |
| -- | Wiring drivers side | | 1 | | 03/2003 | 61117111903 | \$62.13 | |
| 01 | Electrical seat mechanism, right | | 1 | 03/2003 | | 52107112670 | \$652.08 | |
| 01 | Electrical seat mechanism, left | | 1 | 03/2003 | | 52107112671 | \$652.08 | |
| | For vehicles with | | | | | | | |
| | Seat adjuster, electric, with memory | S459A=Yes | | | | | | |
| | ONLY APPLIES TO DRIVER'S SIDE | | | | | | | |
| 01 | Electrical seat mechanism, left | | 1 | | 03/2003 | 52108266771 | \$589.73 | ENDED |

3' E46 M3 SAFETY BELT FRONT LEFT

[Restraint system and Accessories](#) > [Safety belt](#)

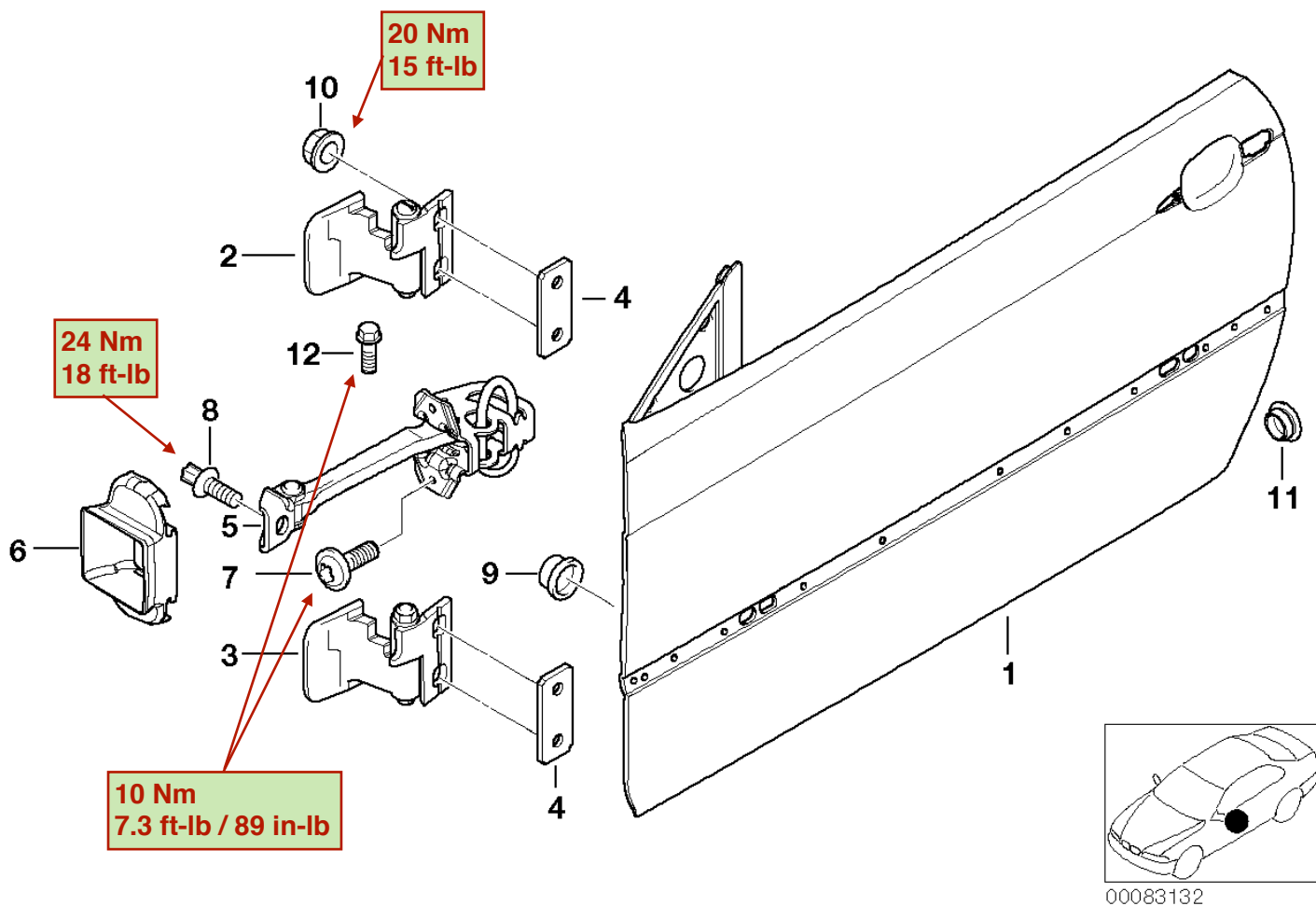
Seat belt to B-pillar sliding anchor 31 Nm / 23 ft-lb
Sliding seat height adjuster to B-pillar 22 Nm / 16 ft-lb / 195 in-lb



| No. | Description | Supp. | Qty | From | Up To | Part Number | Price | Notes |
|-----|---|-----------|-----|---------|---------|-----------------------------|---------|-------|
| | Not suitable for deactivated driver's airbag | | | | | | | |
| 01 | Lft frnt upper belt with force limiter | | 1 | | 12/2001 | 72118207953 | \$98.51 | |
| 01 | Lft frnt upper belt with force limiter | | 1 | 12/2001 | | 72117068243 | \$90.34 | |
| | For vehicles with NATIONAL VERSION JAPAN | L807A=Yes | | | | | | |
| 01 | Lft frnt upper belt with force limiter | | 1 | | | 72117919209 | | |
| | For vehicles with NATIONAL VERSION JAPAN | L807A=Yes | | | | | | |
| | Not suitable for deactivated passenger air bag | | | | | | | |
| 01 | Lft frnt upper belt with force limiter | | 1 | 12/2001 | | 72117068249 | \$98.51 | |
| | For vehicles with NATIONAL VERSION JAPAN | L807A=Yes | | | | | | |
| | Not suitable for deactivated driver's airbag | | | | | | | |
| 01 | Lft frnt upper belt with force limiter | | 1 | | 06/2000 | 72118207953 | \$98.51 | |
| 01 | Lft frnt upper belt with force limiter | | 1 | 06/2000 | 12/2001 | 72117009859 | \$98.51 | |
| 01 | Lft frnt upper belt with force limiter | | 1 | 12/2001 | | 72117068249 | \$98.51 | |

3' E46 M3 FRONT DOOR-HINGE/DOOR BRAKE

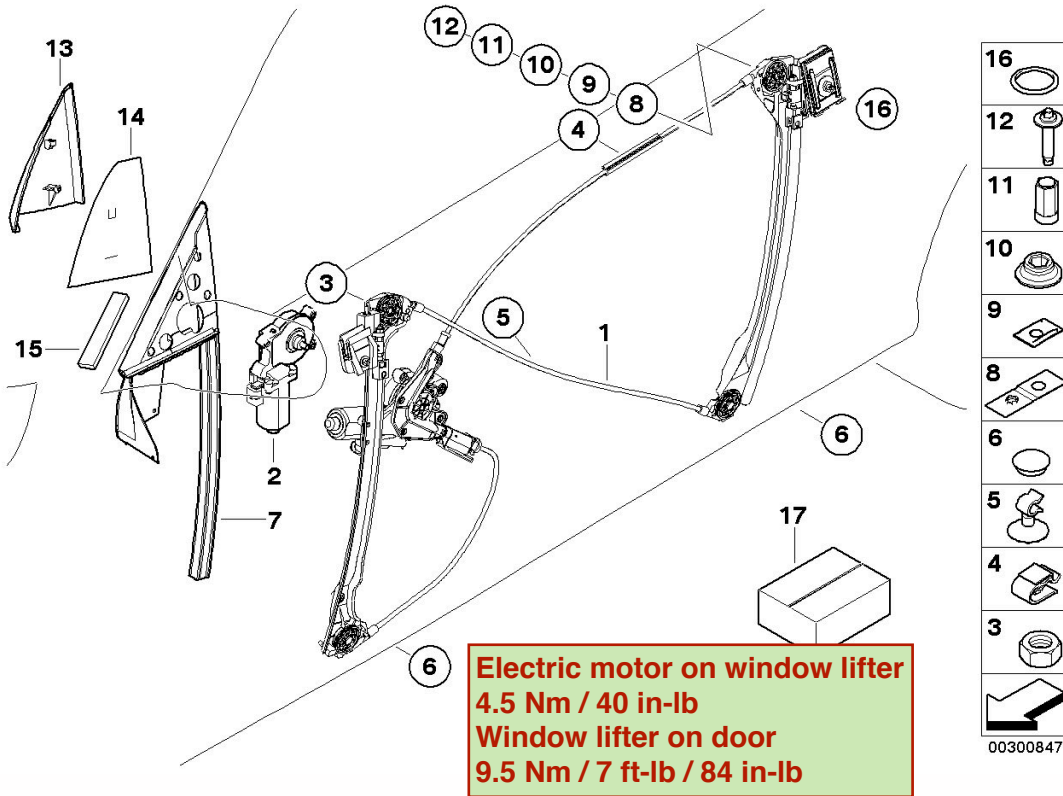
[Bodywork](#) > [Door, front](#)



| No. | Description | Supp. | Qty | From | Up To | Part Number | Price | Notes |
|-----|------------------------------|--------------|-----|---------|-------|-----------------------------|----------|-------|
| 01 | Door front left | | 1 | | | 41517038091 | \$797.46 | |
| 01 | DOOR FRONT RIGHT | | 1 | | | 41517038092 | \$797.46 | |
| 02 | LEFT UPPER FRONT DOOR HINGE | | 1 | | | 41518240079 | \$29.79 | |
| 02 | RIGHT UPPER FRONT DOOR HINGE | | 1 | | | 41518240080 | \$29.79 | |
| 03 | LEFT LOWER FRONT DOOR HINGE | | 1 | | | 41518240081 | \$29.79 | |
| 03 | RIGHT LOWER FRONT DOOR HINGE | | 1 | | | 41518240082 | \$29.79 | |
| 04 | Shim | 1,0MM | X | | | 41517202047 | \$3.02 | |
| 04 | Shim | 0,5MM | X | | | 41518173321 | \$3.02 | |
| 05 | FRONT DOOR BRAKE | | 2 | 06/2000 | | 51217026384 | \$41.45 | |
| 06 | Front door brake gasket | | 2 | | | 51218246870 | \$9.46 | |
| 07 | Torx-bolt with washer | ISA M6X10 | 4 | | | 07147184168 | \$0.62 | |
| 08 | Torx-bolt with washer | ASA M8X22 | 2 | | | 07147248303 | \$0.60 | |
| 09 | Protection cap | SCHWARZ | 2 | | | 51218177670 | \$0.33 | |
| 10 | Hex nut with plate | M8 | 8 | | | 07146970706 | \$1.18 | |
| 11 | Plug | D=8MM | 2 | | | 51218235768 | \$0.39 | |
| 12 | Hex bolt | M6X22-8.8-MK | 4 | | | 07119906263 | \$0.36 | |

3' E46 M3 DOOR WINDOW LIFTING MECHANISM FRONT

[Vehicle trim](#) > [Door, front](#)

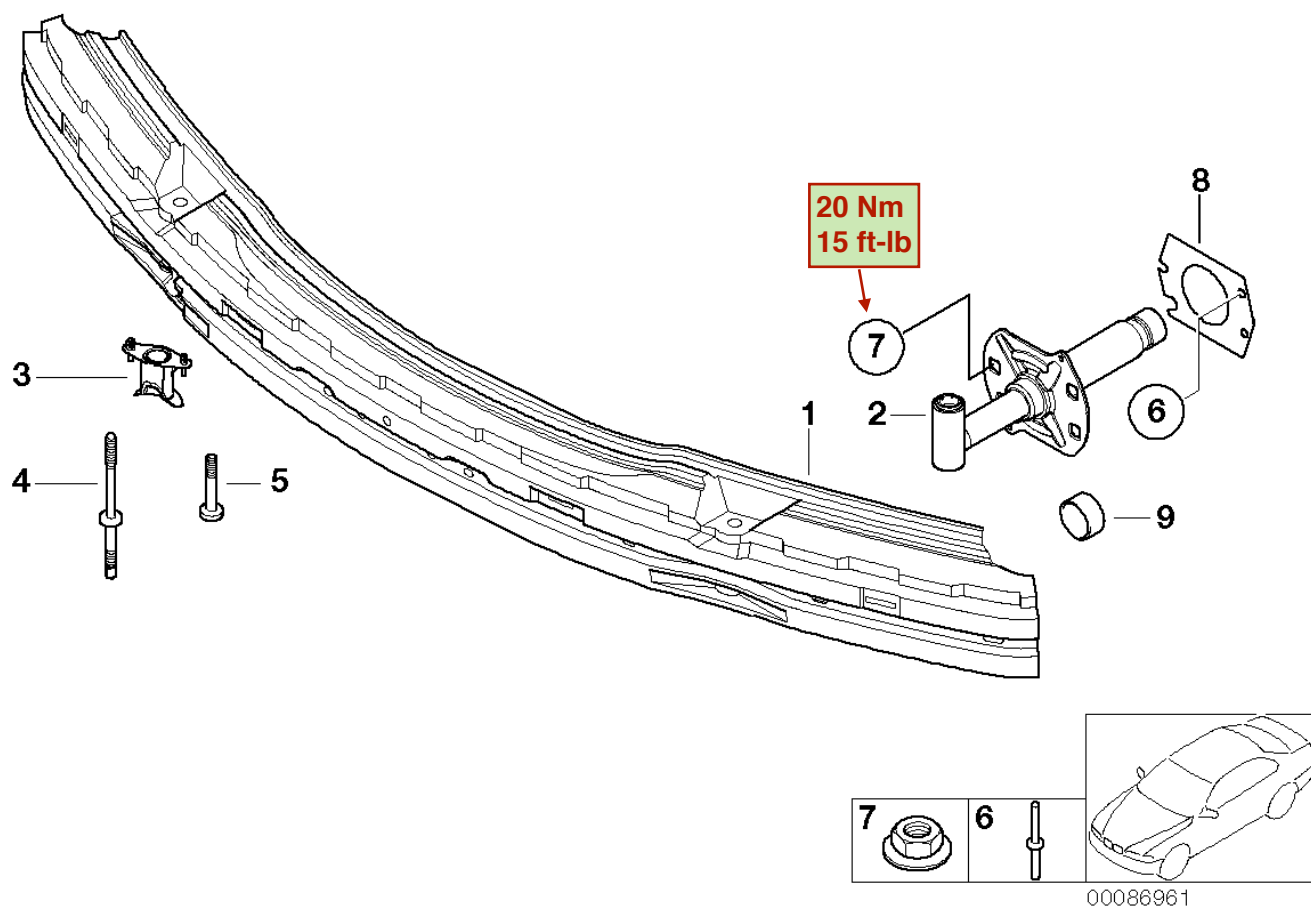


**Electric motor on window lifter
4.5 Nm / 40 in-lb
Window lifter on door
9.5 Nm / 7 ft-lb / 84 in-lb**

| No. | Description | Supp. | Qty | From | Up To | Part Number | Price | Notes |
|-----|---|-----------|-----|---------|-------|-----------------------------|----------|-------|
| 01 | ELECTR.WINDOW LIFTER FRONT LEFT Required for repair | | 1 | | | 51338229105 | \$140.30 | |
| -- | SOUND INSULATING DOOR FRONT LEFT | | 1 | | | 51488204283 | \$35.43 | |
| 01 | ELECTR.WINDOW LIFTER FRONT RIGHT Required for repair | | 1 | | | 51338229106 | \$140.30 | |
| -- | SOUND INSULATING DOOR FRONT RIGHT | | 1 | | | 51488204284 | \$35.43 | |
| | ONLY APPLIES TO DRIVER'S SIDE | | | | | | | |
| 02 | Drive for window lifter | 2-POLIG | 1 | | | 67628362064 | \$147.05 | |
| | ONLY APPLIES TO CO-DRIVERS SIDE | | | | | | | |
| 02 | Drive for window lifter | 2-POLIG | 1 | | | 67628362063 | \$147.05 | |
| 03 | SELF-LOCKING HEX NUT | M6 | 10 | | | 07147153450 | \$0.47 | |
| 04 | Holder | | 2 | 12/2002 | | 61131387626 | \$0.57 | |
| 05 | Cable holder | | 2 | | | 07147075057 | \$1.28 | |
| 06 | Blind plug | D=15MM | 4 | | | 51718170298 | \$0.23 | |
| 06 | Plug | D=4,75 MM | 4 | | | 51718195651 | \$0.26 | |
| 07 | Window guide, left front door | | 1 | | | 51328194735 | \$55.88 | |

3' E46 M3 Carrier, front

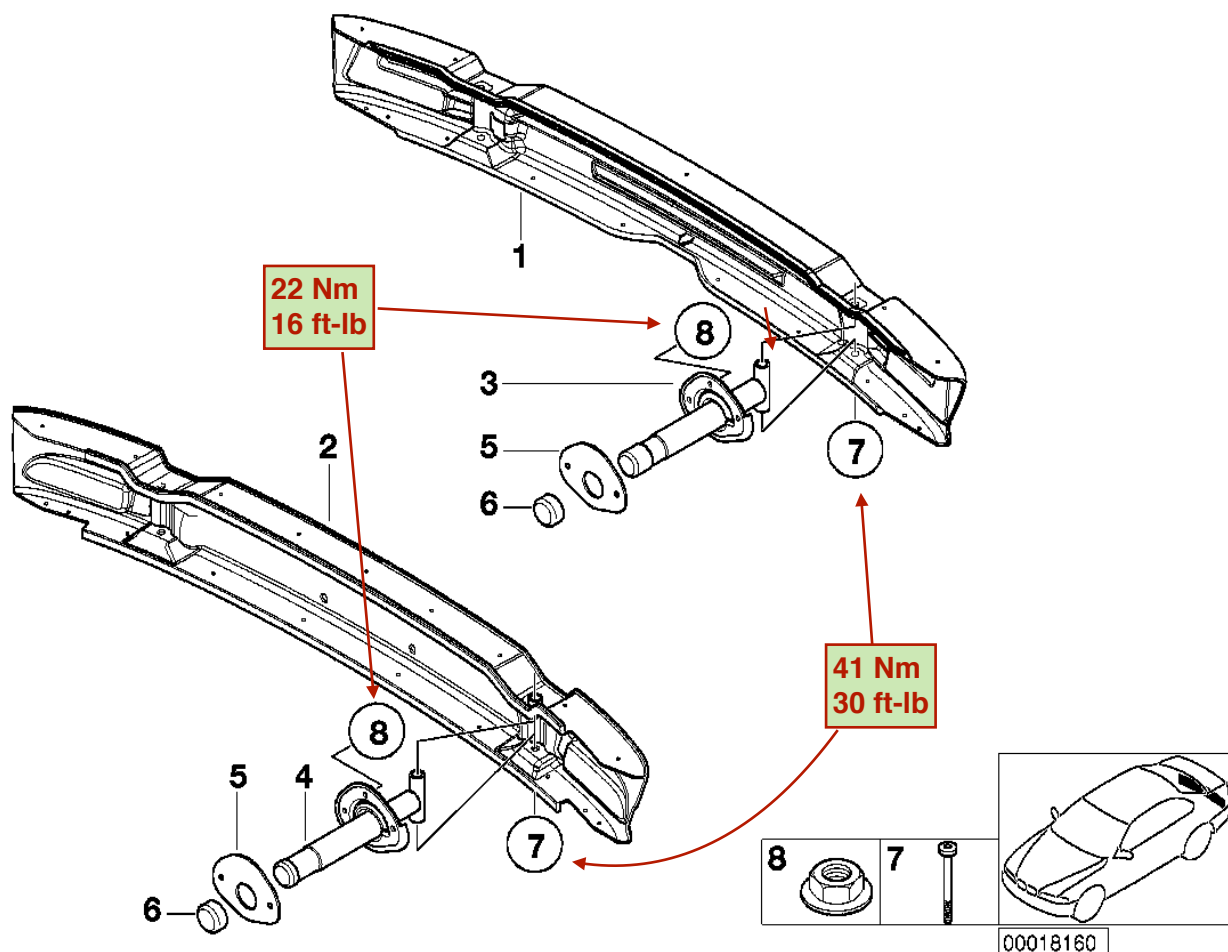
[Vehicle trim](#) > [Bumper, front](#)



| No. | Description | Supp. | Qty | From | Up To | Part Number | Price | Notes |
|---|----------------------------|----------------|-----|------|---------|-----------------------------|----------|-------|
| 01 | Carrier | 4 KM/H | 1 | | 09/2001 | 51118195287 | \$209.47 | |
| For vehicles with National version Korea | | L802A=Yes | | | | | | |
| 01 | Carrier | 8 KM/H = 5 MPH | 1 | | 09/2001 | 51118195300 | \$256.48 | |
| 02 | Shock absorber front left | 4 KM/H | 1 | | 09/2001 | 51118195297 | \$99.88 | |
| 02 | Shock absorber front right | 4 KM/H | 1 | | 09/2001 | 51118195298 | \$99.88 | |
| For vehicles with National version Korea | | L802A=Yes | | | | | | |
| 02 | Shock absorber front left | 8 KM/H = 5 MPH | 1 | | 09/2001 | 51118195301 | \$99.88 | +core |
| 02 | Shock absorber front right | 8 KM/H = 5 MPH | 1 | | 09/2001 | 51118195302 | \$99.88 | +core |
| 03 | Mounting sleeve, left | | 1 | | 09/2001 | 51112695313 | \$3.73 | |
| 03 | Mounting sleeve, right | | 1 | | 09/2001 | 51112695314 | \$3.73 | |
| 04 | ASA-Bolt | | 2 | | | 51117007219 | \$3.58 | |
| 06 | RIVET | 4,8-4A | 4 | | 09/2001 | 07129948781 | \$0.38 | |
| 07 | Hex nut with plate | M8 | 6 | | 09/2001 | 51117070183 | \$0.77 | |
| 08 | Spacer plate | 1.0MM | X | | 09/2001 | 51718245775 | \$3.27 | |
| 09 | Cap, shock absorber | | 2 | | 09/2001 | 51118162553 | \$2.54 | |

3' E46 M3 Carrier, rear

[Vehicle trim](#) > [Bumper, rear](#)



| No. | Description | Supp. | Qty | From | Up To | Part Number | Price | Notes |
|-----|--|-----------------------|-----|------|---------|-----------------------------|----------|-------|
| 01 | Carrier, bumper rear | 4 KM/H | 1 | | 09/2001 | 51128195314 | \$180.55 | |
| | For vehicles with National version Korea | L802A=Yes | | | | | | |
| 02 | Carrier, bumper rear | 8 KM/H = 5 MPH | 1 | | 09/2001 | 51128195324 | \$198.63 | |
| 03 | Shock absorber, rear right only in conjunction with | | 1 | | 09/2001 | 51127055336 | \$90.83 | |
| -- | Shock absorber, rear left | | 1 | | 09/2001 | 51127055335 | \$90.83 | |
| 03 | Shock absorber, rear left only in conjunction with | | 1 | | 09/2001 | 51127055335 | \$90.83 | |
| -- | Shock absorber, rear right | | 1 | | 09/2001 | 51127055336 | \$90.83 | |
| | For vehicles with National version Korea and Towing hitch, detachable | L802A=Yes S235A=No | | | | | | |
| 04 | Shock absorber, rear left | 8 KM/H = 5 MPH | 1 | | 09/2001 | 51128195327 | \$101.23 | |
| 04 | Shock absorber, rear right | 8 KM/H = 5 MPH | 1 | | 09/2001 | 51128195328 | \$101.23 | |
| 05 | Gasket | | 2 | | 09/2001 | 51128254202 | \$1.33 | |
| 07 | Fillister-head screw | | 2 | | 09/2001 | 51117070198 | | |

32 00 Wheel alignment E46 / M3

| | | |
|--|-----------|----------------|
| Observe test conditions | | |
| Front axle: | | |
| Total toe | Texte | 0° 16' ± 7' |
| Camber (difference between left/right max. 30') | | -1° ± 20' |
| Track differential angle with 20° lock on inside wheel | | - 1° 32' ± 30' |
| Caster (difference between left/right max. 30') | | |
| With ± 10° wheel lock | | 7° 25' ± 30' |
| With ± 20° wheel lock | | 7° 40' ± 30' |
| Front wheel displacement | | 0° ± 10' |
| Maximum wheel lock | | |
| Inside wheel | approx. ° | 40.90 |
| Outside wheel | approx. ° | 33.81 |
| Rear axle: | | |
| Total toe | | 0° 22' ± 6' |
| Camber (difference between left/right max. 15') | | - 1° 45' ± 15' |
| Geometrical axis deviation | | 0° ± 4' |

32 00 Wheel Alignment E46 / M3 CSL

| | | |
|--|-----------|---------------|
| Observe test conditions | | |
| Front axle: | | |
| Total toe | | 0° 4' ± 7' |
| Camber (difference between left/right max. 30') | | -1° 45' ± 20' |
| Track differential angle with 20° lock on inside wheel | | -1° 40' ± 30' |
| Caster (difference between left/right max. 30') | | |
| With ± 10° wheel lock | | 7° 34' ± 30' |
| With ± 20° wheel lock | | 7° 48' ± 30' |
| Front wheel displacement | | 0° ± 10' |
| Maximum wheel lock | | |
| Inside wheel | approx. ° | 40.85 |
| Outside wheel | approx. ° | 33.65 |
| Rear axle: | | |
| Total toe | | 0° 4' ± 6' |
| Camber (difference between left/right max. 15') | | -1° 50' ± 15' |
| Geometrical axis deviation | | 0° ± 4' |



| Specifications | M3 Coupé 2000-2006 | M3 Convertible 2000-2006 | M3 CSL 2003 |
|----------------|-----------------------|-----------------------------|----------------|
|----------------|-----------------------|-----------------------------|----------------|

| | | | | |
|----------------------------------|--|---|--|-----------------|
| Body Measurements and Weights | Number of doors | 2 | 2 | 2 |
| | Number of seats | 5 | 4 | 4 |
| | Length/Width/Height (unladen) | mm 4492/1780/1372 | 4492/1780/1372 | 4492/1780/1365 |
| | Wheelbase | mm 2731 | 2731 | 2729 |
| | Track | mm 1508 | 1508 | 1518 |
| | front | mm 1525 | 1525 | 1525 |
| | rear | m 11,0 | 11,0 | 11,0 |
| | Turning cycle | m 11,0 | 11,0 | 11,0 |
| | Tank capacity [1] | l/km 63 | 63 | 63 |
| | Weight, unladen, to DIN [2] | kg 1570 | 1655 | 1385 |
| Max load | kg 505 | 505 | 415 | |
| Max perm weight, overall [2] | kg 2000 | 2000 | 1800 | |
| Max perm trailer load [3] | | | | |
| 12% braked | kg - | - | - | |
| unbraked | kg - | - | - | |
| Perm roof load | kg 75 | 75 | - | |
| Perm trail download | kg - | - | - | |
| Luggage capacity/VDA | l -/410 | -/410 | -/410 | |
| Engine | Config | Straight [4] | Straight [4] | Straight [4] |
| | No of cyls | 6 | 6 | 6 |
| | Engine Technology | MSS 54 | S 54 | MSS 54HP |
| | Capacity | cc 3246 | 3246 | 3246 |
| | Bore/Hub | mm 87,0/91,0 | 87,0/91,0 | 87,0/91,0 |
| | Compression ratio/Fuel grade | :I 11,5/Super Plus | 11,5/Super Plus | 11,5/Super Plus |
| Max output | kW/bhp 252/343 | 252/343 | 265/360 | |
| at | min-1 7900 | 7900 | 7900 | |
| Max torque | Nm 365 | 365 | 370 | |
| at | min-1 4900 | 4900 | 4900 | |
| El. | Battery | Ah 70 | 70 | 55 |
| | Alternator | A/W 120/1260 | 120/1260 | 120/1680 |
| Driving Dynamics/Transmission | Suspension, front | Single-joint spring strut axle with displaced castor; small positive steering roll radius, compensation of transverse forces, anti-dive | | |
| | Suspension, rear | Central-arm axle with longitudinal control arms and double track control arms, anti-squat and anti-dive | | |
| | Brakes, front | Single-piston swing-calliper disc brakes | | |
| | rear | Single-piston swing-calliper disc brakes | | |
| | Overall steering transmission | Rack-and-pinion 19,6:1 | | |
| | Final drive | :I 3,620 | 3,620 | 3,620 |
| | Gear ratios | I :I 4,227 | 4,227 | 4,227 |
| | II | :I 2,528 | 2,528 | 2,528 |
| | III | :I 1,669 | 1,669 | 1,669 |
| | IV | :I 1,226 | 1,226 | 1,226 |
| V | :I 1,000 | 1,000 | 1,000 | |
| VI | :I 0,828 | 0,828 | 0,828 | |
| VII | :I - | - | - | |
| R | :I 3,746 | 3,746 | 3,746 | |
| Tyres | 225/45 ZR 18 | 225/45 ZR 18 | 235/35 ZR 19 | |
| Wheels | 255/40 ZR 18 VA 8J x 18EH/LM HA 9J x 18EH/LM | 255/40 ZR 18 VA 8J x 18EH/LM HA 9J x 18EH/LM | 265/30 ZR 19 VA 8.5Jxbx19EH2IS HA 9.5J x 19EH2IS | |
| Performance | Power-to-weight ratio | kg/kW 5,9 | 5,9 | 5,2 |
| | Output per litre | kg/Nm - | - | - |
| | Litre per power | kW/l 77,6 | 77,6 | 81,6 |
| | Litre/torque | Nm/l - | - | - |
| | Acceleration 0-100 km/h | s 5,2 | 5,5 | 4,9 |
| | Standing-start km 0-1000 m | s 24,2 | 24,8 | 23,5 |
| at dir. Gear 80-120km/h | s -/5,3 | -/5,9 | -/5,0 | |
| Top speed | km/h 250* | 250* | 250 | |
| Fuel con | Transmission 5-Speed / 5-Speed Sport l/100 km | | | |
| | 90 km/h | -/- | -/- | -/- |
| | 120 km/h | -/- | -/- | -/- |
| | Urban | -/- | -/- | -/- |
| | Composite | -/- | -/- | -/- |
| | Transmission / 4-Speed Automatic l/100 km | | | |
| 90km/h | -/17,8 | -/17,9 | -/17,8 | |
| 120 km/h | -/8,4 | -/8,8 | -/8,4 | |
| Urban | -/11,9 | -/12,1 | -/11,9 | |
| Composite | 287/EU3 | 292/EU3 | 287/EU3 | |

[1]With serial transmission, based on average consumption ECE

[2]Unladen weight and maximum permissible total weight with 4-door + 20 kg

[3]Increases are possible under certain conditions

[4]Four-valve technology